

具有三态输出的 SNx4LVCH245A 八路总线收发器

1 特性

- 工作电压范围 1.65V 至 3.6V
- 输入电压高达 5.5V
- 电压为 3.3V 时, t_{pd} 最大值为 6.3ns
- $V_{CC} = 3.3V$, $T_A = 25^\circ C$ 时, V_{OLP} (输出地弹反射) 典型值小于 0.8V
- $V_{CC} = 3.3V$, $T_A = 25^\circ C$ 时, V_{OHV} (输出 V_{OH} 下冲) 典型值大于 2V
- 所有端口 (具有 3.3V V_{CC} 的 5V 输入/输出电压) 均支持混合模式信号运行
- I_{off} 支持带电插入、局部关断模式和后驱动保护
- 总线保持数据输入消除了对外部上拉或下拉电阻的需求
- 锁存性能超过 250mA, 符合 JESD 17 规范
- 静电放电 (ESD) 保护性能超过 JESD 22 规范的要求
 - 2000V 人体放电模型 (A114-A)
 - 200V 机器模型 (A115-A)
- 对于符合 MIL-PRF-38535 标准的产品, 所有参数均经过测试, 除非另外注明。对于所有其他产品, 生产流程不一定包含对所有参数的测试。

2 应用

- 服务器
- PC 和笔记本电脑
- 网络交换机
- 可穿戴健康设备
- 电信基础设施
- 电子销售终端

3 说明

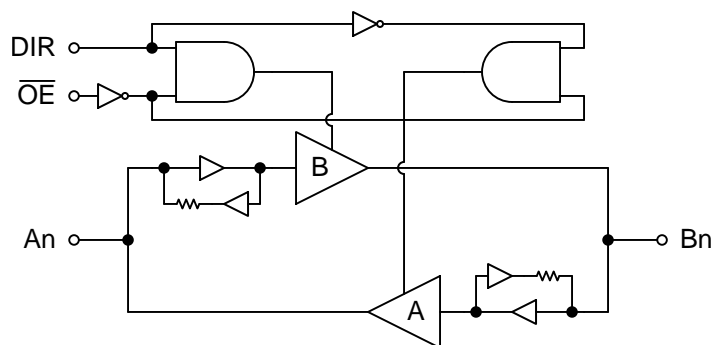
SN54LVCH245A 八路总线收发器专为 2.7V 至 3.6V V_{CC} 操作而设计, SN74LVCH245A 八路总线收发器专为 1.65V 至 3.6V V_{CC} 操作而设计。输入可以由 3.3V 或 5V 器件驱动。此功能允许在混合 3.3V/5V 系统环境中将这些设备用作转换器。

器件信息⁽¹⁾

| 器件编号 | 封装 | 封装尺寸 (标称值) |
|------------------|---------------------------------|------------------|
| SN74LVCH245ADBR | SSOP (20) | 7.20mm × 5.30mm |
| SN74LVCH245ADGVR | TVSOP (20) | 5.00mm × 4.40mm |
| SN74LVCH245ADWR | SOIC (20) | 12.80mm × 7.50mm |
| SN74LVCH245ANSR | SO (20) | 12.60mm × 5.30mm |
| SN74LVCH245APWR | TSSOP (20) | 6.50mm × 4.40mm |
| SN74LVCH245ARGYR | VQFN (20) | 4.50mm × 3.50mm |
| SN74LVCH245AZQNR | BGA MICROSTAR JUNIOR (20) | 4.00mm × 3.00mm |
| SN74LVCH245AZXYR | BGA MICROSTAR JUNIOR (20) | 3.00mm × 2.50mm |

(1) 如需了解所有可用封装, 请参阅数据表末尾的可订购产品附录。

简化原理图



目录

| | | | |
|--|----------|--|-----------|
| 1 特性 | 1 | 6.12 Typical Characteristics | 13 |
| 2 应用 | 1 | 7 Parameter Measurement Information | 14 |
| 3 说明 | 1 | 8 Detailed Description | 16 |
| 4 修订历史记录 | 2 | 8.1 Overview | 16 |
| 5 Pin Configuration and Functions | 4 | 8.2 Functional Block Diagram | 16 |
| 6 Specifications | 7 | 8.3 Feature Description | 16 |
| 6.1 Absolute Maximum Ratings | 7 | 8.4 Device Functional Modes | 18 |
| 6.2 ESD Ratings | 7 | 9 Application and Implementation | 19 |
| 6.3 Recommended Operating Conditions: SN74LVCH245A | 8 | 9.1 Application Information | 19 |
| 6.4 Recommended Operating Conditions: SN54LVCH245A | 9 | 9.2 Typical Application | 19 |
| 6.5 Thermal Information | 9 | 10 Power Supply Recommendations | 20 |
| 6.6 Electrical Characteristics: SN74LVCH245A | 10 | 11 Layout | 21 |
| 6.7 Electrical Characteristics: SN54LVCH245A | 11 | 11.1 Layout Guidelines | 21 |
| 6.8 Switching Characteristics: SN74LVCH245A, –40°C TO 85°C | 12 | 11.2 Layout Example | 21 |
| 6.9 Switching Characteristics: SN74LVCH245A, –40°C TO 125°C | 12 | 12 器件和文档支持 | 22 |
| 6.10 Switching Characteristics: SN54LVCH245A | 13 | 12.1 相关链接 | 22 |
| 6.11 Operating Characteristics | 13 | 12.2 商标 | 22 |
| | | 12.3 静电放电警告 | 22 |
| | | 12.4 术语表 | 22 |
| | | 13 机械、封装和可订购信息 | 22 |

4 修订历史记录

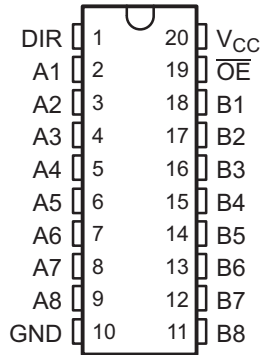
| Changes from Revision P (July 2014) to Revision Q | Page |
|---|------|
| • 已更改 更改了器件型号列以包括特定可订购器件。 | 1 |
| • Removed package name GQN. | 6 |
| • Added ZXY package pinout section. | 6 |
| • Changed Handling Ratings to ESD ratings. | 7 |
| • Deleted storage temperature from ESD Ratings table. | 7 |
| • Changed only include commercial device specifications in this table. | 10 |
| • Added new table for military device specifications. | 11 |
| • 已删除 bulleted list of features. | 16 |
| • 已添加 Output Types, Input Types, Clamp Diode Structure, and Special Features sections. | 16 |

| Changes from Revision O (December 2005) to Revision P | Page |
|---|------|
| • 将文档更新成了新的 TI 数据表标准。 | 1 |
| • 已删除 订购信息表。 | 1 |
| • 更新了 I_{off} 特性项目符号。 | 1 |
| • 已添加 将“军用免责声明”添加到 特性 列表的顺序。 | 1 |
| • 已添加 应用 | 1 |
| • 已添加 添加了器件信息表 | 1 |
| • Added Handling Ratings table. | 7 |
| • Changed MAX operating temperature to 125°C. | 8 |
| • Added Thermal Information table. | 9 |
| • Added –40°C TO 125°C to Electrical Characteristics table | 10 |
| • Added data to –40°C TO 85°C Switching Characteristics table | 12 |
| • Added Switching Characteristics table for –40°C to 125°C for SN74LVCH245A. | 12 |

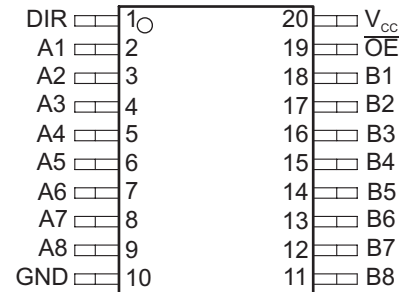
- Added data to Operating Characteristics table. 13
- 已添加 Typical Characteristics..... 13
- 已添加 Detailed Description section. 16
- 已添加 Application and Implementation section. 19

5 Pin Configuration and Functions

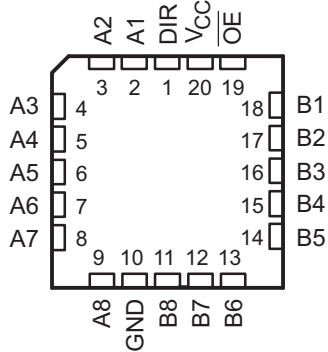
SN54LVCH245A
20-Pin J or W Package
Top View



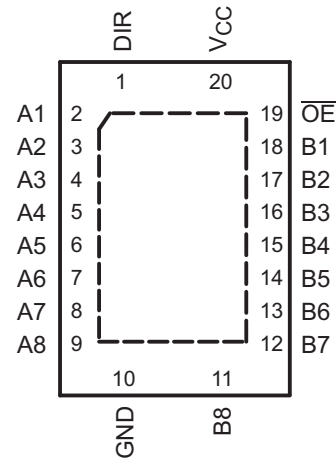
SN74LVCH245A
20-Pin Count DB, DGV, DW, NS or PW Package
Top View



SN54LVCH245A
20-Pin Count FK Package
Top View

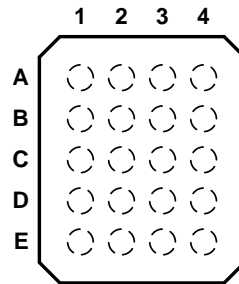


SN74LVCH245A
20-Pin Count RGY Package
Top View

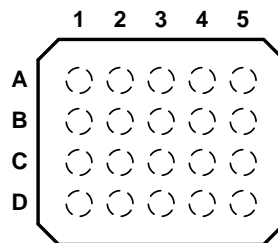


Pin Functions

| PIN | | I/O | DESCRIPTION |
|-----|------------------------|-----|---------------------------|
| NO. | NAME | | |
| 1 | DIR | I | Direction select |
| 2 | A1 | I/O | A1 input or output |
| 3 | A2 | I/O | A2 input or output |
| 4 | A3 | I/O | A3 input or output |
| 5 | A4 | I/O | A4 input or output |
| 6 | A5 | I/O | A5 input or output |
| 7 | A6 | I/O | A6 input or output |
| 8 | A7 | I/O | A7 input or output |
| 9 | A8 | I/O | A8 input or output |
| 10 | GND | — | Ground |
| 11 | Y8 | I/O | Y8 input or output |
| 12 | Y7 | I/O | Y7 input or output |
| 13 | Y6 | I/O | Y6 input or output |
| 14 | Y5 | I/O | Y5 input or output |
| 15 | Y4 | I/O | Y4 input or output |
| 16 | Y3 | I/O | Y3 input or output |
| 17 | Y2 | I/O | Y2 input or output |
| 18 | Y1 | I/O | Y1 input or output |
| 19 | $\overline{\text{OE}}$ | I | Output enable, active low |
| 20 | V _{CC} | — | Positive Supply |

**ZQN PACKAGE
(TOP VIEW)**

Pin Assignments: ZQN Package

| | 1 | 2 | 3 | 4 |
|---|-----|-----|-----------------|-----------------|
| A | A1 | DIR | V _{CC} | \overline{OE} |
| B | A3 | B2 | A2 | B1 |
| C | A5 | A4 | B4 | B3 |
| D | A7 | B6 | A6 | B5 |
| E | GND | A8 | B8 | B7 |

**ZXY PACKAGE
(TOP VIEW)**

Pin Assignments: ZXY Package

| | 1 | 2 | 3 | 4 | 5 |
|---|-----|----|----|----|-----------------|
| A | A7 | A6 | A4 | A2 | DIR |
| B | A8 | A5 | A3 | A1 | V _{CC} |
| C | GND | B6 | B4 | B2 | \overline{OE} |
| D | B8 | B7 | B5 | B3 | B1 |

6 Specifications

6.1 Absolute Maximum Ratings

over operating free-air temperature range (unless otherwise noted)⁽¹⁾

| | | MIN | MAX | UNIT |
|--|-----------|------|----------------|------|
| Supply voltage range, V_{CC} | | -0.5 | 6.5 | V |
| Input voltage range, V_I ⁽²⁾ | | -0.5 | 6.5 | V |
| Voltage range applied to any output in the high-impedance or power-off state, V_O ⁽²⁾ | | -0.5 | 6.5 | V |
| Voltage range applied to any output in the high or low state, V_O ⁽²⁾⁽³⁾ | | -0.5 | $V_{CC} + 0.5$ | V |
| Input clamp current, I_{IK} | $V_I < 0$ | | -50 | mA |
| Output clamp current, I_{OK} | $V_O < 0$ | | -50 | mA |
| Continuous output current, I_O | | | ±50 | mA |
| Continuous current through V_{CC} or GND | | | ±100 | mA |
| Operating virtual junction temperature, T_j | | | 150 | °C |
| Storage temperature range, T_{stg} | | -65 | 150 | °C |

- (1) Stresses beyond those listed under *Absolute Maximum Ratings* may cause permanent damage to the device. These are stress ratings only, and functional operation of the device at these or any other conditions beyond those indicated under *Recommended Operating Conditions* is not implied. Exposure to absolute-maximum-rated conditions for extended periods may affect device reliability.
- (2) The input and output negative-voltage ratings may be exceeded if the input and output current ratings are observed.
- (3) The value of V_{CC} is provided in the *Recommended Operating Conditions* table.

6.2 ESD Ratings

| | | MIN | MAX | UNIT |
|-------------------------------------|--|-----|------|------|
| $V_{(ESD)}$ Electrostatic discharge | Human body model (HBM), per ANSI/ESDA/JEDEC JS-001, all pins ⁽¹⁾ | 0 | 2000 | V |
| | Charged device model (CDM), per JEDEC specification JESD22-C101, all pins ⁽²⁾ | 0 | 1500 | |

- (1) JEDEC document JEP155 states that 500-V HBM allows safe manufacturing with a standard ESD control process.
- (2) JEDEC document JEP157 states that 250-V CDM allows safe manufacturing with a standard ESD control process.

6.3 Recommended Operating Conditions: SN74LVCH245A

 over operating free-air temperature range (unless otherwise noted)⁽¹⁾

| | | MIN | MAX | UNIT | |
|-----------------|------------------------------------|------------------------------------|------------------------|------------------------|----|
| V _{CC} | Supply voltage | Operating | 1.65 | 3.6 | V |
| | | Data retention only | 1.5 | | |
| V _{IH} | High-level input voltage | V _{CC} = 1.65 V to 1.95 V | 0.65 × V _{CC} | | V |
| | | V _{CC} = 2.3 V to 2.7 V | 1.7 | | |
| | | V _{CC} = 2.7 V to 3.6 V | 2 | | |
| V _{IL} | Low-level input voltage | V _{CC} = 1.65 V to 1.95 V | | 0.35 × V _{CC} | V |
| | | V _{CC} = 2.3 V to 2.7 V | | 0.7 | |
| | | V _{CC} = 2.7 V to 3.6 V | | 0.8 | |
| V _I | Input voltage | 0 | 5.5 | V | |
| V _O | Output voltage | High or low state | 0 | V _{CC} | V |
| | | Tri-state | 0 | 5.5 | |
| I _{OH} | High-level output current | V _{CC} = 1.65 V | | –4 | mA |
| | | V _{CC} = 2.3 V | | –8 | |
| | | V _{CC} = 2.7 V | | –12 | |
| | | V _{CC} = 3 V | | –24 | |
| I _{OL} | Low-level output current | V _{CC} = 1.65 V | | 4 | mA |
| | | V _{CC} = 2.3 V | | 8 | |
| | | V _{CC} = 2.7 V | | 12 | |
| | | V _{CC} = 3 V | | 24 | |
| Δt/Δv | Input transition rise or fall rate | | 10 | ns/V | |
| T _A | Operating free-air temperature | –40 | 125 | °C | |

(1) All unused control inputs of the device must be held at V_{CC} or GND to ensure proper device operation. For more information, see the [Implications of Slow or Floating CMOS Inputs](#) application report.

6.4 Recommended Operating Conditions: SN54LVCH245A

 over operating free-air temperature range (unless otherwise noted)⁽¹⁾

| | | MIN | MAX | UNIT | |
|-----------------|------------------------------------|------------------------------------|-----|-----------------|----|
| V _{CC} | Supply voltage | Operating | 2 | 3.6 | V |
| | | Data retention only | 1.5 | | |
| V _{IH} | High-level input voltage | V _{CC} = 1.65 V to 1.95 V | | | V |
| | | V _{CC} = 2.3 V to 2.7 V | | | |
| | | V _{CC} = 2.7 V to 3.6 V | 2 | | |
| V _{IL} | Low-level input voltage | V _{CC} = 1.65 V to 1.95 V | | | V |
| | | V _{CC} = 2.3 V to 2.7 V | | | |
| | | V _{CC} = 2.7 V to 3.6 V | | 0.8 | |
| V _I | Input voltage | 0 | 5.5 | V | |
| V _O | Output voltage | High or low state | 0 | V _{CC} | V |
| | | Tri-state | 0 | 5.5 | |
| I _{OH} | High-level output current | V _{CC} = 1.65 V | | | mA |
| | | V _{CC} = 2.3 V | | | |
| | | V _{CC} = 2.7 V | | -12 | |
| | | V _{CC} = 3 V | | -24 | |
| I _{OL} | Low-level output current | V _{CC} = 1.65 V | | | mA |
| | | V _{CC} = 2.3 V | | | |
| | | V _{CC} = 2.7 V | | 12 | |
| | | V _{CC} = 3 V | | 24 | |
| Δt/Δv | Input transition rise or fall rate | | 10 | ns/V | |
| T _A | Operating free-air temperature | -55 | 125 | °C | |

(1) All unused control inputs of the device must be held at V_{CC} or GND to ensure proper device operation. For more information, see the [Implications of Slow or Floating CMOS Inputs](#) application report.

6.5 Thermal Information

| THERMAL METRIC ⁽¹⁾ | SN74LVCH245A | | | | | | | | UNIT | |
|-------------------------------|--|------|-------|------|------|-------|------|-------|-------|------|
| | DB | DGV | DW | NS | PW | RGY | ZQN | ZXY | | |
| | 20 PINS | | | | | | | | | |
| R _{θJA} | Junction-to-ambient thermal resistance | 94.5 | 114.7 | 88.3 | 74.7 | 102.5 | 41.4 | 129.3 | 123.5 | °C/W |
| R _{θJC(top)} | Junction-to-case (top) thermal resistance | 56.2 | 29.8 | 51.1 | 40.5 | 35.9 | 47.7 | 75.3 | 58.9 | |
| R _{θJB} | Junction-to-board thermal resistance | 49.7 | 56.2 | 50.9 | 42.3 | 53.5 | 17.1 | 77.6 | 74.8 | |
| ψ _{JT} | Junction-to-top characterization parameter | 18.1 | 0.8 | 20.0 | 14.3 | 2.2 | 1.4 | 2.6 | 2.0 | |
| ψ _{JB} | Junction-to-board characterization parameter | 49.2 | 55.5 | 50.5 | 41.9 | 52.9 | 17.1 | 73.2 | 74.4 | |
| R _{θJC(bot)} | Junction-to-case (bottom) thermal resistance | n/a | n/a | n/a | n/a | n/a | 9.8 | n/a | n/a | |

(1) For more information about traditional and new thermal metrics, see the [IC Package Thermal Metrics](#) application report.

6.6 Electrical Characteristics: SN74LVCH245A

over recommended operating free-air temperature range (unless otherwise noted)

| PARAMETER | TEST CONDITIONS | V _{CC} | –40°C TO 85°C | | | –40°C TO 125°C | | | UNIT | |
|--|--|--------------------|-----------------------|--------------------|------|-----------------------|--------------------|-----|------|----|
| | | | MIN | TYP ⁽¹⁾ | MAX | MIN | TYP ⁽¹⁾ | MAX | | |
| V _{OH} High-level output voltage | I _{OH} = –100 μA | 1.65 V to 3.6 V | V _{CC} – 0.2 | | | V _{CC} – 0.2 | | | V | |
| | I _{OH} = –4 mA | 1.65 V | 1.2 | | | 1.2 | | | | |
| | I _{OH} = –8 mA | 2.3 V | 1.7 | | | 1.7 | | | | |
| | I _{OH} = –12 mA | 2.7 V | 2.2 | | | 2.2 | | | | |
| | I _{OH} = –24 mA | 3 V | 2.4 | | | 2.4 | | | | |
| V _{OL} Low-level output voltage | I _{OL} = 100 μA | 1.65 V to 3.6 V | 0.2 | | | 0.20 | | | V | |
| | I _{OL} = 4 mA | 1.65 V | 0.45 | | | 0.45 | | | | |
| | I _{OL} = 8 mA | 2.3 V | 0.7 | | | 0.7 | | | | |
| | I _{OL} = 12 mA | 2.7 V | 0.4 | | | 0.4 | | | | |
| | I _{OL} = 24 mA | 3 V | 0.55 | | | 0.55 | | | | |
| I _I Input current | Control inputs: V _I = 0 to 5.5 V | 3.6 V | ±5 | | | ±5 | | | μA | |
| I _{off} Input and output power-off leakage current | V _I or V _O = 5.5 V | 0 V | ±10 | | | ±20 | | | μA | |
| I _{I(hold)} Input hold current | V _I = 0.58 V | 1.65 V | 25 | | | 25 | | | μA | |
| | V _I = 1.07 V | | –25 | | | –25 | | | | |
| | V _I = 0.7 V | 2.3 V | 45 | | | 45 | | | | |
| | V _I = 1.7 V | | –45 | | | –45 | | | | |
| | V _I = 0.8 V | 3 V | 75 | | | 75 | | | | |
| | V _I = 2 V | | –75 | | | –75 | | | | |
| V _I = 0 to 3.6 V ⁽²⁾ | 3.6 V | ±500 | | | ±500 | | | | | |
| I _{OZ} ⁽³⁾ High-impedance state output current | V _O = 0 V or (V _{CC} to 5.5 V) | 2.3 V to 3.6 V | ±5 | | | ±15 | | | μA | |
| I _{CC} Supply current | V _I = V _{CC} or GND | I _O = 0 | 3.6 V | 10 | | | 10 | | | μA |
| | 3.6 V ≤ V _I ≤ 5.5 V ⁽⁴⁾ | I _O = 0 | 3.6 V | 10 | | | 10 | | | |
| ΔI _{CC} Supply-current change | One input at V _{CC} – 0.6 V, other inputs at V _{CC} or GND | 2.7 V to 3.6 V | 500 | | | 500 | | | μA | |
| C _I Input capacitance | Control inputs: V _I = V _{CC} or GND | 3.3 V | 4 | | | | | | pF | |
| C _{io} Input and output capacitance | A or B port: V _O = V _{CC} or GND | 3.3 V | 5.50 | | | | | | pF | |

 (1) All typical values are V_{CC} = 3.3 V, T_A = 25°C.

(2) The bus-hold maximum dynamic current requirement to switch the input from one state to another state.

 (3) For the total leakage current in an I/O port, see the I_{I(hold)} specification for the input voltage condition 0 V < V_I < V_{CC}, and the I_{OZ} specification for the input voltage conditions V_I = 0 V or V_I = V_{CC} to 5.5 V. A bus-hold current with an input voltage greater than V_{CC} is negligible.

(4) This only applies when in a disabled state.

6.7 Electrical Characteristics: SN54LVCH245A

over recommended operating free-air temperature range (unless otherwise noted)

| PARAMETER | TEST CONDITIONS | V _{CC} | MIN | TYP ⁽¹⁾ | MAX | UNIT | |
|--|--|--------------------|-----------------------|--------------------|-----|------|----|
| V _{OH} High-level output voltage | I _{OH} = –100 μA | 2.7 V to 3.6 V | V _{CC} – 0.2 | | | V | |
| | I _{OH} = –12 mA | 2.7 V | 2.2 | | | | |
| | | 3 V | 2.4 | | | | |
| | | 3 V | 2.2 | | | | |
| V _{OL} Low-level output voltage | I _{OL} = 100 μA | 2.7 V to 3.6 V | 0.2 | | | V | |
| | I _{OL} = 12 mA | 2.7 V | 0.4 | | | | |
| | I _{OL} = 24 mA | 3 V | 0.55 | | | | |
| I _i Input current | Control inputs: V _i = 0 to 5.5 V | 3.6 V | ±5 | | | μA | |
| I _{i(hold)} Input hold current | V _i = 0.8 V | 3 V | 75 | | | μA | |
| | V _i = 2 V | | –75 | | | | |
| | V _i = 0 to 3.6 V ⁽²⁾ | 3.6 V | ±500 | | | | |
| I _{OZ} ⁽³⁾ High-impedance state output current | V _O = 0 V or (V _{CC} to 5.5 V) | 2.3 V to 3.6 V | ±15 | | | μA | |
| I _{CC} Supply current | V _i = V _{CC} or GND | I _O = 0 | 3.6 V | 10 | | | μA |
| | 3.6 V ≤ V _i ≤ 5.5 V ⁽⁴⁾ | I _O = 0 | 3.6 V | 10 | | | |
| ΔI _{CC} Supply-current change | One input at V _{CC} – 0.6 V, other inputs at V _{CC} or GND | 2.7 V to 3.6 V | 500 | | | μA | |
| C _i Input capacitance | Control inputs: V _i = V _{CC} or GND | 3.3 V | 4 | | | 12 | pF |
| C _{io} Input and output capacitance | A or B port: V _O = V _{CC} or GND | 3.3 V | 5.5 | | | 12 | pF |

(1) All typical values are V_{CC} = 3.3 V, T_A = 25°C.

(2) The bus-hold maximum dynamic current requirement to switch the input from one state to another state.

(3) For the total leakage current in an I/O port, see the I_{i(hold)} specification for the input voltage condition 0 V < V_i < V_{CC}, and the I_{OZ} specification for the input voltage conditions V_i = 0 V or V_i = V_{CC} to 5.5 V. A bus-hold current with an input voltage greater than V_{CC} is negligible.

(4) This only applies when in a disabled state.

6.8 Switching Characteristics: SN74LVCH245A, –40°C TO 85°C

 over recommended operating free-air temperature range (unless otherwise noted) (see [Parameter Measurement Information](#))

| PARAMETER | TEST CONDITIONS | $V_{CC} = 1.8\text{ V} \pm 0.15\text{ V}$ | | $V_{CC} = 2.5\text{ V} \pm 0.2\text{ V}$ | | $V_{CC} = 2.7\text{ V}$ | | $V_{CC} = 3.3\text{ V} \pm 0.3\text{ V}$ | | UNIT |
|-------------|---|---|------|--|------|-------------------------|-----|--|-----|------|
| | | MIN | MAX | MIN | MAX | MIN | MAX | MIN | MAX | |
| t_{pd} | Propagation delay time Input A or B to B or A output | | 12.7 | | 8.3 | | 7.3 | 1.5 | 6.3 | ns |
| t_{en} | Enable time Input \overline{OE} to A or B output | | 15.3 | | 10.5 | | 9.5 | 1.5 | 8.5 | ns |
| t_{dis} | Disable time Input \overline{OE} to A or B output | | 17 | | 9.5 | | 8.5 | 1.5 | 7.5 | ns |
| $t_{sk(o)}$ | Output skew | | 1 | | 1 | | 1 | | 1 | ns |

6.9 Switching Characteristics: SN74LVCH245A, –40°C TO 125°C

 over recommended operating free-air temperature range (unless otherwise noted) (see [Parameter Measurement Information](#))

| PARAMETER | TEST CONDITIONS | $V_{CC} = 1.8\text{ V} \pm 0.15\text{ V}$ | | $V_{CC} = 2.5\text{ V} \pm 0.2\text{ V}$ | | $V_{CC} = 2.7\text{ V}$ | | $V_{CC} = 3.3\text{ V} \pm 0.3\text{ V}$ | | UNIT |
|-------------|--|---|------------------|--|------|-------------------------|------|--|------|------|
| | | MIN | MAX | MIN | MAX | MIN | MAX | MIN | MAX | |
| t_{pd} | Propagation delay time Input A or B to B or A output | | 13.7 | | 9.1 | | 7.8 | 1.5 | 6.7 | ns |
| t_{en} | Enable time Input \overline{OE} to A or B output | | 16.8 | | 12 | | 10 | 1.5 | 9.1 | ns |
| t_{dis} | Disable time Input \overline{OE} to A or B output | | 18 | | 10.5 | | 8.7 | 1.5 | 7.8 | ns |
| t_{PLH} | Propagation delay time (low-level to high-level output) Input A to Y output $C_L = 50\text{ pF}$ | 5.4 | 7.5 | 1 | 8.5 | 1 | 8.5 | 1 | 9.5 | ns |
| t_{PHL} | Propagation delay time (high-level to low-level output) Input A to Y output $C_L = 50\text{ pF}$ | 5.4 | 7.5 | 1 | 8.5 | 1 | 8.5 | 1 | 9.5 | |
| t_{PZH} | Enable time (to high level) Input \overline{OE} to Y output $C_L = 50\text{ pF}$ | 6.2 | 9.3 | 1 | 10.5 | 1 | 10.5 | 1 | 11.5 | ns |
| t_{PZL} | Enable time (to low level) Input \overline{OE} to Y output $C_L = 50\text{ pF}$ | 6.2 | 9.3 | 1 | 10.5 | 1 | 10.5 | 1 | 11.5 | |
| t_{PHZ} | Disable time (to high level) Input \overline{OE} to Y output $C_L = 50\text{ pF}$ | 6.7 | 9.2 | 1 | 10.5 | 1 | 10.5 | 1 | 11 | ns |
| t_{PLZ} | Disable time (to low level) Input \overline{OE} to Y output $C_L = 50\text{ pF}$ | 6.7 | 9.2 | 1 | 10.5 | 1 | 10.5 | 1 | 11 | |
| $t_{sk(o)}$ | Output skew $C_L = 50\text{ pF}$ | | 1 ⁽¹⁾ | | 1 | | 1 | | 1 | ns |

(1) With products compliant to MIL-PRF-38535, this parameter does not apply.

6.10 Switching Characteristics: SN54LVCH245A

over recommended operating free-air temperature range (unless otherwise noted) (see [Parameter Measurement Information](#))

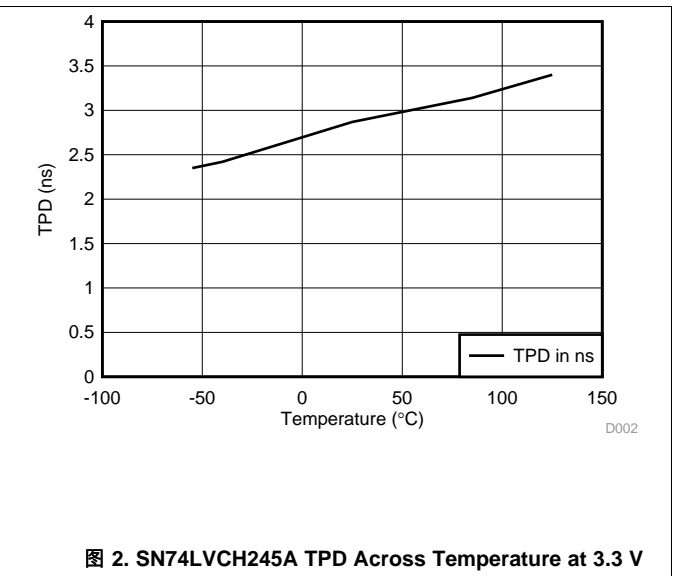
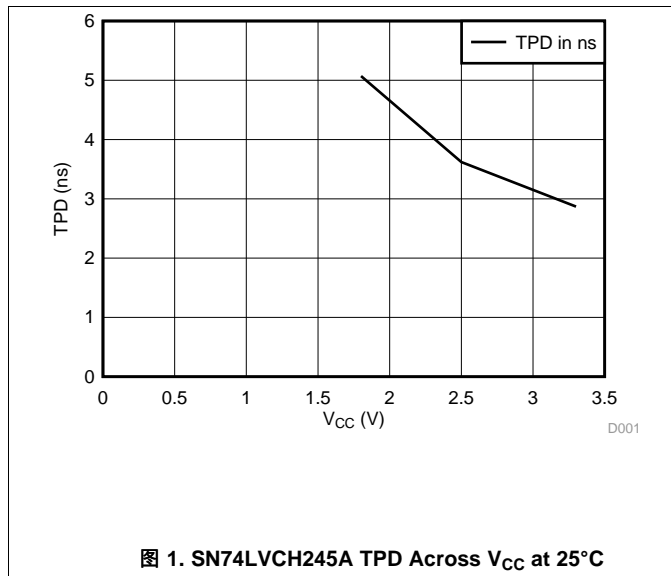
| PARAMETER | TEST CONDITIONS | V _{CC} = 2.7 V | | V _{CC} = 3.3 V ± 0.3 V | | UNIT |
|------------------|------------------------|--|-----|---------------------------------|-----|------|
| | | MIN | MAX | MIN | MAX | |
| t _{pd} | Propagation delay time | Input A or B to B or A output | | 1 | 7 | ns |
| t _{en} | Enable time | Input \overline{OE} to A or B output | | 1 | 8.5 | ns |
| t _{dis} | Disable time | Input \overline{OE} to A or B output | | 1 | 7.5 | ns |

6.11 Operating Characteristics

T_A = 25°C

| PARAMETER | TEST CONDITIONS | V _{CC} = 1.8 V | V _{CC} = 2.5 V | V _{CC} = 3.3 V | UNIT |
|-----------------|---|-------------------------|-------------------------|-------------------------|------|
| | | TYP | TYP | TYP | |
| C _{pd} | Power dissipation capacitance per transceiver f = 10 MHz | Outputs enabled | 43 | 47 | pF |
| | | Outputs disabled | 1 | 2 | |

6.12 Typical Characteristics



7 Parameter Measurement Information

- (1) C_L includes probe and jig capacitance.

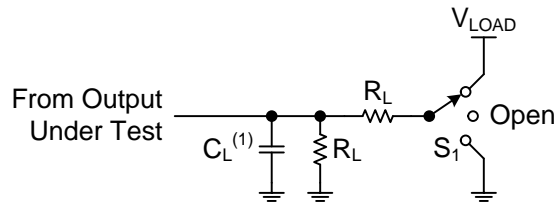


图 3. Load Circuit

表 1. Test Load Switch Position

| TEST | S ₁ |
|-------------------------------------|-------------------|
| t _{PLH} / t _{PHL} | Open |
| t _{PLZ} / t _{PZL} | V _{LOAD} |
| t _{PHZ} / t _{PZH} | GND |

表 2. Test and Measurement Conditions

| V _{CC} | INPUTS | | V _M | V _{LOAD} | C _L | R _L | V _Δ |
|-----------------|-----------------|--------------------------------|---------------------|---------------------|----------------|----------------|----------------|
| | V _I | t _r /t _f | | | | | |
| 1.8 V ± 0.15 V | V _{CC} | ≤ 2 ns | V _{CC} / 2 | 2 × V _{CC} | 30 pF | 1 kΩ | 0.15 V |
| 2.5 V ± 0.2 V | V _{CC} | ≤ 2 ns | V _{CC} / 2 | 2 × V _{CC} | 30 pF | 500 Ω | 0.15 V |
| 2.7 V | 2.7 V | ≤ 2.5 ns | 1.5 V | 6 V | 50 pF | 500 Ω | 0.3 V |
| 3.3 V ± 0.3 V | 2.7 V | ≤ 2.5 ns | 1.5 V | 6 V | 50 pF | 500 Ω | 0.3 V |

- (1) Waveform 1 is for an output with internal conditions such that the output is low, except when disabled by the output control. Waveform 2 is for an output with internal conditions such that the output is high, except when disabled by the output control.

- (2) t_{PZL} and t_{PZH} are the same as t_{en}.
 (3) t_{PLZ} and t_{PHZ} are the same as t_{dis}.

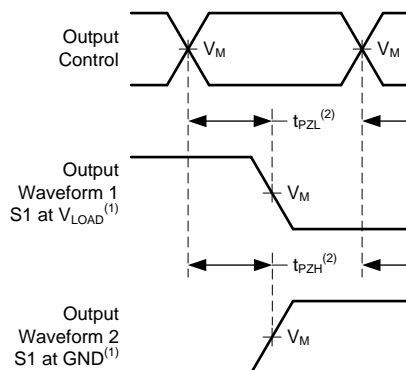


图 4. Voltage Waveforms Enable and Disable Times Low- and High-Level Enabling

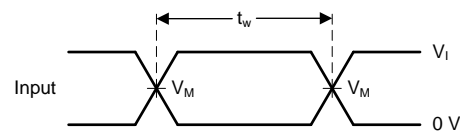


图 5. Voltage Waveforms Pulse Duration

- (1) t_{PLH} and t_{PHL} are the same as t_{pd}.

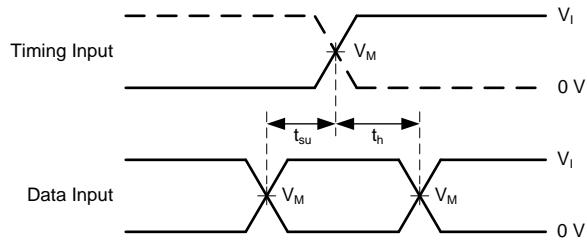


图 6. Voltage Waveforms Setup and Hold Times

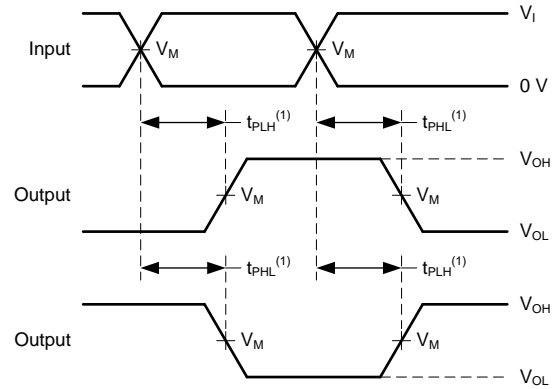


图 7. Voltage Waveforms Propagation Delay Times Inverting and Noninverting Outputs

8 Detailed Description

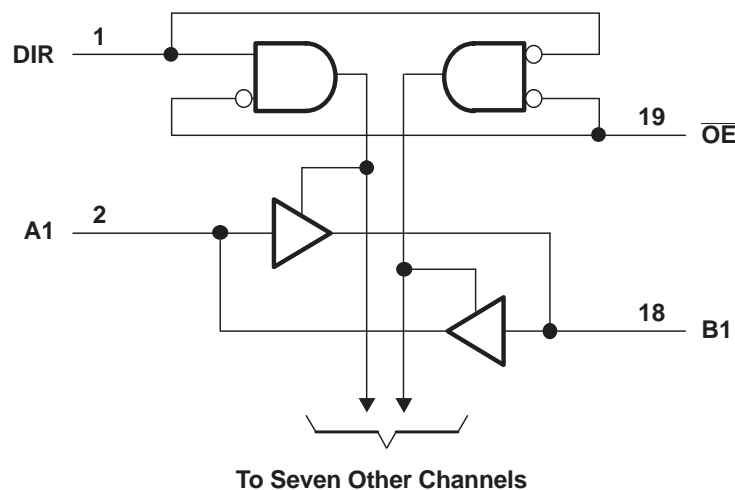
8.1 Overview

The SN54LVCH245A octal bus transceiver is designed for a 2.7-V to 3.6-V V_{CC} operation, and the SN74LVCH245A octal bus transceiver is designed for a 1.65-V to 3.6-V V_{CC} operation. Inputs can be driven from either the 3.3-V or 5-V devices. This feature allows the use of these devices as translators in a mixed 3.3-V or 5-V system environment.

These devices are designed for asynchronous communication between data buses. These devices transmit data from the A bus to the B bus or from the B bus to the A bus, depending on the logic level at the direction-control (DIR) input. The output-enable (\overline{OE}) input can be used to disable the device, so the buses are effectively isolated.

These devices are fully specified for partial-power-down applications using I_{off} . The I_{off} circuitry disables the outputs which prevents damaging current backflow through the devices when they are powered down. To ensure the high-impedance state during power up or power down, \overline{OE} should be tied to V_{CC} through a pullup resistor; the minimum value of the resistor is determined by the current-sinking capability of the driver. Active bus-hold circuitry is provided to hold unused or floating data inputs at a valid logic level. The bus-hold circuitry is part of the input circuit and is not disabled by \overline{OE} or DIR, so use of pullup or pulldown resistors with the bus-hold circuitry is not recommended.

8.2 Functional Block Diagram



8.3 Feature Description

8.3.1 Balanced High-Drive CMOS Push-Pull Outputs

A balanced output allows the device to sink and source similar currents. The high drive capability of this device creates fast edges into light loads, so routing and load conditions should be taken into consideration to prevent ringing. Additionally, the outputs of this device are capable of driving larger currents than the device can sustain without being damaged. The power output of the device must be limited to avoid thermal runaway and damage caused by over-current. Follow the electrical and thermal limits defined in the [Absolute Maximum Ratings](#) at all times.

8.3.2 Standard CMOS Inputs

Standard CMOS inputs are high impedance, and these inputs are typically modeled as a resistor in parallel with the input capacitance given in the [Electrical Characteristics: SN74LVCH245A](#). The worst case resistance is calculated with the maximum input voltage, given in the [Absolute Maximum Ratings](#), and the maximum input leakage current, given in the [Electrical Characteristics: SN74LVCH245A](#), using ohm's law ($R = V \div I$).

Feature Description (接下页)

Signals applied to the inputs need to have fast edge rates, as defined by $\Delta t/\Delta v$ in [Recommended Operating Conditions: SN54LVCH245A](#) to avoid excessive current consumption and oscillations. If a slow or noisy input signal is required, a device with a Schmitt-trigger input should be used to condition the input signal prior to the standard CMOS input.

8.3.3 Negative Clamping Diodes

The inputs and outputs to this device have negative clamping diodes as depicted in [图 8](#).

CAUTION

Voltages beyond the values specified in the [Absolute Maximum Ratings](#) table can cause damage to the device. The input negative-voltage and output voltage ratings may be exceeded if the input and output clamp-current ratings are observed.

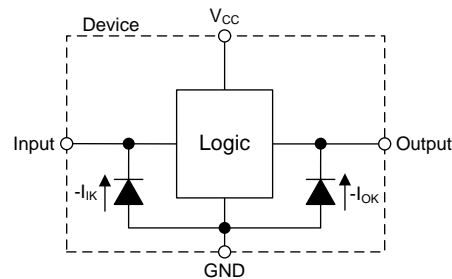


图 8. Electrical Placement of Clamping Diodes for Each Input and Output

8.3.4 Bus-Hold Data Inputs

Each data input on this device includes a weak latch that maintains a valid logic level on the input. The state of these latches is unknown at startup and remains unknown until the input has been forced to a valid high or low state. After data has been sent through a channel, the latch then maintains the previous state on the input if the line is left floating.

注

It is highly recommended to not use pull-up or pull-down resistors together with a bus-hold input.

Bus-hold data inputs prevent floating inputs on this device. The [Implications of Slow or Floating CMOS Inputs application report](#) explains the problems associated with leaving CMOS inputs floating.

These latches remain active at all times, independent of output disable signals such as direction selection or output enables.

The [Bus-Hold Circuit application report](#) has additional details regarding bus-hold inputs.

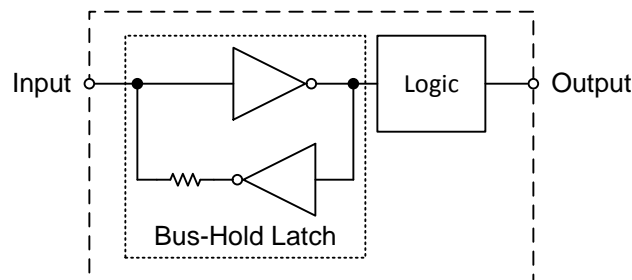


图 9. Simplified Schematic For Device With Bus-Hold Data Inputs

Feature Description (接下页)

8.3.5 Partial Power Down (I_{off})

The inputs and outputs for this device enter a high-impedance state when the supply voltage is 0 V. The maximum leakage into or out of any input or output pin on the device is specified by I_{off} in the [Electrical Characteristics: SN74LVCH245A](#).

8.3.6 Over-voltage Tolerant Inputs

Input signals to this device can be driven above the supply voltage, as long as the input signals remain below the maximum input voltage value specified in the [Recommended Operating Conditions: SN54LVCH245A](#).

8.3.7 Output Enable

This device has an output enable (OE) pin that functions according to . When the outputs of the device are disabled, they are placed into a high impedance state where it will neither source nor sink current. High-impedance outputs are also commonly referred to as three-state or tri-state outputs. The maximum leakage for the output in this state is defined by I_{OZ} in the [Electrical Characteristics: SN74LVCH245A](#) table.

8.4 Device Functional Modes

表 3. Function Table

| INPUTS | | OPERATION |
|-----------------|-----|-----------------|
| \overline{OE} | DIR | |
| L | L | B data to A bus |
| L | H | A data to B bus |
| H | X | Isolation |

9 Application and Implementation

9.1 Application Information

The SN74LVCH245A device is a high-drive CMOS device with bus-hold inputs that can be used for a multitude of bus interface type applications where the data needs to be transmitted and received. The device's output can produce 24 mA of drive current at 3.3 V. Therefore, this device is ideal for driving multiple outputs and for high-speed applications up to 100 MHz. The inputs are 5.5-V tolerant which allows the devices to translate down to V_{CC} .

Figure 10 shows a typical down-translation application in which the device is being used with a fixed direction to reduce an 8-bit 5-V bus to an 8-bit 1.8-V bus.

Figure 11 shows a typical application in which a bus must switch directions for data transfer between a master and a slave device. The SN74LVCH245A allows either V_{CC1} or V_{CC3} to be shut down completely because it has bus-hold inputs that maintains valid states on the floating lines. In this example, V_{CC1} , V_{CC2} , and V_{CC3} all have the same value, but each supply can be delivered by a separate source.

Figure 12 shows a functional diagram for a single channel of the device, including the bus-hold, direction, and output enable logic components. When the direction is set as 'A to B,' the buffer labeled 'A' is disabled and the buffer labeled 'B' is enabled. When the direction is set as 'B to A,' the buffer labeled 'B' is disabled and the buffer labeled 'A' is enabled. When the output enable pin is deasserted, the buffers labeled 'A' and 'B' are both disabled. The bus-hold circuitry remains active at all times.

9.2 Typical Application

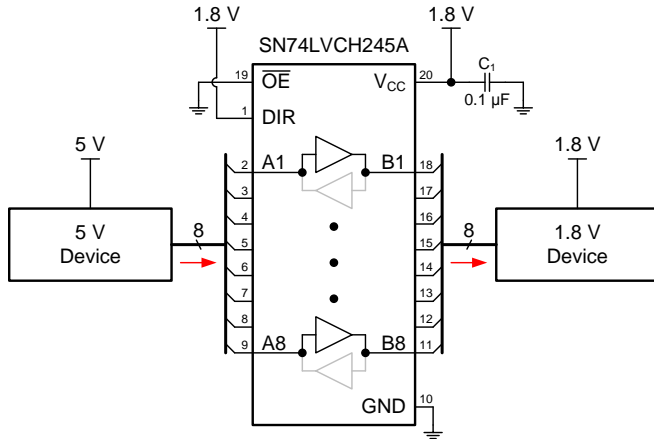


图 10. Typical Down-Translation Application

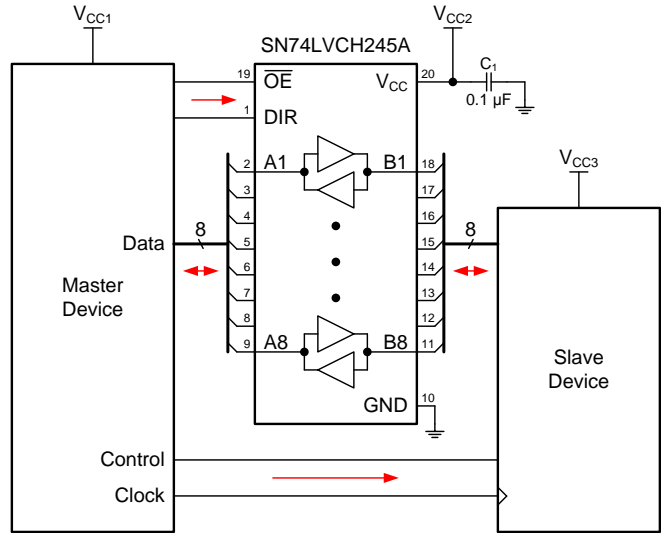


图 11. Typical Direction Controlled Application

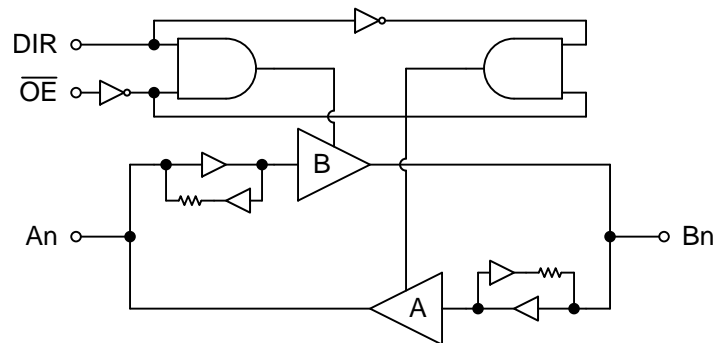


图 12. Equivalent Internal Schematic Including Bus-Hold Inputs

Typical Application (接下页)

9.2.1 Design Requirements

This device uses CMOS technology and has a balanced output drive. Care should be taken to avoid bus contention because the device's output can drive currents that exceed maximum limits. The high drive also creates fast edges into light loads; therefore, routing and load conditions should be considered to prevent ringing.

This device has bus-hold inputs, which are always active regardless of DIR or \overline{OE} input values. For more information, refer to the [Bus-Hold Data Inputs](#).

9.2.2 Detailed Design Procedure

1. Recommended Input Conditions

- See ($\Delta t/\Delta V$) in the [Recommended Operating Conditions: SN54LVCH245A](#) table for the input transition rate specification.
- See (V_{IH} and V_{IL}) in the [Recommended Operating Conditions: SN54LVCH245A](#) table for the input voltage high level and input voltage low level specifications.
- The inputs are overvoltage tolerant. This allows them to rise up to 5.5 V at any valid V_{CC} .
- The inputs can be left floating. The internal bus-hold circuits maintains the last valid state at the inputs.

2. Recommended Output Conditions

- Do not exceed 25 mA per output and 50 mA in total for the device.
- Do not pull outputs above V_{CC} .

9.2.3 Application Curves

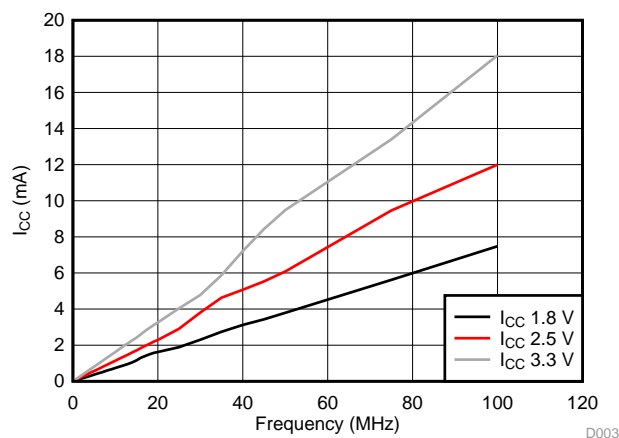


图 13. I_{CC} vs Frequency

10 Power Supply Recommendations

The [Recommended Operating Conditions: SN54LVCH245A](#) table shows the power supply can be any voltage between the minimum and maximum supply voltage rating that are listed.

Each V_{CC} pin should have a good bypass capacitor to prevent power disturbance. For devices with a single supply, 0.1 μF is recommended; if there are multiple V_{CC} pins, then 0.01 μF or 0.022 μF is recommended for each power pin. It is acceptable to parallel multiple bypass capacitors to reject different noise frequencies. A 0.1 μF and a 1 μF are commonly used in parallel. The bypass capacitor should be installed as close to the power pin as possible for best results.

11 Layout

11.1 Layout Guidelines

When using multiple-bit logic devices, inputs should never float.

In many cases, functions or parts of functions of digital logic devices are unused. For example, when two inputs of a triple-input AND gate are used or only 3 of the 4 buffer gates are used. Such input pins should not be left unconnected because the undefined voltages at the outside connections result in undefined operational states.

Figure 14 specifies the rules that must be observed under all circumstances. All unused inputs of digital logic devices must be connected to a high or low bias to prevent them from floating. The logic level that should be applied to any particular unused input depends on the function of the device. Generally, they will be tied to GND or V_{CC} , the deciding factor is based on whichever makes more sense or is more convenient at the time. It is generally acceptable to float outputs, unless the part is a transceiver. If the transceiver has an output enable pin, then asserting the output enable pin will disable the output section of the part. This will not disable the input section of the I/Os, so they cannot float when disabled.

11.2 Layout Example

Figure 14 shows an example layout for the ZXY package. This package has a 0.5-mm pitch and requires either micro-vias or very small traces to access the center pins. In this example, 4-mil vias with 10-mil pads are used to access the center pins. All pins are connected by 5-mil traces except for the supply pins which use 10-mil traces.

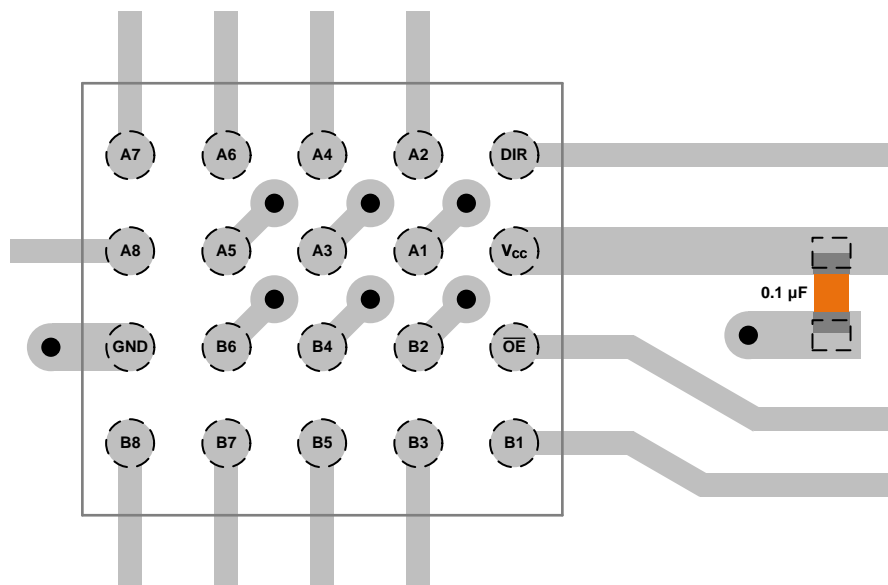


图 14. Example Layout of ZXY Package

12 器件和文档支持

12.1 相关链接

下表列出了快速访问链接。类别包括技术文档、支持与社区资源、工具和软件，以及申请样片或购买产品的快速链接。

表 4. 相关链接

| 器件 | 产品文件夹 | 样片与购买 | 技术文档 | 工具与软件 | 支持和社区 |
|--------------|-----------------------|-----------------------|-----------------------|-----------------------|-----------------------|
| SN54LVCH245A | 请单击此处 | 请单击此处 | 请单击此处 | 请单击此处 | 请单击此处 |
| SN74LVCH245A | 请单击此处 | 请单击此处 | 请单击此处 | 请单击此处 | 请单击此处 |

12.2 商标

All trademarks are the property of their respective owners.

12.3 静电放电警告



这些装置包含有限的内置 ESD 保护。存储或装卸时，应将导线一起截短或将装置放置于导电泡棉中，以防止 MOS 门极遭受静电损伤。

12.4 术语表

[SLYZ022](#) — TI 术语表。

这份术语表列出并解释术语、缩写和定义。

13 机械、封装和可订购信息

以下页面包含机械、封装和可订购信息。这些信息是指定器件的最新可用数据。数据如有变更，恕不另行通知，且不会对此文档进行修订。如需获取此数据表的浏览器版本，请查阅左侧的导航栏。

PACKAGING INFORMATION

| Orderable Device | Status (1) | Package Type | Package Drawing | Pins | Package Qty | Eco Plan (2) | Lead finish/ Ball material (6) | MSL Peak Temp (3) | Op Temp (°C) | Device Marking (4/5) | Samples |
|--------------------|---------------|--------------|-----------------|------|-------------|------------------|--------------------------------------|----------------------|--------------|--|-------------------------|
| 5962-9754301Q2A | ACTIVE | LCCC | FK | 20 | 1 | Non-RoHS & Green | SNPB | N / A for Pkg Type | -55 to 125 | 5962-9754301Q2A SNJ54LVCH 245AFK | Samples |
| 5962-9754301QRA | ACTIVE | CDIP | J | 20 | 1 | Non-RoHS & Green | SNPB | N / A for Pkg Type | -55 to 125 | 5962-9754301QR A SNJ54LVCH245AJ | Samples |
| 5962-9754301QSA | ACTIVE | CFP | W | 20 | 1 | Non-RoHS & Green | SNPB | N / A for Pkg Type | -55 to 125 | 5962-9754301QS A SNJ54LVCH245AW | Samples |
| 5962-9754301V2A | ACTIVE | LCCC | FK | 20 | 1 | Non-RoHS & Green | SNPB | N / A for Pkg Type | -55 to 125 | 5962-9754301V2A SNV54LVCH 245AFK | Samples |
| 5962-9754301VRA | ACTIVE | CDIP | J | 20 | 20 | Non-RoHS & Green | SNPB | N / A for Pkg Type | -55 to 125 | 5962-9754301VR A SNV54LVCH245AJ | Samples |
| 5962-9754301VSA | ACTIVE | CFP | W | 20 | 1 | Non-RoHS & Green | SNPB | N / A for Pkg Type | -55 to 125 | 5962-9754301VS A SNV54LVCH245AW | Samples |
| SN74LVCH245ADBR | ACTIVE | SSOP | DB | 20 | 2000 | RoHS & Green | NIPDAU | Level-1-260C-UNLIM | -40 to 125 | LCH245A | Samples |
| SN74LVCH245ADBRE4 | ACTIVE | SSOP | DB | 20 | 2000 | RoHS & Green | NIPDAU | Level-1-260C-UNLIM | -40 to 125 | LCH245A | Samples |
| SN74LVCH245ADGVR | ACTIVE | TVSOP | DGV | 20 | 2000 | RoHS & Green | NIPDAU | Level-1-260C-UNLIM | -40 to 125 | LCH245A | Samples |
| SN74LVCH245ADGVRE4 | ACTIVE | TVSOP | DGV | 20 | 2000 | RoHS & Green | NIPDAU | Level-1-260C-UNLIM | -40 to 85 | LCH245A | Samples |
| SN74LVCH245ADW | ACTIVE | SOIC | DW | 20 | 25 | RoHS & Green | NIPDAU | Level-1-260C-UNLIM | -40 to 125 | LVCH245A | Samples |
| SN74LVCH245ADWR | ACTIVE | SOIC | DW | 20 | 2000 | RoHS & Green | NIPDAU | Level-1-260C-UNLIM | -40 to 125 | LVCH245A | Samples |
| SN74LVCH245ADWRG4 | ACTIVE | SOIC | DW | 20 | 2000 | RoHS & Green | NIPDAU | Level-1-260C-UNLIM | -40 to 125 | LVCH245A | Samples |
| SN74LVCH245ANSR | ACTIVE | SO | NS | 20 | 2000 | RoHS & Green | NIPDAU | Level-1-260C-UNLIM | -40 to 125 | LVCH245A | Samples |
| SN74LVCH245APW | ACTIVE | TSSOP | PW | 20 | 70 | RoHS & Green | NIPDAU | Level-1-260C-UNLIM | -40 to 125 | LCH245A | Samples |

| Orderable Device | Status (1) | Package Type | Package Drawing | Pins | Package Qty | Eco Plan (2) | Lead finish/ Ball material (6) | MSL Peak Temp (3) | Op Temp (°C) | Device Marking (4/5) | Samples |
|--------------------|---------------|--------------|-----------------|------|-------------|------------------|--------------------------------------|----------------------|--------------|---------------------------------------|-------------------------|
| SN74LVCH245APWE4 | ACTIVE | TSSOP | PW | 20 | 70 | RoHS & Green | NIPDAU | Level-1-260C-UNLIM | -40 to 125 | LCH245A | Samples |
| SN74LVCH245APWR | ACTIVE | TSSOP | PW | 20 | 2000 | RoHS & Green | NIPDAU SN | Level-1-260C-UNLIM | -40 to 125 | LCH245A | Samples |
| SN74LVCH245APWRE4 | ACTIVE | TSSOP | PW | 20 | 2000 | RoHS & Green | NIPDAU | Level-1-260C-UNLIM | -40 to 125 | LCH245A | Samples |
| SN74LVCH245APWRG4 | ACTIVE | TSSOP | PW | 20 | 2000 | RoHS & Green | NIPDAU | Level-1-260C-UNLIM | -40 to 125 | LCH245A | Samples |
| SN74LVCH245APWT | ACTIVE | TSSOP | PW | 20 | 250 | RoHS & Green | NIPDAU | Level-1-260C-UNLIM | -40 to 125 | LCH245A | Samples |
| SN74LVCH245ARGYR | ACTIVE | VQFN | RGY | 20 | 3000 | RoHS & Green | NIPDAU | Level-2-260C-1 YEAR | -40 to 125 | LCH245A | Samples |
| SN74LVCH245ARGYRG4 | ACTIVE | VQFN | RGY | 20 | 3000 | RoHS & Green | NIPDAU | Level-2-260C-1 YEAR | -40 to 125 | LCH245A | Samples |
| SNJ54LVCH245AFK | ACTIVE | LCCC | FK | 20 | 1 | Non-RoHS & Green | SNPB | N / A for Pkg Type | -55 to 125 | 5962-9754301Q2A SNJ54LVCH245AFK | Samples |
| SNJ54LVCH245AJ | ACTIVE | CDIP | J | 20 | 1 | Non-RoHS & Green | SNPB | N / A for Pkg Type | -55 to 125 | 5962-9754301QR A SNJ54LVCH245AJ | Samples |
| SNJ54LVCH245AW | ACTIVE | CFP | W | 20 | 1 | Non-RoHS & Green | SNPB | N / A for Pkg Type | -55 to 125 | 5962-9754301QS A SNJ54LVCH245AW | Samples |

(1) The marketing status values are defined as follows:

ACTIVE: Product device recommended for new designs.

LIFEBUY: TI has announced that the device will be discontinued, and a lifetime-buy period is in effect.

NRND: Not recommended for new designs. Device is in production to support existing customers, but TI does not recommend using this part in a new design.

PREVIEW: Device has been announced but is not in production. Samples may or may not be available.

OBSOLETE: TI has discontinued the production of the device.

(2) **RoHS:** TI defines "RoHS" to mean semiconductor products that are compliant with the current EU RoHS requirements for all 10 RoHS substances, including the requirement that RoHS substance do not exceed 0.1% by weight in homogeneous materials. Where designed to be soldered at high temperatures, "RoHS" products are suitable for use in specified lead-free processes. TI may reference these types of products as "Pb-Free".

RoHS Exempt: TI defines "RoHS Exempt" to mean products that contain lead but are compliant with EU RoHS pursuant to a specific EU RoHS exemption.

Green: TI defines "Green" to mean the content of Chlorine (Cl) and Bromine (Br) based flame retardants meet JS709B low halogen requirements of <=100ppm threshold. Antimony trioxide based flame retardants must also meet the <=1000ppm threshold requirement.

(3) MSL, Peak Temp. - The Moisture Sensitivity Level rating according to the JEDEC industry standard classifications, and peak solder temperature.

(4) There may be additional marking, which relates to the logo, the lot trace code information, or the environmental category on the device.

(5) Multiple Device Markings will be inside parentheses. Only one Device Marking contained in parentheses and separated by a "~" will appear on a device. If a line is indented then it is a continuation of the previous line and the two combined represent the entire Device Marking for that device.

(6) Lead finish/Ball material - Orderable Devices may have multiple material finish options. Finish options are separated by a vertical ruled line. Lead finish/Ball material values may wrap to two lines if the finish value exceeds the maximum column width.

Important Information and Disclaimer:The information provided on this page represents TI's knowledge and belief as of the date that it is provided. TI bases its knowledge and belief on information provided by third parties, and makes no representation or warranty as to the accuracy of such information. Efforts are underway to better integrate information from third parties. TI has taken and continues to take reasonable steps to provide representative and accurate information but may not have conducted destructive testing or chemical analysis on incoming materials and chemicals. TI and TI suppliers consider certain information to be proprietary, and thus CAS numbers and other limited information may not be available for release.

In no event shall TI's liability arising out of such information exceed the total purchase price of the TI part(s) at issue in this document sold by TI to Customer on an annual basis.

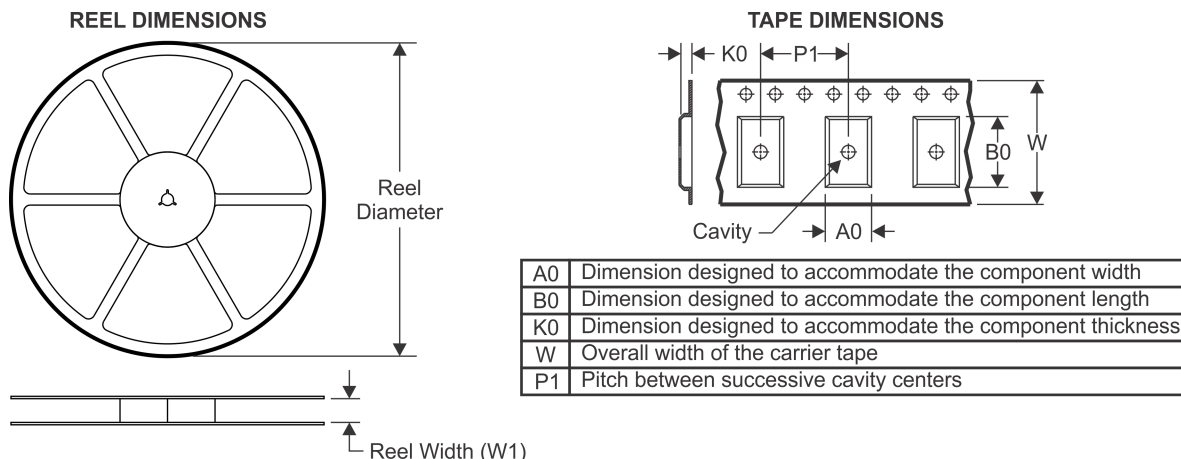
OTHER QUALIFIED VERSIONS OF SN54LVCH245A, SN54LVCH245A-SP, SN74LVCH245A :

- Catalog : [SN74LVCH245A](#), [SN54LVCH245A](#)
- Military : [SN54LVCH245A](#)
- Space : [SN54LVCH245A-SP](#)

NOTE: Qualified Version Definitions:

- Catalog - TI's standard catalog product
- Military - QML certified for Military and Defense Applications
- Space - Radiation tolerant, ceramic packaging and qualified for use in Space-based application

TAPE AND REEL INFORMATION



QUADRANT ASSIGNMENTS FOR PIN 1 ORIENTATION IN TAPE



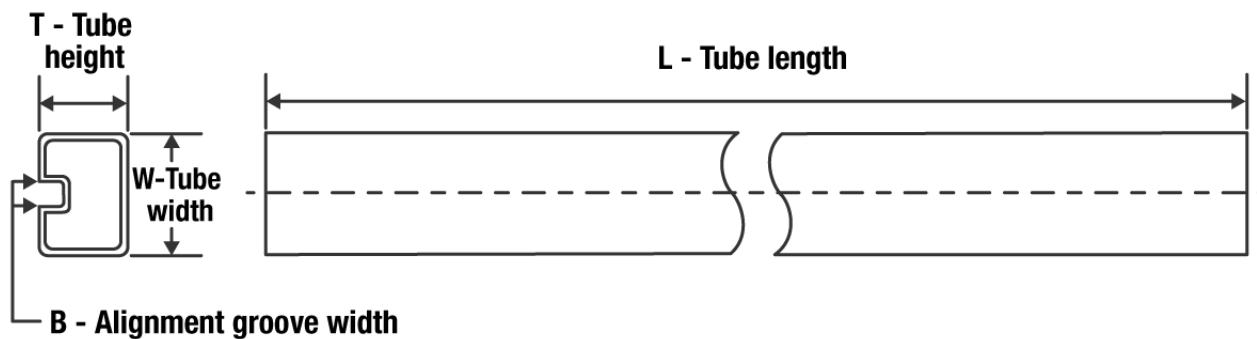
*All dimensions are nominal

| Device | Package Type | Package Drawing | Pins | SPQ | Reel Diameter (mm) | Reel Width W1 (mm) | A0 (mm) | B0 (mm) | K0 (mm) | P1 (mm) | W (mm) | Pin1 Quadrant |
|-------------------|--------------|-----------------|------|------|--------------------|--------------------|---------|---------|---------|---------|--------|---------------|
| SN74LVCH245ADBR | SSOP | DB | 20 | 2000 | 330.0 | 16.4 | 8.2 | 7.5 | 2.5 | 12.0 | 16.0 | Q1 |
| SN74LVCH245ADGVR | TVSOP | DGV | 20 | 2000 | 330.0 | 12.4 | 6.9 | 5.6 | 1.6 | 8.0 | 12.0 | Q1 |
| SN74LVCH245ADWR | SOIC | DW | 20 | 2000 | 330.0 | 24.4 | 10.8 | 13.3 | 2.7 | 12.0 | 24.0 | Q1 |
| SN74LVCH245ANSR | SO | NS | 20 | 2000 | 330.0 | 24.4 | 8.4 | 13.0 | 2.5 | 12.0 | 24.0 | Q1 |
| SN74LVCH245APWR | TSSOP | PW | 20 | 2000 | 330.0 | 16.4 | 6.95 | 7.0 | 1.4 | 8.0 | 16.0 | Q1 |
| SN74LVCH245APWRG4 | TSSOP | PW | 20 | 2000 | 330.0 | 16.4 | 6.95 | 7.0 | 1.4 | 8.0 | 16.0 | Q1 |
| SN74LVCH245APWT | TSSOP | PW | 20 | 250 | 330.0 | 16.4 | 6.95 | 7.1 | 1.6 | 8.0 | 16.0 | Q1 |
| SN74LVCH245ARGYR | VQFN | RGY | 20 | 3000 | 330.0 | 12.4 | 3.8 | 4.8 | 1.6 | 8.0 | 12.0 | Q1 |

TAPE AND REEL BOX DIMENSIONS


*All dimensions are nominal

| Device | Package Type | Package Drawing | Pins | SPQ | Length (mm) | Width (mm) | Height (mm) |
|-------------------|--------------|-----------------|------|------|-------------|------------|-------------|
| SN74LVCH245ADBR | SSOP | DB | 20 | 2000 | 853.0 | 449.0 | 35.0 |
| SN74LVCH245ADGVR | TVSOP | DGV | 20 | 2000 | 853.0 | 449.0 | 35.0 |
| SN74LVCH245ADWR | SOIC | DW | 20 | 2000 | 367.0 | 367.0 | 45.0 |
| SN74LVCH245ANSR | SO | NS | 20 | 2000 | 367.0 | 367.0 | 45.0 |
| SN74LVCH245APWR | TSSOP | PW | 20 | 2000 | 853.0 | 449.0 | 35.0 |
| SN74LVCH245APWRG4 | TSSOP | PW | 20 | 2000 | 853.0 | 449.0 | 35.0 |
| SN74LVCH245APWT | TSSOP | PW | 20 | 250 | 853.0 | 449.0 | 35.0 |
| SN74LVCH245ARGYR | VQFN | RGY | 20 | 3000 | 853.0 | 449.0 | 35.0 |

TUBE


*All dimensions are nominal

| Device | Package Name | Package Type | Pins | SPQ | L (mm) | W (mm) | T (μm) | B (mm) |
|------------------|--------------|--------------|------|-----|--------|--------|--------|--------|
| 5962-9754301Q2A | FK | LCCC | 20 | 1 | 506.98 | 12.06 | 2030 | NA |
| 5962-9754301V2A | FK | LCCC | 20 | 1 | 506.98 | 12.06 | 2030 | NA |
| 5962-9754301VSA | W | CFP | 20 | 1 | 506.98 | 26.16 | 6220 | NA |
| SN74LVCH245ADW | DW | SOIC | 20 | 25 | 507 | 12.83 | 5080 | 6.6 |
| SN74LVCH245APW | PW | TSSOP | 20 | 70 | 530 | 10.2 | 3600 | 3.5 |
| SN74LVCH245APWE4 | PW | TSSOP | 20 | 70 | 530 | 10.2 | 3600 | 3.5 |
| SNJ54LVCH245AFK | FK | LCCC | 20 | 1 | 506.98 | 12.06 | 2030 | NA |

FK (S-CQCC-N**)

LEADLESS CERAMIC CHIP CARRIER

28 TERMINAL SHOWN



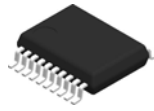
| NO. OF TERMINALS ** | A | | B | |
|---------------------|------------------|------------------|------------------|------------------|
| | MIN | MAX | MIN | MAX |
| 20 | 0.342 (8,69) | 0.358 (9,09) | 0.307 (7,80) | 0.358 (9,09) |
| 28 | 0.442 (11,23) | 0.458 (11,63) | 0.406 (10,31) | 0.458 (11,63) |
| 44 | 0.640 (16,26) | 0.660 (16,76) | 0.495 (12,58) | 0.560 (14,22) |
| 52 | 0.740 (18,78) | 0.761 (19,32) | 0.495 (12,58) | 0.560 (14,22) |
| 68 | 0.938 (23,83) | 0.962 (24,43) | 0.850 (21,6) | 0.858 (21,8) |
| 84 | 1.141 (28,99) | 1.165 (29,59) | 1.047 (26,6) | 1.063 (27,0) |



4040140/D 01/11

- NOTES:
- All linear dimensions are in inches (millimeters).
 - This drawing is subject to change without notice.
 - This package can be hermetically sealed with a metal lid.
 - Falls within JEDEC MS-004

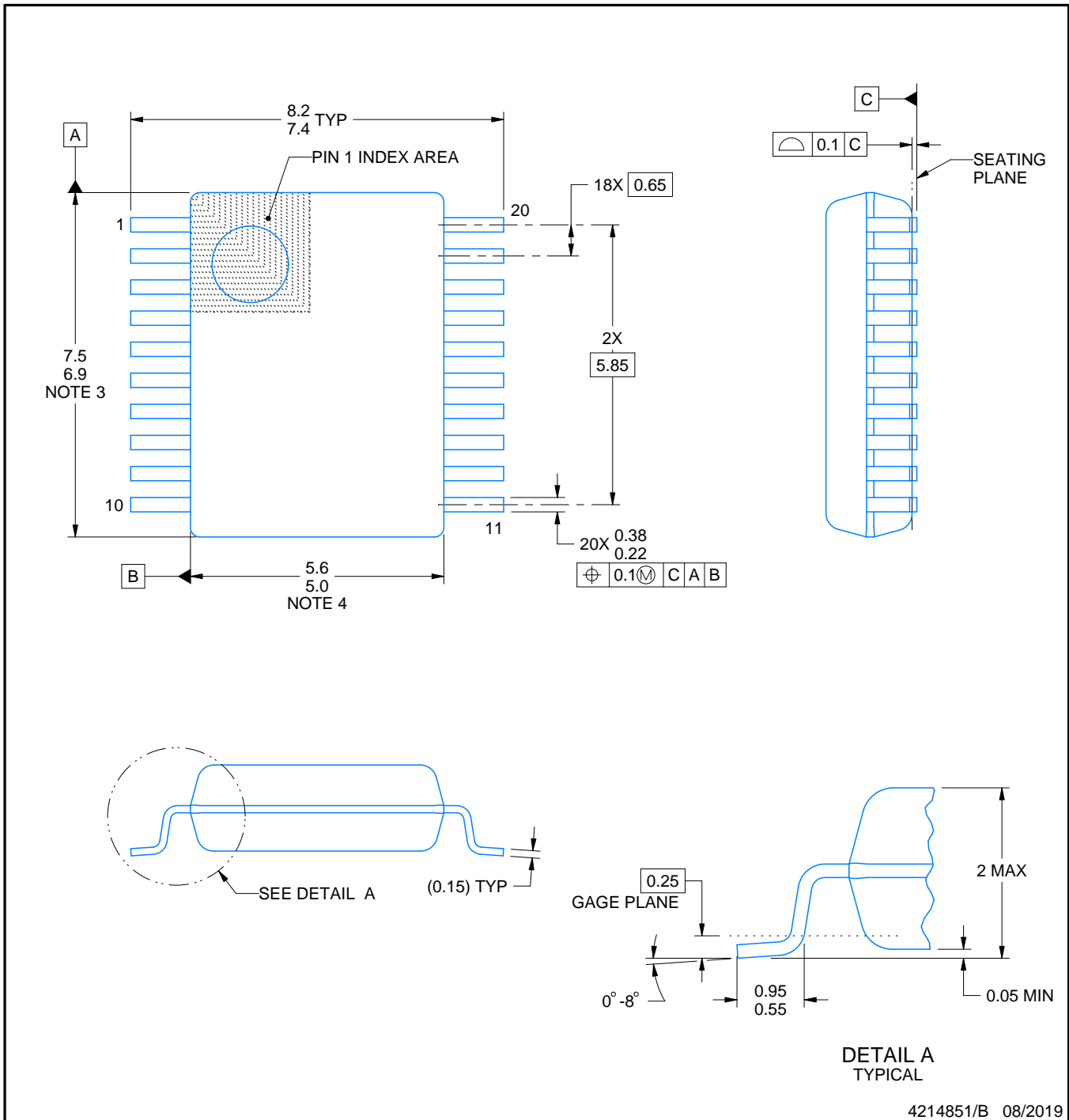
DB0020A



PACKAGE OUTLINE

SSOP - 2 mm max height

SMALL OUTLINE PACKAGE



NOTES:

1. All linear dimensions are in millimeters. Any dimensions in parenthesis are for reference only. Dimensioning and tolerancing per ASME Y14.5M.
2. This drawing is subject to change without notice.
3. This dimension does not include mold flash, protrusions, or gate burrs. Mold flash, protrusions, or gate burrs shall not exceed 0.15 mm per side.
4. This dimension does not include interlead flash. Interlead flash shall not exceed 0.25 mm per side.
5. Reference JEDEC registration MO-150.

EXAMPLE BOARD LAYOUT

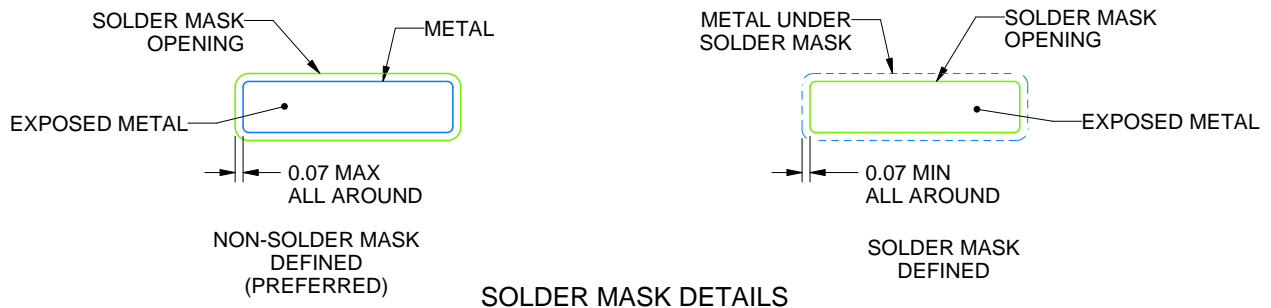
DB0020A

SSOP - 2 mm max height

SMALL OUTLINE PACKAGE



LAND PATTERN EXAMPLE
EXPOSED METAL SHOWN
SCALE: 10X



4214851/B 08/2019

NOTES: (continued)

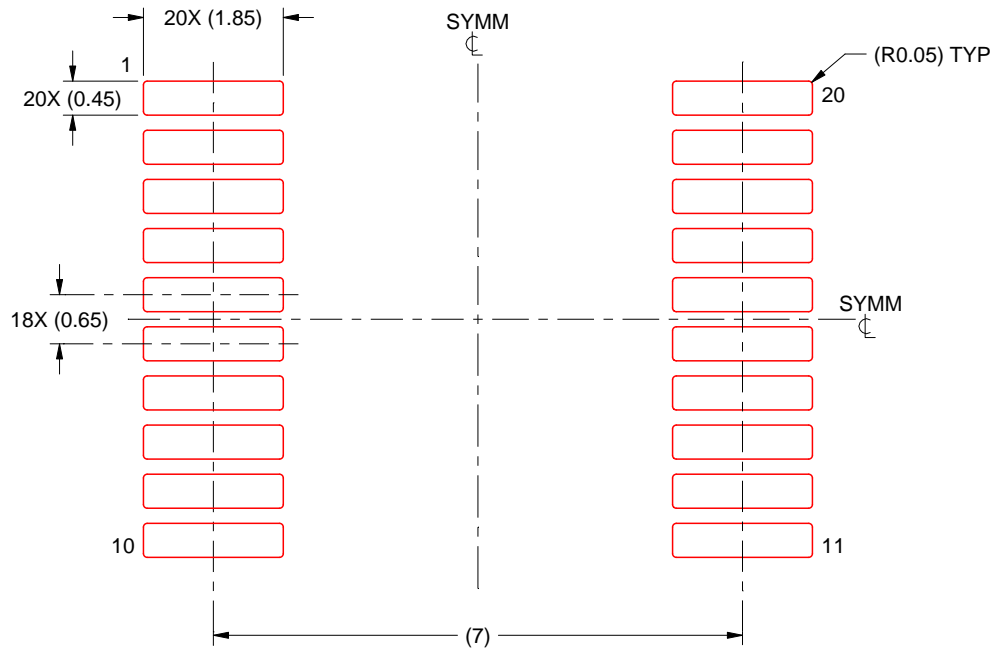
- 6. Publication IPC-7351 may have alternate designs.
- 7. Solder mask tolerances between and around signal pads can vary based on board fabrication site.

EXAMPLE STENCIL DESIGN

DB0020A

SSOP - 2 mm max height

SMALL OUTLINE PACKAGE



SOLDER PASTE EXAMPLE
BASED ON 0.125 mm THICK STENCIL
SCALE: 10X

4214851/B 08/2019

NOTES: (continued)

8. Laser cutting apertures with trapezoidal walls and rounded corners may offer better paste release. IPC-7525 may have alternate design recommendations.
9. Board assembly site may have different recommendations for stencil design.

MECHANICAL DATA

NS (R-PDSO-G**)

PLASTIC SMALL-OUTLINE PACKAGE

14-PINS SHOWN



- NOTES:
- A. All linear dimensions are in millimeters.
 - B. This drawing is subject to change without notice.
 - C. Body dimensions do not include mold flash or protrusion, not to exceed 0,15.

J (R-GDIP-T**)

14 LEADS SHOWN

CERAMIC DUAL IN-LINE PACKAGE



| DIM \ PINS ** | 14 | 16 | 18 | 20 |
|---------------|------------------------|------------------------|------------------------|------------------------|
| A | 0.300 (7,62) BSC | 0.300 (7,62) BSC | 0.300 (7,62) BSC | 0.300 (7,62) BSC |
| B MAX | 0.785 (19,94) | .840 (21,34) | 0.960 (24,38) | 1.060 (26,92) |
| B MIN | — | — | — | — |
| C MAX | 0.300 (7,62) | 0.300 (7,62) | 0.310 (7,87) | 0.300 (7,62) |
| C MIN | 0.245 (6,22) | 0.245 (6,22) | 0.220 (5,59) | 0.245 (6,22) |



4040083/F 03/03

- NOTES:
- All linear dimensions are in inches (millimeters).
 - This drawing is subject to change without notice.
 - This package is hermetically sealed with a ceramic lid using glass frit.
 - Index point is provided on cap for terminal identification only on press ceramic glass frit seal only.
 - Falls within MIL STD 1835 GDIP1-T14, GDIP1-T16, GDIP1-T18 and GDIP1-T20.

DGV (R-PDSO-G**)

PLASTIC SMALL-OUTLINE

24 PINS SHOWN



- NOTES: A. All linear dimensions are in millimeters.
 B. This drawing is subject to change without notice.
 C. Body dimensions do not include mold flash or protrusion, not to exceed 0,15 per side.
 D. Falls within JEDEC: 24/48 Pins – MO-153
 14/16/20/56 Pins – MO-194

GENERIC PACKAGE VIEW

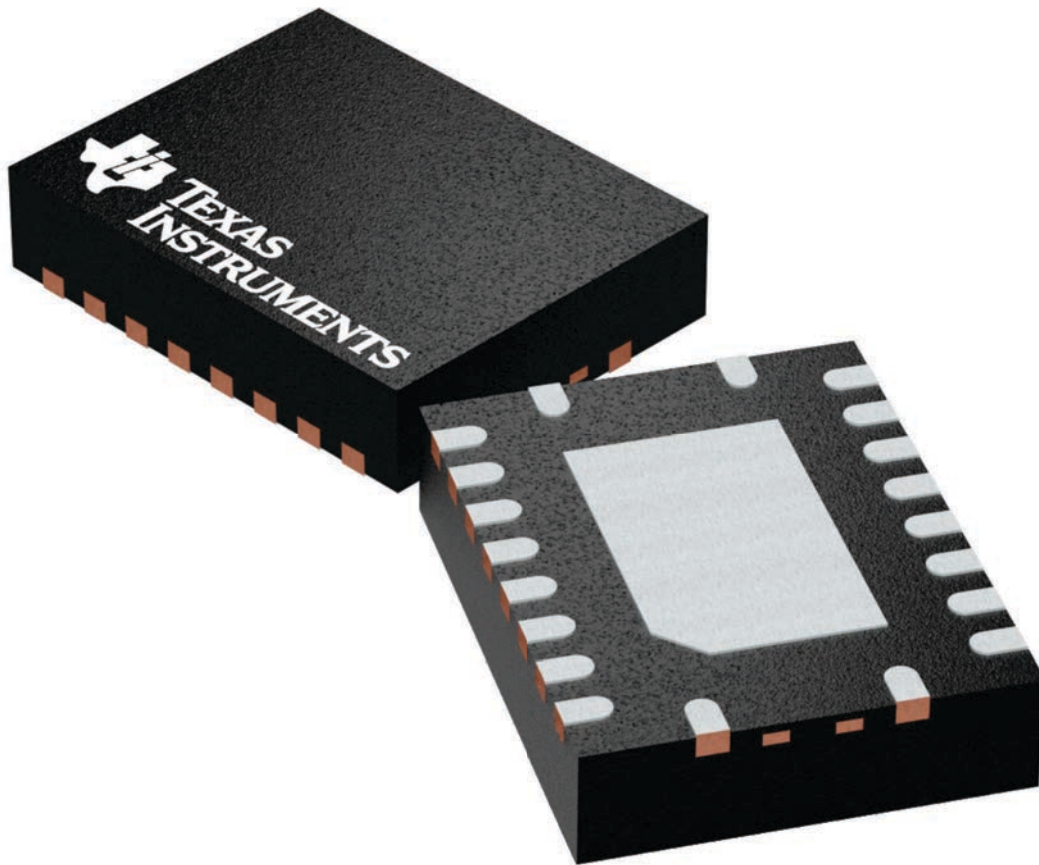
RGY 20

VQFN - 1 mm max height

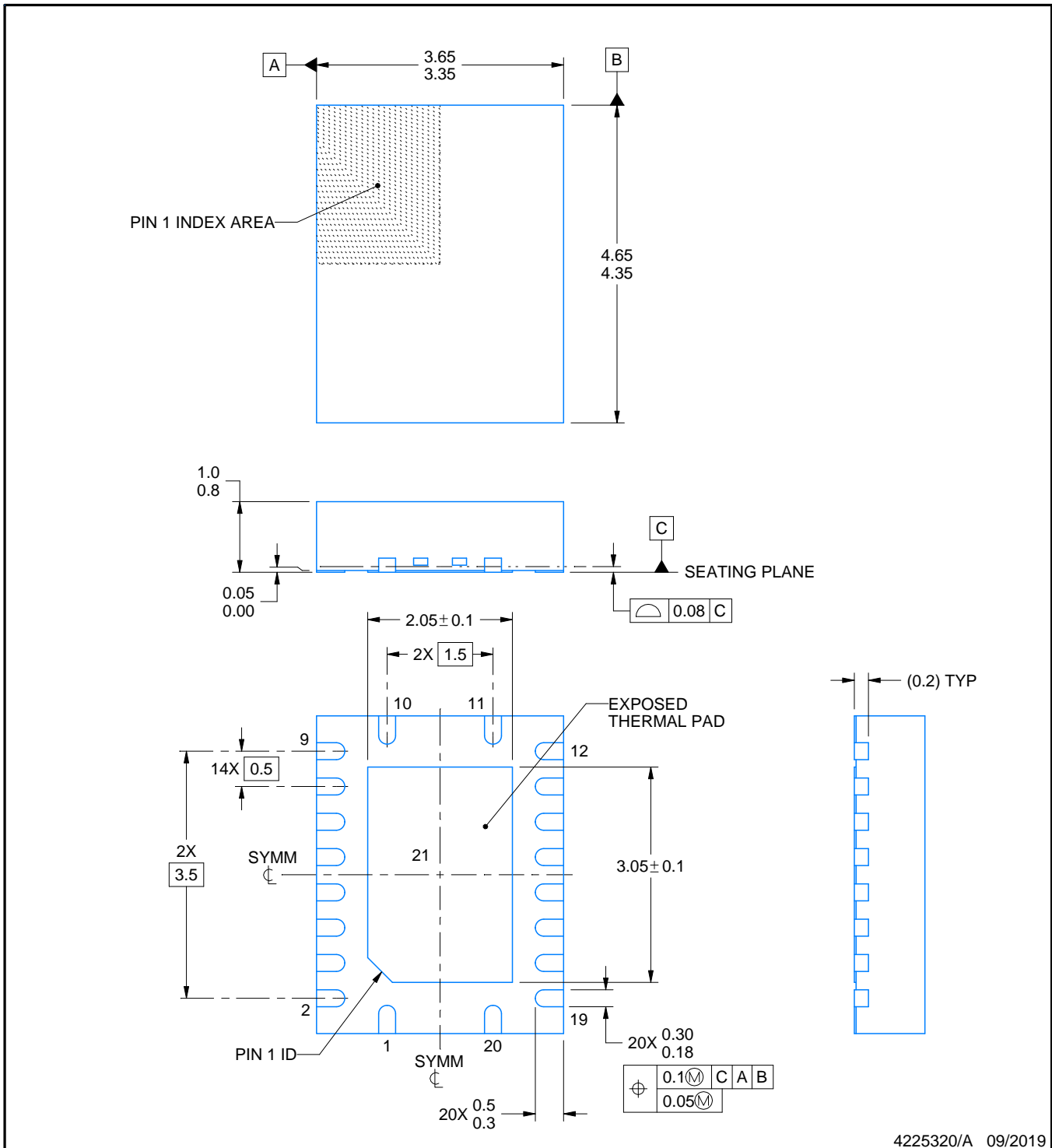
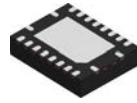
3.5 x 4.5, 0.5 mm pitch

PLASTIC QUAD FGLATPACK - NO LEAD

This image is a representation of the package family, actual package may vary.
Refer to the product data sheet for package details.



4225264/A



4225320/A 09/2019

NOTES:

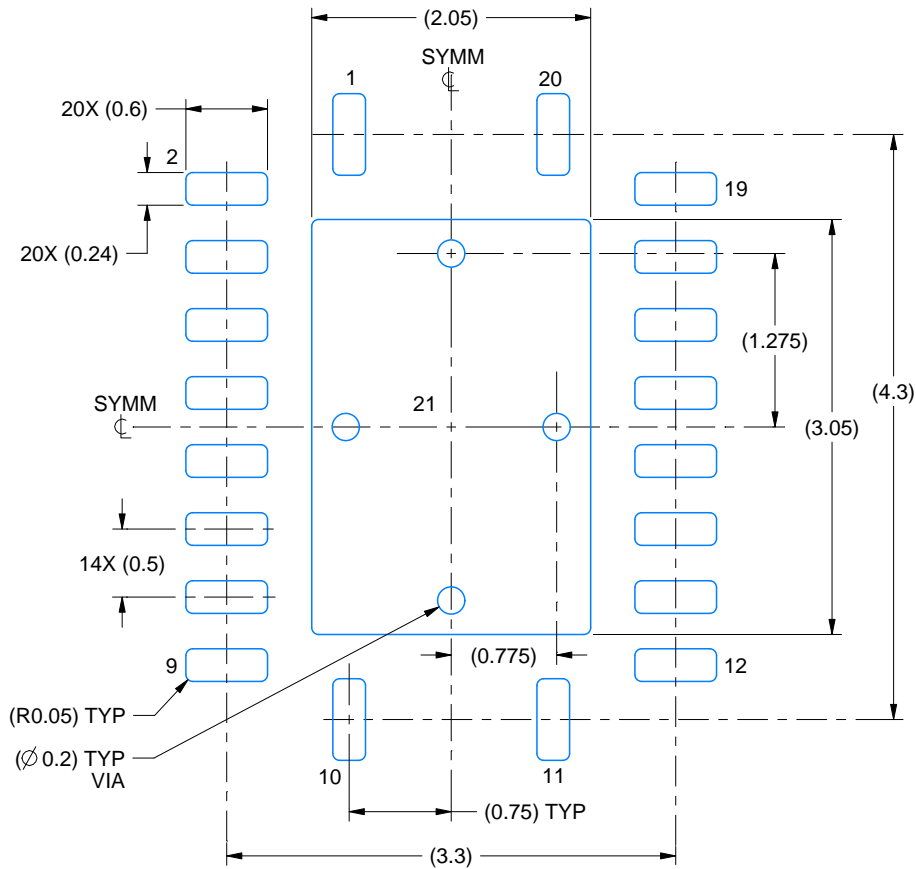
1. All linear dimensions are in millimeters. Any dimensions in parenthesis are for reference only. Dimensioning and tolerancing per ASME Y14.5M.
2. This drawing is subject to change without notice.
3. The package thermal pad must be soldered to the printed circuit board for thermal and mechanical performance.

EXAMPLE BOARD LAYOUT

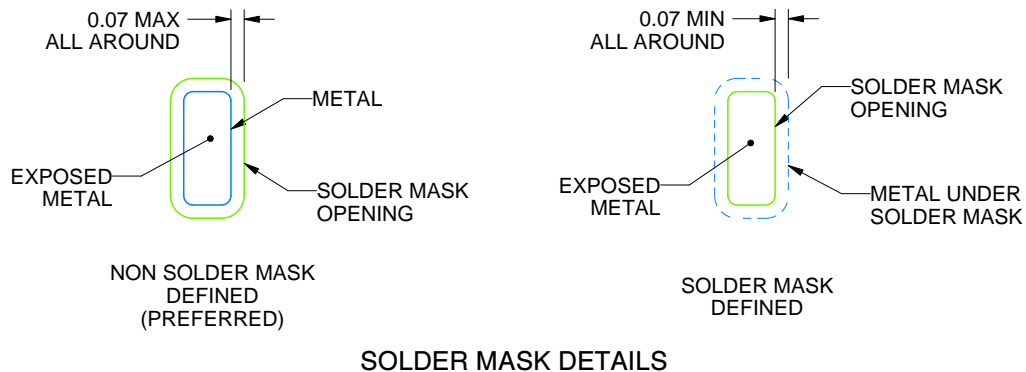
RGY0020A

VQFN - 1 mm max height

PLASTIC QUAD FLATPACK - NO LEAD



LAND PATTERN EXAMPLE
EXPOSED METAL SHOWN
SCALE:18X



SOLDER MASK DETAILS

4225320/A 09/2019

NOTES: (continued)

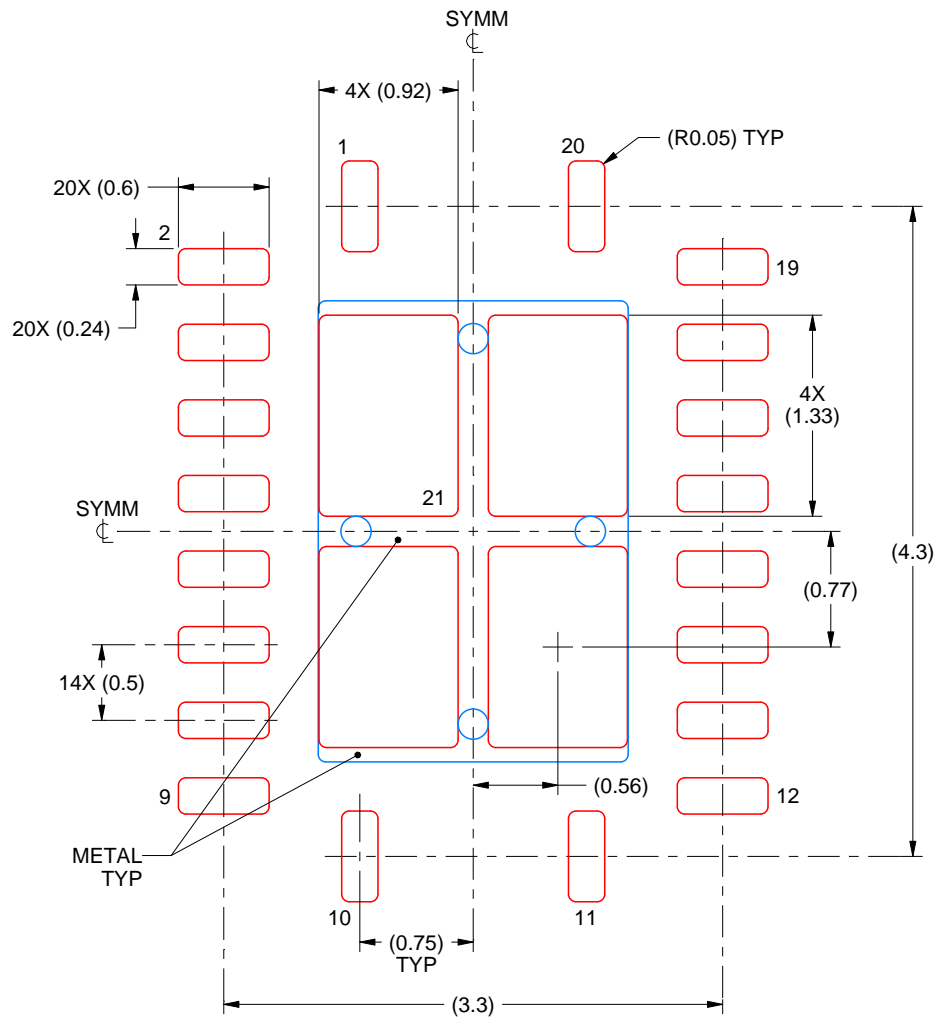
- This package is designed to be soldered to a thermal pad on the board. For more information, see Texas Instruments literature number SLUA271 (www.ti.com/lit/slua271).
- Vias are optional depending on application, refer to device data sheet. If any vias are implemented, refer to their locations shown on this view. It is recommended that vias under paste be filled, plugged or tented.

EXAMPLE STENCIL DESIGN

RGY0020A

VQFN - 1 mm max height

PLASTIC QUAD FLATPACK - NO LEAD



SOLDER PASTE EXAMPLE
BASED ON 0.125 mm THICK STENCIL

EXPOSED PAD 21
78% PRINTED SOLDER COVERAGE BY AREA UNDER PACKAGE
SCALE:20X

4225320/A 09/2019

NOTES: (continued)

6. Laser cutting apertures with trapezoidal walls and rounded corners may offer better paste release. IPC-7525 may have alternate design recommendations.

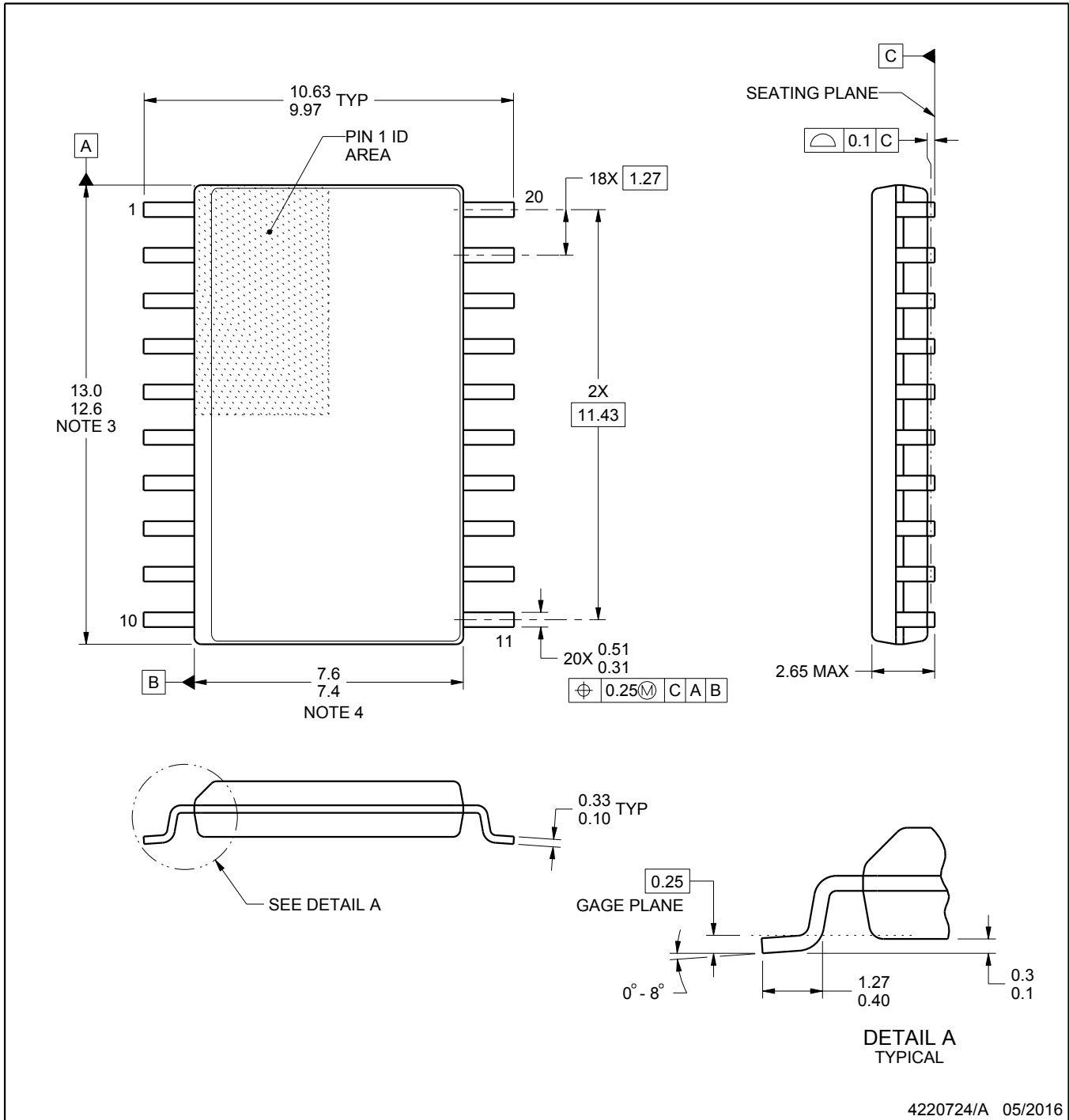
DW0020A



PACKAGE OUTLINE

SOIC - 2.65 mm max height

SOIC



NOTES:

1. All linear dimensions are in millimeters. Dimensions in parenthesis are for reference only. Dimensioning and tolerancing per ASME Y14.5M.
2. This drawing is subject to change without notice.
3. This dimension does not include mold flash, protrusions, or gate burrs. Mold flash, protrusions, or gate burrs shall not exceed 0.15 mm per side.
4. This dimension does not include interlead flash. Interlead flash shall not exceed 0.43 mm per side.
5. Reference JEDEC registration MS-013.

EXAMPLE BOARD LAYOUT

DW0020A

SOIC - 2.65 mm max height

SOIC



LAND PATTERN EXAMPLE
SCALE:6X



SOLDER MASK DETAILS

4220724/A 05/2016

NOTES: (continued)

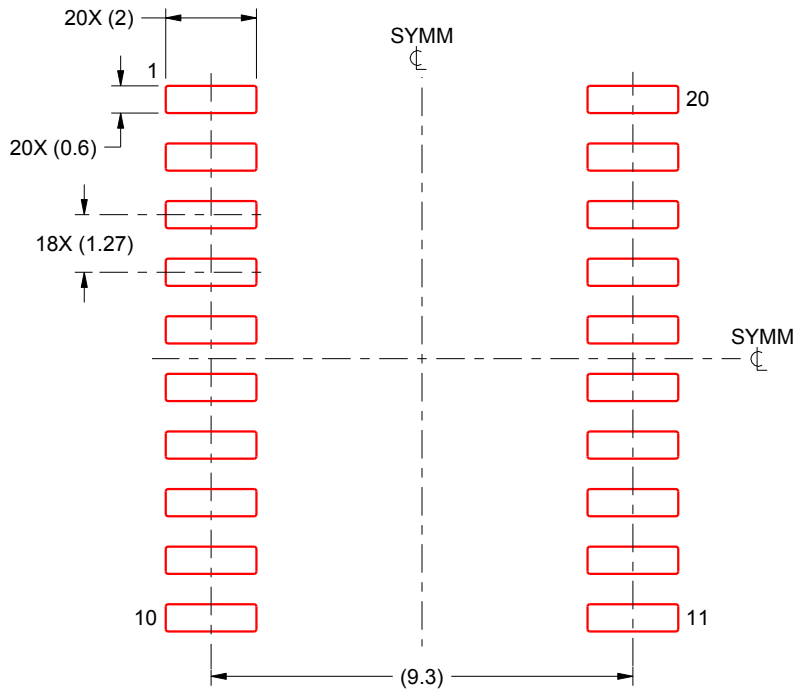
- 6. Publication IPC-7351 may have alternate designs.
- 7. Solder mask tolerances between and around signal pads can vary based on board fabrication site.

EXAMPLE STENCIL DESIGN

DW0020A

SOIC - 2.65 mm max height

SOIC



SOLDER PASTE EXAMPLE
BASED ON 0.125 mm THICK STENCIL
SCALE:6X

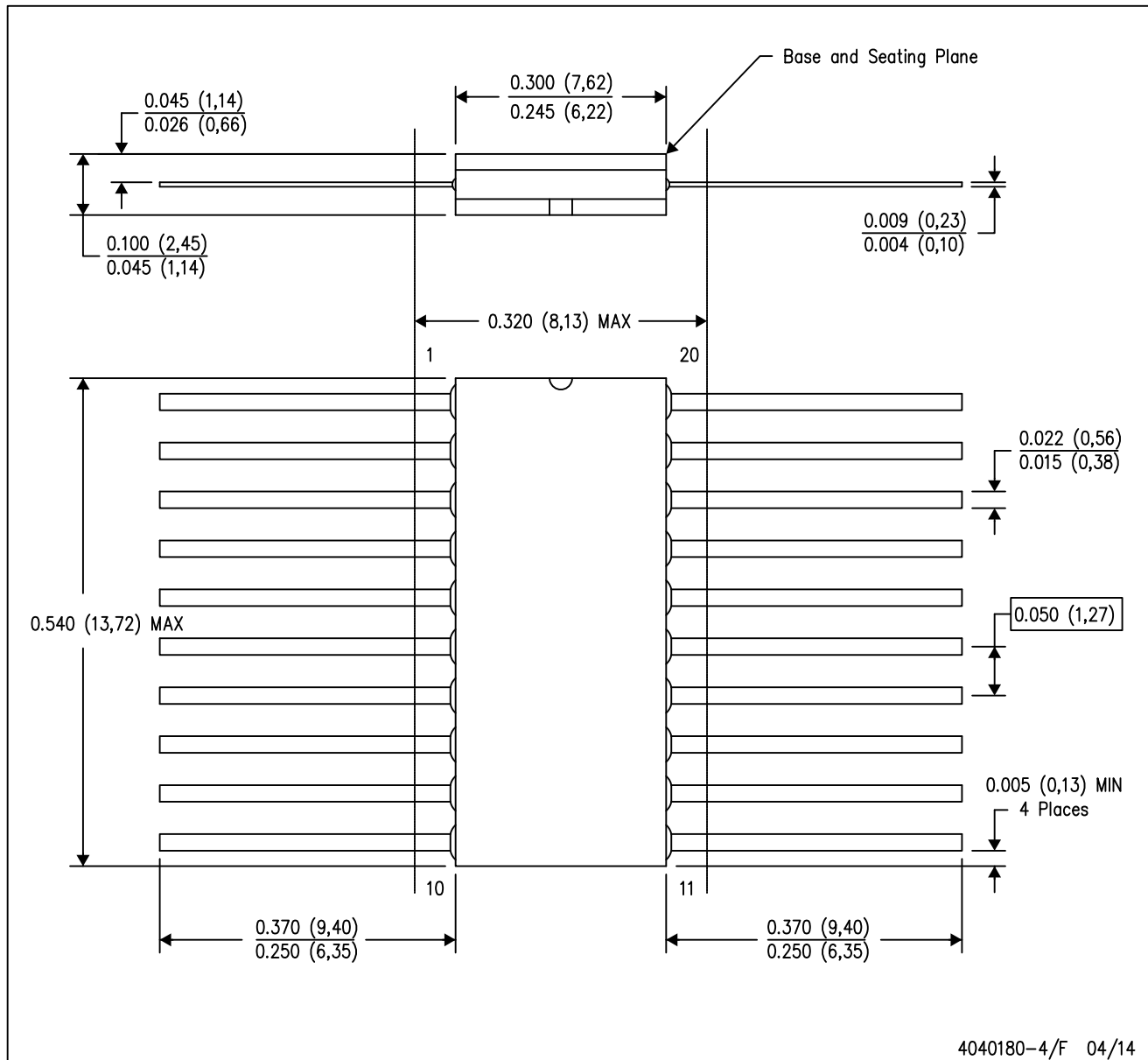
4220724/A 05/2016

NOTES: (continued)

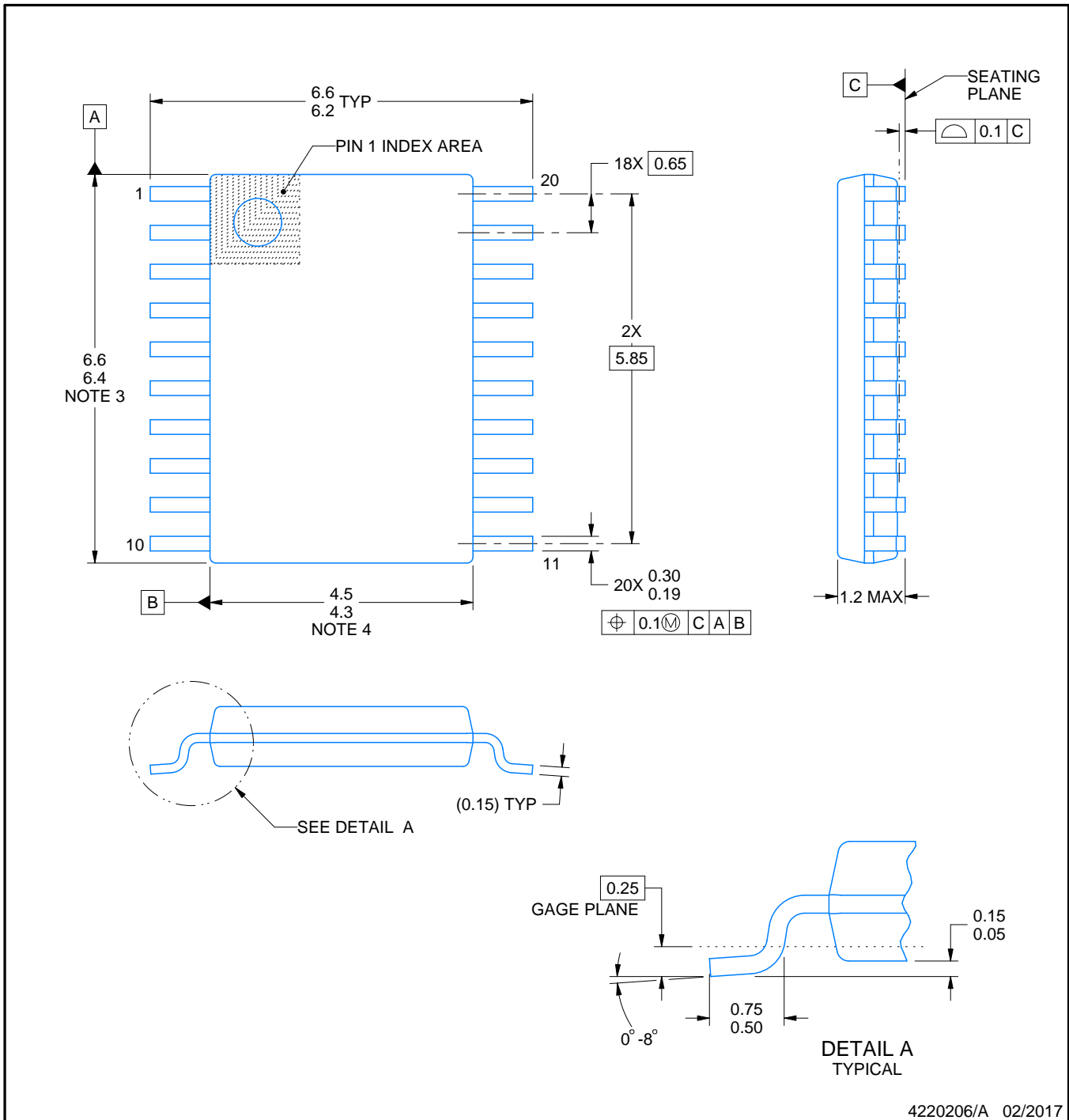
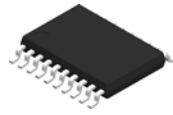
8. Laser cutting apertures with trapezoidal walls and rounded corners may offer better paste release. IPC-7525 may have alternate design recommendations.
9. Board assembly site may have different recommendations for stencil design.

W (R-GDFP-F20)

CERAMIC DUAL FLATPACK



- NOTES:
- A. All linear dimensions are in inches (millimeters).
 - B. This drawing is subject to change without notice.
 - C. This package can be hermetically sealed with a ceramic lid using glass frit.
 - D. Index point is provided on cap for terminal identification only.
 - E. Falls within Mil-Std 1835 GDFP2-F20



4220206/A 02/2017

NOTES:

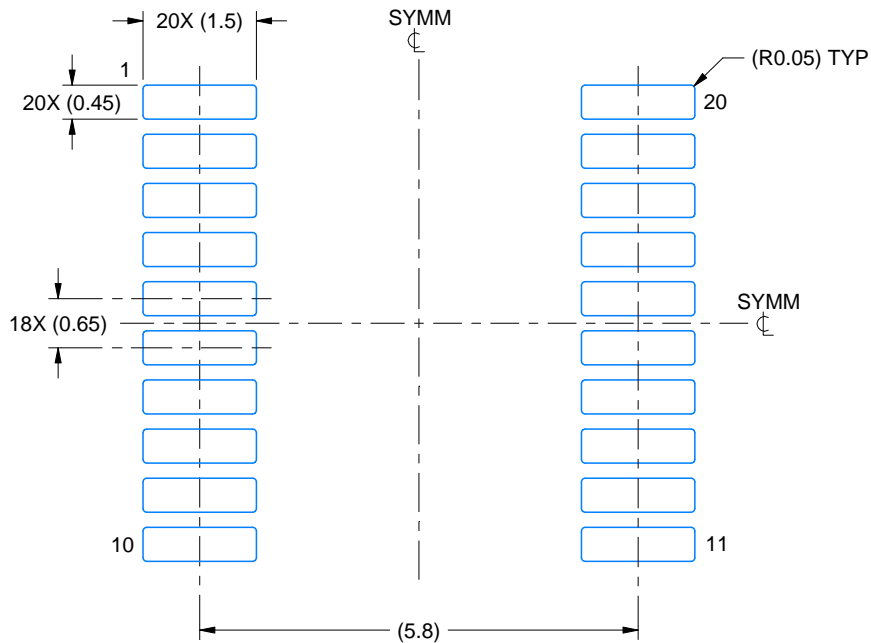
1. All linear dimensions are in millimeters. Any dimensions in parenthesis are for reference only. Dimensioning and tolerancing per ASME Y14.5M.
2. This drawing is subject to change without notice.
3. This dimension does not include mold flash, protrusions, or gate burrs. Mold flash, protrusions, or gate burrs shall not exceed 0.15 mm per side.
4. This dimension does not include interlead flash. Interlead flash shall not exceed 0.25 mm per side.
5. Reference JEDEC registration MO-153.

EXAMPLE BOARD LAYOUT

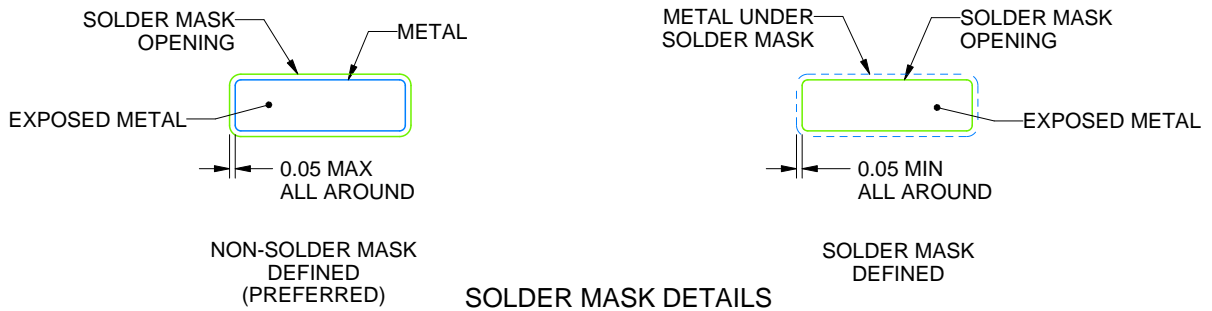
PW0020A

TSSOP - 1.2 mm max height

SMALL OUTLINE PACKAGE



LAND PATTERN EXAMPLE
EXPOSED METAL SHOWN
SCALE: 10X



4220206/A 02/2017

NOTES: (continued)

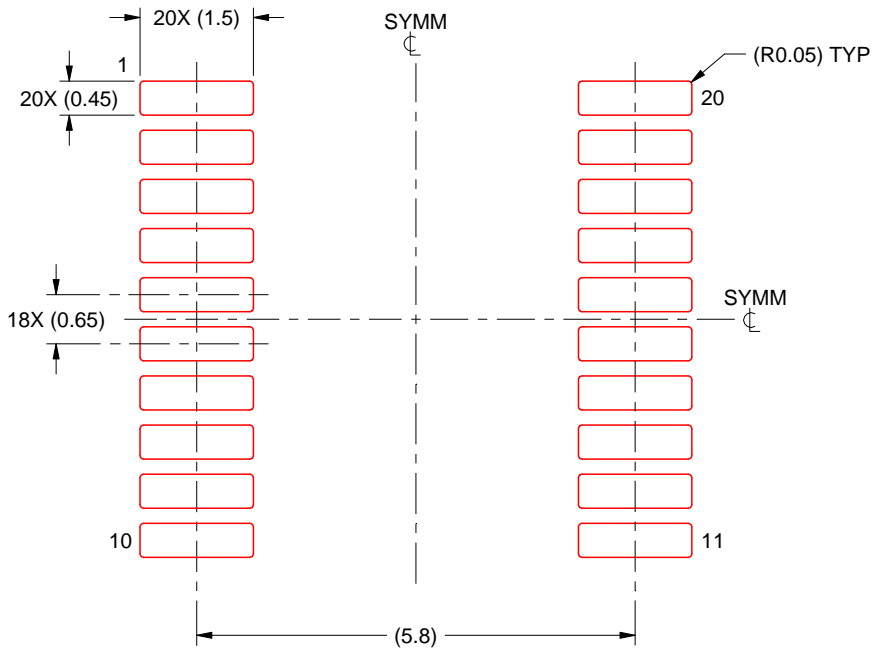
- 6. Publication IPC-7351 may have alternate designs.
- 7. Solder mask tolerances between and around signal pads can vary based on board fabrication site.

EXAMPLE STENCIL DESIGN

PW0020A

TSSOP - 1.2 mm max height

SMALL OUTLINE PACKAGE



SOLDER PASTE EXAMPLE
BASED ON 0.125 mm THICK STENCIL
SCALE: 10X

4220206/A 02/2017

NOTES: (continued)

8. Laser cutting apertures with trapezoidal walls and rounded corners may offer better paste release. IPC-7525 may have alternate design recommendations.
9. Board assembly site may have different recommendations for stencil design.

PW (R-PDSO-G20)

PLASTIC SMALL OUTLINE



- NOTES:
- A. All linear dimensions are in millimeters.
 - B. This drawing is subject to change without notice.
 - C. Publication IPC-7351 is recommended for alternate design.
 - D. Laser cutting apertures with trapezoidal walls and also rounding corners will offer better paste release. Customers should contact their board assembly site for stencil design recommendations. Refer to IPC-7525 for other stencil recommendations.
 - E. Customers should contact their board fabrication site for solder mask tolerances between and around signal pads.

重要声明和免责声明

TI“按原样”提供技术和可靠性数据（包括数据表）、设计资源（包括参考设计）、应用或其他设计建议、网络工具、安全信息和其他资源，不保证没有瑕疵且不做任何明示或暗示的担保，包括但不限于对适销性、某特定用途方面的适用性或不侵犯任何第三方知识产权的暗示担保。

这些资源可供使用 TI 产品进行设计的熟练开发人员使用。您将自行承担以下全部责任：(1) 针对您的应用选择合适的 TI 产品，(2) 设计、验证并测试您的应用，(3) 确保您的应用满足相应标准以及任何其他功能安全、信息安全、监管或其他要求。

这些资源如有变更，恕不另行通知。TI 授权您仅可将这些资源用于研发本资源所述的 TI 产品的应用。严禁对这些资源进行其他复制或展示。您无权使用任何其他 TI 知识产权或任何第三方知识产权。您应全额赔偿因在这些资源的使用中对 TI 及其代表造成的任何索赔、损害、成本、损失和债务，TI 对此概不负责。

TI 提供的产品受 [TI 的销售条款](#) 或 [ti.com](#) 上其他适用条款/TI 产品随附的其他适用条款的约束。TI 提供这些资源并不会扩展或以其他方式更改 TI 针对 TI 产品发布的适用的担保或担保免责声明。

TI 反对并拒绝您可能提出的任何其他或不同的条款。

邮寄地址：Texas Instruments, Post Office Box 655303, Dallas, Texas 75265

Copyright © 2022，德州仪器 (TI) 公司