

# 具有可配置电平转换和三态输出的 SN74LXC8T245-Q1 汽车 8 位双电源总线收发器

## 1 特性

- 符合面向汽车应用的 AEC-Q100 标准
- 完全可配置的双电源轨设计可允许各个端口在 1.1V 至 5.5V 范围内运行
- 稳健、无干扰电源定序
- 在 3.3V 至 5.0V 范围内，支持高达 420Mbps 的速率
- 施密特触发输入可实现慢速或高噪声输入
- 带有集成动态下拉电阻器的 I/O 有助于减少外部组件数量。
- 带集成静态下拉电阻器的控制输入允许浮动控制输入
- 高驱动强度 (在 5V 时最高达 32mA)
- 低功耗
  - 最大值 4 $\mu$ A (25°C)
  - 最大值 12 $\mu$ A ( -40°C 至 125°C )
- $V_{CC}$  隔离和  $V_{CC}$  断开 ( $I_{off-float}$ ) 特性
  - 如果任何一个  $V_{CC}$  电源电压 < 100mV 或已断开，则所有 I/O 会下拉，然后成为高阻抗状态
- $I_{off}$  支持局部断电模式运行
- 兼容 LVC 系列电平转换器
- 控制逻辑 ( DIR 和  $\overline{OE}$  ) 以  $V_{CCA}$  为基准
- 工作温度范围为 -40°C 至 +125°C
- 闩锁性能超出 100mA，符合 JESD 78 II 类规范的要求
- ESD 保护性能超过 JESD 22 规范要求
  - 4000V 人体放电模型
  - 1000V 充电器件模型

## 2 应用

- 消除慢速或高噪声输入信号
- 驱动指示 LED 或蜂鸣器
- 机械开关去抖
- 信息娱乐系统音响主机
- ADAS 融合

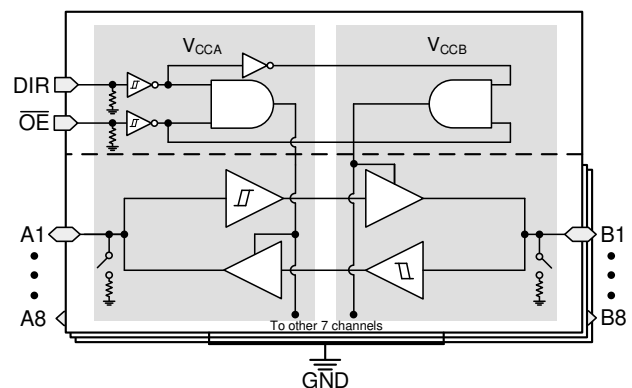
## 3 说明

SN74LXC8T245-Q1 是一款 8 位双电源同相双向电压电平转换器件。Ax 引脚和控制引脚 ( DIR 和  $\overline{OE}$  ) 以  $V_{CCA}$  逻辑电平为基准，Bx 引脚以  $V_{CCB}$  逻辑电平为基准。A 端口能够接受 1.1V 至 5.5V 的 I/O 电压，而 B 端口可接受 1.1V 至 5.5V 的 I/O 电压。在以下情况下，DIR 上为高电平时允许数据从 A 传输到 B，DIR 上为低电平时允许数据从 B 传输到 A； $\overline{OE}$  设为低电平。当  $\overline{OE}$  设为高电平时，Ax 和 Bx 引脚均处于高阻抗状态。请参阅 [器件功能模式](#)，了解控制逻辑的运行摘要。

### 器件信息

器件型号	封装 <sup>(1)</sup>	封装尺寸 (标称值)
SN74LXC8T245PW-Q1	TSSOP (24)	7.80mm x 6.40mm
SN74LXC8T245RHL-Q1	VQFN (24)	5.50mm x 3.50mm

(1) 如需了解所有可用封装，请参阅数据表末尾的可订购产品附录。



## Table of Contents

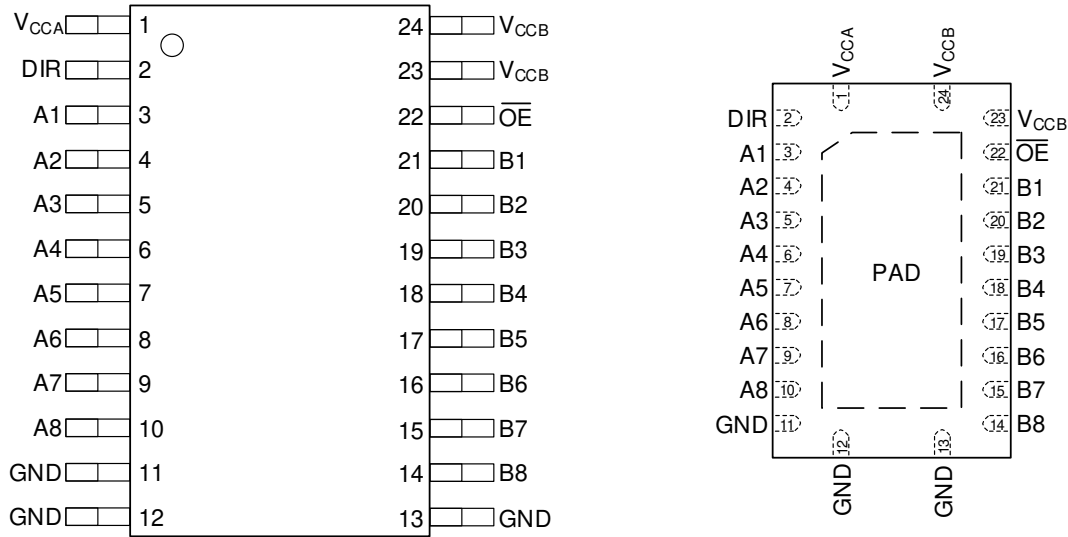
<b>1 特性</b> .....	1	7.1 Load Circuit and Voltage Waveforms.....	17
<b>2 应用</b> .....	1	<b>8 Detailed Description</b> .....	19
<b>3 说明</b> .....	1	8.1 Overview.....	19
<b>4 Revision History</b> .....	2	8.2 Functional Block Diagram.....	19
<b>5 Pin Configuration and Functions</b> .....	3	8.3 Feature Description.....	20
<b>6 Specifications</b> .....	4	8.4 Device Functional Modes.....	22
6.1 Absolute Maximum Ratings .....	4	<b>9 Application and Implementation</b> .....	23
6.2 ESD Ratings .....	4	9.1 Application Information.....	23
6.3 Recommended Operating Conditions .....	5	9.2 Typical Application.....	23
6.4 Thermal Information .....	5	<b>10 Power Supply Recommendations</b> .....	24
6.5 Electrical Characteristics .....	6	<b>11 Layout</b> .....	24
6.6 Switching Characteristics, $V_{CCA} = 1.2 \pm 0.1 V$ .....	9	11.1 Layout Guidelines.....	24
6.7 Switching Characteristics, $V_{CCA} = 1.5 \pm 0.1 V$ .....	10	11.2 Layout Example.....	24
6.8 Switching Characteristics, $V_{CCA} = 1.8 \pm 0.15 V$ .....	11	<b>12 Device and Documentation Support</b> .....	25
6.9 Switching Characteristics, $V_{CCA} = 2.5 \pm 0.2 V$ .....	12	12.1 Receiving Notification of Documentation Updates..	25
6.10 Switching Characteristics, $V_{CCA} = 3.3 \pm 0.3 V$ .....	13	12.2 Support Resources.....	25
6.11 Switching Characteristics, $V_{CCA} = 5.0 \pm 0.5 V$ .....	14	12.3 Trademarks.....	25
6.12 Switching Characteristics: $T_{sk}, T_{MAX}$ .....	15	12.4 Electrostatic Discharge Caution.....	25
6.13 Operating Characteristics .....	15	12.5 Glossary.....	25
6.14 Typical Characteristics.....	16	<b>13 Mechanical, Packaging, and Orderable Information</b> .....	25
<b>7 Parameter Measurement Information</b> .....	17		

## 4 Revision History

注：以前版本的页码可能与当前版本的页码不同

Changes from Revision * (September 2020) to Revision A (November 2020)	Page
• 将数据表的状态从 预告信息更改为 量产数据 .....	1

## 5 Pin Configuration and Functions



All packages are on the same relative scale

图 5-1. PW, and RHL Package 24-Pin TSSOP, and VQFN Transparent Top View

表 5-1. Pin Functions

PIN		I/O	DESCRIPTION
NAME	PW, RHL		
V <sub>CCA</sub>	1	—	A-port supply voltage. $1.1\text{ V} \leq V_{CCA} \leq 5.5\text{ V}$ .
DIR	2	I	Direction-control signal for all ports. Referenced to V <sub>CCA</sub> .
A1	3	I/O	Input/output A1. Referenced to V <sub>CCA</sub> .
A2	4	I/O	Input/output A2. Referenced to V <sub>CCA</sub> .
A3	5	I/O	Input/output A3. Referenced to V <sub>CCA</sub> .
A4	6	I/O	Input/output A4. Referenced to V <sub>CCA</sub> .
A5	7	I/O	Input/output A5. Referenced to V <sub>CCA</sub> .
A6	8	I/O	Input/output A6. Referenced to V <sub>CCA</sub> .
A7	9	I/O	Input/output A7. Referenced to V <sub>CCA</sub> .
A8	10	I/O	Input/output A8. Referenced to V <sub>CCA</sub> .
GND	11	—	Ground.
	12	—	Ground.
	13	—	Ground.
B8	14	I/O	Input/output B8. Referenced to V <sub>CCB</sub> .
B7	15	I/O	Input/output B7. Referenced to V <sub>CCB</sub> .
B6	16	I/O	Input/output B6. Referenced to V <sub>CCB</sub> .
B5	17	I/O	Input/output B5. Referenced to V <sub>CCB</sub> .
B4	18	I/O	Input/output B4. Referenced to V <sub>CCB</sub> .
B3	19	I/O	Input/output B3. Referenced to V <sub>CCB</sub> .
B2	20	I/O	Input/output B2. Referenced to V <sub>CCB</sub> .
B1	21	I/O	Input/output B1. Referenced to V <sub>CCB</sub> .
OE	22	I	Output Enable. Pull to GND to enable all outputs. Pull to V <sub>CCA</sub> to place all outputs in high-impedance mode. Referenced to V <sub>CCA</sub> .
V <sub>CCB</sub>	23	—	B-port supply voltage. $1.1\text{ V} \leq V_{CCB} \leq 5.5\text{ V}$ .
	24	—	B-port supply voltage. $1.1\text{ V} \leq V_{CCB} \leq 5.5\text{ V}$ .
PAD	—	—	Thermal pad. May be grounded (recommended) or left floating.

## 6 Specifications

### 6.1 Absolute Maximum Ratings

over operating free-air temperature range (unless otherwise noted)<sup>(1)</sup>

			MIN	MAX	UNIT
V <sub>CCA</sub>	Supply voltage A		- 0.5	6.5	V
V <sub>CCB</sub>	Supply voltage B		- 0.5	6.5	V
V <sub>I</sub>	Input Voltage <sup>(2)</sup>	I/O Ports (A Port)	- 0.5	6.5	V
		I/O Ports (B Port)	- 0.5	6.5	
		Control Inputs	- 0.5	6.5	
V <sub>O</sub>	Voltage applied to any output in the high-impedance or power-off state <sup>(2)</sup>	A Port	- 0.5	6.5	V
		B Port	- 0.5	6.5	
V <sub>O</sub>	Voltage applied to any output in the high or low state <sup>(2) (3)</sup>	A Port	- 0.5	V <sub>CCA</sub> + 0.5	V
		B Port	- 0.5	V <sub>CCB</sub> + 0.5	
I <sub>IK</sub>	Input clamp current	V <sub>I</sub> < 0	- 50		mA
I <sub>OK</sub>	Output clamp current	V <sub>O</sub> < 0	- 50		mA
I <sub>O</sub>	Continuous output current		- 50	50	mA
	Continuous current through V <sub>CC</sub> or GND		- 200	200	
T <sub>j</sub>	Junction Temperature			150	°C
T <sub>stg</sub>	Storage temperature		- 65	150	°C

- (1) Stresses beyond those listed under *Absolute Maximum Ratings* may cause permanent damage to the device. These are stress ratings only, which do not imply functional operation of the device at these or any other conditions beyond those indicated under *Recommended Operating Conditions*. Exposure beyond the limits listed in *Recommended Operating Conditions* may affect device reliability.
- (2) The input voltage and output negative-voltage ratings may be exceeded if the input and output current ratings are observed.
- (3) The output positive-voltage rating may be exceeded up to 6.5 V maximum if the output current rating is observed.

### 6.2 ESD Ratings

			VALUE	UNIT
V <sub>(ESD)</sub>	Electrostatic discharge	Human body model (HBM), per AEC Q100-002 <sup>(1)</sup>	±4000	V
		Charged device model (CDM), per AEC Q100-011	±1000	

- (1) AEC Q100-002 indicates that HBM stressing shall be in accordance with the ANSI/ESDA/JEDEC JS-001 specification.

### 6.3 Recommended Operating Conditions

over operating free-air temperature range (unless otherwise noted) (1) (2) (3)

		MIN	MAX	UNIT	
V <sub>CCA</sub>	Supply voltage A	1.1	5.5	V	
V <sub>CCB</sub>	Supply voltage B	1.1	5.5	V	
I <sub>OH</sub>	High-level output current	V <sub>CCO</sub> = 1.1 V	-0.1	mA	
		V <sub>CCO</sub> = 1.4 V	-2		
		V <sub>CCO</sub> = 1.65 V	-4		
		V <sub>CCO</sub> = 2.3 V	-12		
		V <sub>CCO</sub> = 3 V	-24		
		V <sub>CCO</sub> = 4.5 V	-32		
I <sub>OL</sub>	Low-level output current	V <sub>CCO</sub> = 1.1 V	0.1	mA	
		V <sub>CCO</sub> = 1.4 V	2		
		V <sub>CCO</sub> = 1.65 V	4		
		V <sub>CCO</sub> = 2.3 V	12		
		V <sub>CCO</sub> = 3 V	24		
		V <sub>CCO</sub> = 4.5 V	32		
V <sub>I</sub>	Input voltage (3)	0	5.5	V	
V <sub>O</sub>	Output voltage	Active State	0	V <sub>CCO</sub>	V
		Tri-State	0	5.5	
T <sub>A</sub>	Operating free-air temperature	-40	125	°C	

- (1) V<sub>CCI</sub> is the V<sub>CC</sub> associated with the input port.
- (2) V<sub>CCO</sub> is the V<sub>CC</sub> associated with the output port.
- (3) All control inputs and data I/Os of this device have weak pulldowns to ensure the line is not floating when undefined external to the device. The input leakage from these weak pulldowns is defined by the I<sub>I</sub> specification indicated under [Electrical Characteristics](#).

### 6.4 Thermal Information

THERMAL METRIC <sup>(1)</sup>		SN74LXC8T245			UNIT
		PW (TSSOP)	RHL (VQFN)	RJW (UQFN)	
		24 PINS	24 PINS	24 PINS	
R <sub>θJA</sub>	Junction-to-ambient thermal resistance	99.6	47.4	TBD	°C/W
R <sub>θJC(top)</sub>	Junction-to-case (top) thermal resistance	43.7	42.6	TBD	°C/W
R <sub>θJB</sub>	Junction-to-board thermal resistance	54.7	25.1	TBD	°C/W
Y <sub>JT</sub>	Junction-to-top characterization parameter	6.4	2.7	TBD	°C/W
Y <sub>JB</sub>	Junction-to-board characterization parameter	54.3	25.1	TBD	°C/W
R <sub>θJC(bottom)</sub>	Junction-to-case (bottom) thermal resistance	N/A	14.9	TBD	°C/W

- (1) For more information about traditional and new thermal metrics, see the [Semiconductor and IC Package Thermal Metrics](#) application report.

## 6.5 Electrical Characteristics

over operating free-air temperature range (unless otherwise noted)<sup>(1) (2)</sup>

PARAMETER	TEST CONDITIONS	V <sub>CCA</sub>	V <sub>CCB</sub>	Operating free-air temperature (T <sub>A</sub> )									UNIT
				25°C			- 40°C to 85°C			- 40°C to 125°C			
				MIN	TYP	MAX	MIN	TYP	MAX	MIN	TYP	MAX	
V <sub>T+</sub>	Positive-going input-threshold voltage	Data Inputs (Ax, Bx) (Referenced to V <sub>CCI</sub> )	1.1 V	1.1 V			0.44	0.88	0.44	0.88	V		
			1.4 V	1.4 V			0.60	0.98	0.60	0.98			
			1.65 V	1.65 V			0.76	1.13	0.76	1.13			
			2.3 V	2.3 V			1.08	1.56	1.08	1.56			
			3 V	3 V			1.48	1.92	1.48	1.92			
			4.5 V	4.5 V			2.19	2.74	2.19	2.74			
			5.5 V	5.5 V			2.65	3.33	2.65	3.33			
		Control Inputs (OE, DIR) (Referenced to V <sub>CCA</sub> )	1.1 V	1.1 V			0.44	0.88	0.44	0.88	V		
			1.4 V	1.4 V			0.60	0.98	0.60	0.98			
			1.65 V	1.65 V			0.76	1.13	0.76	1.13			
			2.3 V	2.3 V			1.08	1.56	1.08	1.56			
			3 V	3 V			1.48	1.92	1.48	1.92			
			4.5 V	4.5 V			2.19	2.74	2.19	2.74			
			5.5 V	5.5 V			2.65	3.33	2.65	3.33			
V <sub>T-</sub>	Negative-going input-threshold voltage	Data Inputs (Ax, Bx) (Referenced to V <sub>CCI</sub> )	1.1 V	1.1 V			0.17	0.48	0.17	0.48	V		
			1.4 V	1.4 V			0.28	0.59	0.28	0.59			
			1.65 V	1.65 V			0.35	0.69	0.35	0.69			
			2.3 V	2.3 V			0.56	0.97	0.56	0.97			
			3 V	3 V			0.89	1.5	0.89	1.5			
			4.5 V	4.5 V			1.51	1.97	1.51	1.97			
			5.5 V	5.5 V			1.88	2.4	1.88	2.4			
		Control Inputs (OE, DIR) (Referenced to V <sub>CCA</sub> )	1.1 V	1.1 V			0.17	0.48	0.17	0.48	V		
			1.4 V	1.4 V			0.28	0.6	0.28	0.6			
			1.65 V	1.65 V			0.35	0.71	0.35	0.71			
			2.3 V	2.3 V			0.56	1	0.56	1			
			3 V	3 V			0.89	1.5	0.89	1.5			
			4.5 V	4.5 V			1.51	2	1.51	2			
			5.5 V	5.5 V			1.88	2.46	1.88	2.46			
ΔV <sub>T</sub>	Input-threshold hysteresis (V <sub>T+</sub> - V <sub>T-</sub> )	Data Inputs (Ax, Bx) (Referenced to V <sub>CCI</sub> )	1.1 V	1.1 V			0.2	0.4	0.2	0.4	V		
			1.4 V	1.4 V			0.25	0.5	0.25	0.5			
			1.65 V	1.65 V			0.3	0.55	0.3	0.55			
			2.3 V	2.3 V			0.38	0.65	0.38	0.65			
			3 V	3 V			0.46	0.72	0.46	0.72			
			4.5 V	4.5 V			0.58	0.93	0.58	0.93			
			5.5 V	5.5 V			0.69	1.06	0.69	1.06			
		Control Inputs (OE, DIR) (Referenced to V <sub>CCA</sub> )	1.1 V	1.1 V			0.2	0.4	0.2	0.4	V		
			1.4 V	1.4 V			0.25	0.5	0.25	0.5			
			1.65 V	1.65 V			0.3	0.55	0.3	0.55			
			2.3 V	2.3 V			0.38	0.65	0.38	0.65			
			3 V	3 V			0.46	0.72	0.46	0.72			
			4.5 V	4.5 V			0.58	0.93	0.58	0.93			
			5.5 V	5.5 V			0.69	1.06	0.69	1.06			

## 6.5 Electrical Characteristics (continued)

over operating free-air temperature range (unless otherwise noted)<sup>(1) (2)</sup>

PARAMETER	TEST CONDITIONS	V <sub>CCA</sub>	V <sub>CCB</sub>	Operating free-air temperature (T <sub>A</sub> )									UNIT
				25°C			- 40°C to 85°C			- 40°C to 125°C			
				MIN	TYP	MAX	MIN	TYP	MAX	MIN	TYP	MAX	
V <sub>OH</sub>	High-level output voltage <sup>(3)</sup>	I <sub>OH</sub> = - 100 μA	1.1 V - 5.5 V	1.1 V - 5.5 V				V <sub>CCO</sub> -			V <sub>CCO</sub> -	V	
								0.1			0.1		
		I <sub>OH</sub> = - 4 mA	1.4 V	1.4 V				1			1		
		I <sub>OH</sub> = - 8 mA	1.65 V	1.65 V				1.2			1.2		
		I <sub>OH</sub> = - 12 mA	2.3 V	2.3 V				1.9			1.9		
		I <sub>OH</sub> = - 24 mA	3 V	3 V				2.4			2.4		
		I <sub>OH</sub> = - 32 mA	4.5 V	4.5 V						3.8		3.8	
V <sub>OL</sub>	Low-level output voltage <sup>(4)</sup>	I <sub>OL</sub> = 100 μA	1.1 V - 5.5 V	1.1 V - 5.5 V						0.1		0.1	
										0.3		0.3	
		I <sub>OL</sub> = 4 mA	1.4 V	1.4 V							0.45		0.45
		I <sub>OL</sub> = 8 mA	1.65 V	1.65 V							0.3		0.3
		I <sub>OL</sub> = 12 mA	2.3 V	2.3 V							0.55		0.55
		I <sub>OL</sub> = 24 mA	3 V	3 V							0.55		0.55
		I <sub>OL</sub> = 32 mA	4.5 V	4.5 V						0.55		0.55	
I <sub>I</sub>	Input leakage current	Control inputs (DIR, $\overline{OE}$ ) V <sub>I</sub> = V <sub>CCA</sub> or GND	1.1 V - 5.5 V	1.1 V - 5.5 V	-0.1	1.5	-0.1	2	-0.1	2		μA	
		Data Inputs (A <sub>x</sub> , B <sub>x</sub> ) V <sub>I</sub> = V <sub>CC1</sub> or GND	1.1 V - 5.5 V	1.1 V - 5.5 V	-0.3	0.3	-1	1	-2	2		μA	
I <sub>off</sub>	Partial power down current	A Port or B Port V <sub>I</sub> or V <sub>O</sub> = 0 V - 5.5 V	0 V	0 V - 5.5 V	-1.5	1.5	-2	2	-2.5	2.5		μA	
			0 V - 5.5 V	0 V	-1.5	1.5	-2	2	-2.5	2.5		μA	
I <sub>off-float</sub>	Floating supply Partial power down current	A Port or B Port V <sub>I</sub> or V <sub>O</sub> = GND	Floating <sup>(6)</sup>	0 V - 5.5 V	-1.5	1.5	-2	2	-2.5	2.5		μA	
			0 V - 5.5 V	Floating <sup>(6)</sup>	-1.5	1.5	-2	2	-2.5	2.5		μA	
I <sub>OZ</sub>	Tri-state output current <sup>(5)</sup>	A or B Port: V <sub>I</sub> = V <sub>CC1</sub> or GND V <sub>O</sub> = V <sub>CCO</sub> or GND $\overline{OE}$ = V <sub>T+(MAX)</sub>	1.1 V - 5.5 V	1.1 V - 5.5 V	-0.3	0.3	-1	1	-2	2		μA	
I <sub>CCA</sub>	V <sub>CCA</sub> supply current	V <sub>I</sub> = V <sub>CC1</sub> or GND I <sub>O</sub> = 0	1.1 V - 5.5 V	1.1 V - 5.5 V			2		4	8		μA	
			0 V	5.5 V	-0.2		-0.5		-1				
			5.5 V	0 V			1		2		4		
		V <sub>I</sub> = GND I <sub>O</sub> = 0	5.5 V	Floating <sup>(6)</sup>			2		4	8		μA	
I <sub>CCB</sub>	V <sub>CCB</sub> supply current	V <sub>I</sub> = V <sub>CC1</sub> or GND I <sub>O</sub> = 0	1.1 V - 5.5 V	1.1 V - 5.5 V			2		4	8		μA	
			0 V	5.5 V			1		2	4			
			5.5 V	0 V	-0.2		-0.5		-1				
			Floating <sup>(6)</sup>	5.5 V			2		4	8			
I <sub>CCA</sub> + I <sub>CCB</sub>	Combined supply current	V <sub>I</sub> = V <sub>CC1</sub> or GND I <sub>O</sub> = 0	1.1 V - 5.5 V	1.1 V - 5.5 V			4		8	12		μA	

## 6.5 Electrical Characteristics (continued)

over operating free-air temperature range (unless otherwise noted)<sup>(1) (2)</sup>

PARAMETER	TEST CONDITIONS	V <sub>CCA</sub>	V <sub>CCB</sub>	Operating free-air temperature (T <sub>A</sub> )									UNIT	
				25°C			- 40°C to 85°C			- 40°C to 125°C				
				MIN	TYP	MAX	MIN	TYP	MAX	MIN	TYP	MAX		
Δ I <sub>CCA</sub>	V <sub>CCA</sub> additional supply current per input Control inputs (DIR, OE): V <sub>I</sub> = V <sub>CCA</sub> - 0.6 V A port = V <sub>CCA</sub> or GND B Port = open	3.0 V - 5.5 V	3.0 V - 5.5 V							50			75	μA
		A Port: V <sub>I</sub> = V <sub>CCA</sub> - 0.6 V DIR = V <sub>CCA</sub> , B Port = open	3.0 V - 5.5 V	3.0 V - 5.5 V							50			
Δ I <sub>CCB</sub>	V <sub>CCB</sub> additional supply current per input B Port: V <sub>I</sub> = V <sub>CCB</sub> - 0.6 V DIR = GND, A Port = open	3.0 V - 5.5 V	3.0 V - 5.5 V							50			75	μA
C <sub>i</sub>	Control Input Capacitance V <sub>I</sub> = 3.3 V or GND	3.3 V	3.3 V			2.6				5			5	pF
C <sub>io</sub>	Data I/O Capacitance OE = V <sub>CCA</sub> , V <sub>O</sub> = 1.65V DC +1 MHz -16 dBm sine wave	3.3 V	3.3 V			5.8				10			10	pF

- (1) V<sub>CCI</sub> is the V<sub>CC</sub> associated with the input port.
- (2) V<sub>CCO</sub> is the V<sub>CC</sub> associated with the output port.
- (3) Tested at V<sub>I</sub> = V<sub>T+(MAX)</sub>.
- (4) Tested at V<sub>I</sub> = V<sub>T-(MIN)</sub>.
- (5) For I/O ports, the parameter I<sub>OZ</sub> includes the input leakage current.
- (6) Floating is defined as a node that is both not actively driven by an external device and has leakage not exceeding 10nA.

## 6.6 Switching Characteristics, $V_{CCA} = 1.2 \pm 0.1 \text{ V}$

See 图 7-1 and 表 7-1 for test circuit and loading. See 图 7-2, 图 7-3, and 图 7-4 for measurement waveforms.

PARAMETER	FROM	TO	TEST CONDITIONS	B-PORT SUPPLY VOLTAGE ( $V_{CCB}$ )												UNIT						
				1.2 ± 0.1 V			1.5 ± 0.1 V			1.8 ± 0.15 V			2.5 ± 0.2 V				3.3 ± 0.3 V			5.0 ± 0.5 V		
				MIN	TYP	MAX	MIN	TYP	MAX	MIN	TYP	MAX	MIN	TYP	MAX		MIN	TYP	MAX	MIN	TYP	MAX
$t_{pd}$	Propagation delay	A	B	- 40°C to 85°C	10	65	10	31	7	25	7	24	5	22	5	21	ns					
				- 40°C to 125°C	10	70	10	33	7	27	7	26	5	24	5	23						
		B	A	- 40°C to 85°C	10	62	10	55	10	49	8	42	8	40	8	39						
				- 40°C to 125°C	10	68	10	60	10	54	8	47	8	45	8	44						
$t_{dis}$	Disable time	$\overline{OE}$	A	- 40°C to 85°C	20	64	20	64	20	64	20	64	20	64	20	64	ns					
				- 40°C to 125°C	20	69	20	69	20	69	20	69	20	69	20	69						
		$\overline{OE}$	B	- 40°C to 85°C	20	80	20	62	20	54	20	48	20	47	20	45						
				- 40°C to 125°C	20	85	20	67	20	59	20	52	20	50	20	48						
$t_{en}$	Enable time	$\overline{OE}$	A	- 40°C to 85°C	20	90	20	91	20	91	20	91	20	90	20	90	ns					
				- 40°C to 125°C	20	97	20	98	20	97	20	96	20	96	20	96						
		$\overline{OE}$	B	- 40°C to 85°C	20	95	20	57	15	48	10	38	10	36	10	36						
				- 40°C to 125°C	20	100	20	61	15	53	10	42	10	39	10	39						

## 6.7 Switching Characteristics, $V_{CCA} = 1.5 \pm 0.1 \text{ V}$

See 图 7-1 and 表 7-1 for test circuit and loading. See 图 7-2, 图 7-3, and 图 7-4 for measurement waveforms.

PARAMETER	FROM	TO	TEST CONDITIONS	B - PORT SUPPLY VOLTAGE ( $V_{CCB}$ )												UNIT						
				1.2 ± 0.1 V			1.5 ± 0.1 V			1.8 ± 0.15 V			2.5 ± 0.2 V				3.3 ± 0.3 V			5.0 ± 0.5 V		
				MIN	TYP	MAX	MIN	TYP	MAX	MIN	TYP	MAX	MIN	TYP	MAX		MIN	TYP	MAX	MIN	TYP	MAX
$t_{pd}$	Propagation delay	A	B	- 40°C to 85°C	10	52	5	25	5	23	5	17	5	14	3	13	ns					
				- 40°C to 125°C	10	57	5	26	5	23	5	18	5	16	3	14						
		B	A	- 40°C to 85°C	8	36	7	28	7	26	5	20	5	18	5	17						
				- 40°C to 125°C	8	40	7	29	7	26	5	22	5	20	5	18						
$t_{dis}$	Disable time	$\overline{OE}$	A	- 40°C to 85°C	15	40	15	40	15	40	15	40	15	40	15	40	ns					
				- 40°C to 125°C	15	44	15	44	15	44	15	44	15	44	15	44						
		$\overline{OE}$	B	- 40°C to 85°C	20	69	20	50	15	45	15	35	15	34	14	31						
				- 40°C to 125°C	20	74	20	54	15	48	15	39	15	37	14	33						
$t_{en}$	Enable time	$\overline{OE}$	A	- 40°C to 85°C	15	48	15	48	15	48	15	48	15	48	15	48	ns					
				- 40°C to 125°C	15	52	15	52	15	52	15	52	15	52	15	52						
		$\overline{OE}$	B	- 40°C to 85°C	20	85	15	50	15	40	10	31	10	26	10	24						
				- 40°C to 125°C	20	91	15	54	15	44	10	33	10	29	10	26						

## 6.8 Switching Characteristics, $V_{CCA} = 1.8 \pm 0.15 \text{ V}$

See [图 7-1](#) and [表 7-1](#) for test circuit and loading. See [图 7-2](#), [图 7-3](#), and [图 7-4](#) for measurement waveforms.

PARAMETER	FROM	TO	TEST CONDITIONS	B - PORT SUPPLY VOLTAGE ( $V_{CCB}$ )												UNIT						
				1.2 ± 0.1 V			1.5 ± 0.1 V			1.8 ± 0.15 V			2.5 ± 0.2 V				3.3 ± 0.3 V			5.0 ± 0.5 V		
				MIN	TYP	MAX	MIN	TYP	MAX	MIN	TYP	MAX	MIN	TYP	MAX		MIN	TYP	MAX	MIN	TYP	MAX
$t_{pd}$	Propagation delay	A	B	- 40°C to 85°C	8	50	6	21	6	18	4	14	4	11	2	10	ns					
				- 40°C to 125°C	8	53	6	23	6	20	4	15	4	12	2	11						
		B	A	- 40°C to 85°C	5	32	5	21	5	19	4	17	4	15	4	15		ns				
				- 40°C to 125°C	5	33	5	23	5	21	4	18	4	16	4	16						
$t_{dis}$	Disable time	$\overline{OE}$	A	- 40°C to 85°C	10	34	10	33	10	33	10	33	10	33	10	33	ns					
				- 40°C to 125°C	10	36	10	35	10	35	10	35	10	35	10	35						
		$\overline{OE}$	B	- 40°C to 85°C	20	64	15	45	15	40	12	31	12	31	10	26		ns				
				- 40°C to 125°C	20	69	15	49	15	44	12	33	12	38	10	28						
$t_{en}$	Enable time	$\overline{OE}$	A	- 40°C to 85°C	10	38	10	38	10	38	10	38	10	38	10	38	ns					
				- 40°C to 125°C	10	40	10	40	10	40	10	40	10	40	10	40						
		$\overline{OE}$	B	- 40°C to 85°C	20	84	15	47	10	38	10	29	10	25	8	23		ns				
				- 40°C to 125°C	20	89	15	51	10	42	10	30	10	26	8	25						

## 6.9 Switching Characteristics, $V_{CCA} = 2.5 \pm 0.2 \text{ V}$

See 图 7-1 and 表 7-1 for test circuit and loading. See 图 7-2, 图 7-3, and 图 7-4 for measurement waveforms.

PARAMETER	FROM	TO	TEST CONDITIONS	B - PORT SUPPLY VOLTAGEe ( $V_{CCB}$ )												UNIT						
				1.2 ± 0.1 V			1.5 ± 0.1 V			1.8 ± 0.15 V			2.5 ± 0.2 V				3.3 ± 0.3 V			5.0 ± 0.5 V		
				MIN	TYP	MAX	MIN	TYP	MAX	MIN	TYP	MAX	MIN	TYP	MAX		MIN	TYP	MAX	MIN	TYP	MAX
$t_{pd}$	Propagation delay	A	B	- 40°C to 85°C	7	40	5	21	4	16	3	12	3	10	3	8	ns					
				- 40°C to 125°C	7	45	5	22	4	17	3	13	3	11	3	9						
		B	A	- 40°C to 85°C	5	26	5	16	5	15	4	12	3	11	3	10						
				- 40°C to 125°C	5	28	5	17	5	15	4	13	3	12	3	11						
$t_{dis}$	Disable time	$\overline{OE}$	A	- 40°C to 85°C	10	24	10	24	10	24	10	24	10	22	10	24	ns					
				- 40°C to 125°C	10	26	10	26	10	24	10	24	10	24	10	24						
		$\overline{OE}$	B	- 40°C to 85°C	15	56	15	41	12	34	12	25	10	24	10	21						
				- 40°C to 125°C	15	62	15	44	12	37	12	29	10	26	10	22						
$t_{en}$	Enable time	$\overline{OE}$	A	- 40°C to 85°C	8	25	8	25	8	25	8	25	8	25	8	25	ns					
				- 40°C to 125°C	8	27	8	27	8	27	8	27	8	27	8	27						
		$\overline{OE}$	B	- 40°C to 85°C	20	80	15	46	10	34	10	25	5	23	5	18						
				- 40°C to 125°C	20	86	15	48	10	37	10	27	5	25	5	20						

## 6.10 Switching Characteristics, $V_{CCA} = 3.3 \pm 0.3 \text{ V}$

See 图 7-1 and 表 7-1 for test circuit and loading. See 图 7-2, 图 7-3, and 图 7-4 for measurement waveforms.

PARAMETER	FROM	TO	TEST CONDITIONS	B - PORT SUPPLY VOLTAGE ( $V_{CCB}$ )												UNIT						
				1.2 ± 0.1 V			1.5 ± 0.1 V			1.8 ± 0.15 V			2.5 ± 0.2 V				3.3 ± 0.3 V			5.0 ± 0.5 V		
				MIN	TYP	MAX	MIN	TYP	MAX	MIN	TYP	MAX	MIN	TYP	MAX		MIN	TYP	MAX	MIN	TYP	MAX
$t_{pd}$	Propagation delay	A	B	- 40°C to 85°C	8	41	6	19	4	15	3	10	3	9	2	6.5	ns					
				- 40°C to 125°C	8	43	6	21	4	16	3	11	3	10	2	7.5						
		B	A	- 40°C to 85°C	5	22	5	15	4	12	3	10	3	9	3	8.5						
				- 40°C to 125°C	5	24	5	16	4	13	3	11	3	10	3	9						
$t_{dis}$	Disable time	$\overline{OE}$	A	- 40°C to 85°C	9	19	9	19	9	19	8	19	8	19	8	19	ns					
				- 40°C to 125°C	9	20	9	20	9	20	8	20	8	20	8	20						
		$\overline{OE}$	B	- 40°C to 85°C	15	52	15	38	12	32	10	23	10	22	9	18						
				- 40°C to 125°C	15	59	15	41	12	35	10	26	10	23	9	20						
$t_{en}$	Enable time	$\overline{OE}$	A	- 40°C to 85°C	5	20	5	20	5	20	5	20	5	20	5	20	ns					
				- 40°C to 125°C	5	22	5	22	5	22	5	22	5	22	5	22						
		$\overline{OE}$	B	- 40°C to 85°C	20	80	15	43	10	34	5	24	5	19	5	16						
				- 40°C to 125°C	20	85	15	46	10	36	5	27	5	21	5	18						

## 6.11 Switching Characteristics, $V_{CCA} = 5.0 \pm 0.5 \text{ V}$

See 图 7-1 and 表 7-1 for test circuit and loading. See 图 7-2, 图 7-3, and 图 7-4 for measurement waveforms.

PARAMETER	FROM	TO	TEST CONDITIONS	B - PORT SUPPLY VOLTAGE ( $V_{CCB}$ )												UNIT						
				1.2 ± 0.1 V			1.5 ± 0.1 V			1.8 ± 0.15 V			2.5 ± 0.2 V				3.3 ± 0.3 V			5.0 ± 0.5 V		
				MIN	TYP	MAX	MIN	TYP	MAX	MIN	TYP	MAX	MIN	TYP	MAX		MIN	TYP	MAX	MIN	TYP	MAX
$t_{pd}$	Propagation delay	A	B	- 40°C to 85°C	8	38	6	15	3	14	3	9.5	2	8	2	6	ns					
				- 40°C to 125°C	8	42	6	17	3	15	3	10.5	2	8.5	2	7						
		B	A	- 40°C to 85°C	5	22	4	13	3	10.5	3	8	2	7.5	2	7						
				- 40°C to 125°C	5	24	4	15	3	11.5	3	8.5	2	8	2	7.5						
$t_{dis}$	Disable time	$\overline{OE}$	A	- 40°C to 85°C	7	15	5	15	5	15	5	15	5	14	5	14	ns					
				- 40°C to 125°C	7	16	5	16	5	16	5	16	5	15	5	15						
		$\overline{OE}$	B	- 40°C to 85°C	15	52	12	33	10	31	10	22	10	21	5	16						
				- 40°C to 125°C	15	56	12	37	10	35	10	24	10	23	5	18						
$t_{en}$	Enable time	$\overline{OE}$	A	- 40°C to 85°C	5	15	5	15	5	15	5	15	5	15	5	15	ns					
				- 40°C to 125°C	5	16	5	16	5	16	5	16	5	16	5	16						
		$\overline{OE}$	B	- 40°C to 85°C	20	80	15	44	10	33	5	24	5	18	5	15						
				- 40°C to 125°C	20	85	15	48	10	35	5	26	5	20	5	17						

## 6.12 Switching Characteristics: $T_{sk}$ , $T_{MAX}$

over operating free-air temperature range (unless otherwise noted)

PARAMETER	TEST CONDITIONS		$V_{CCI}$	$V_{CCO}$	Operating temp ( $T_A$ )			UNIT
					-40°C to 125°C			
					MIN	TYP	MAX	
$T_{MAX}$ - Maximum Data Rate	50% Duty Cycle Input One channel switching 20% of pulse > 0.7* $V_{CCO}$ 20% of pulse < 0.3* $V_{CCO}$	Up Translation	3.0 V - 3.6 V	4.5 V - 5.5 V	200	420	Mbps	
			1.65 V - 1.95 V	4.5 V - 5.5 V	100	200		
			1.1 V - 1.3 V	4.5 V - 5.5 V	20	40		
			1.65 V - 1.95 V	3.0 V - 3.6 V	100	210		
			1.1 V - 1.3 V	3.0 V - 3.6 V	10	20		
			1.1 V - 1.3 V	1.65 V - 1.95 V	5	10		
		Down Translation	4.5 V - 5.5 V	3.0 V - 3.6 V	100	210		
			4.5 V - 5.5 V	1.65 V - 1.95 V	50	75		
			4.5 V - 5.5 V	1.1 V - 1.3 V	15	30		
			3.0 V - 3.6 V	1.65 V - 1.95 V	40	75		
			3.0 V - 3.6 V	1.1 V - 1.3 V	10	20		
			1.65 V - 1.95 V	1.1 V - 1.3 V	5	10		
$t_{sk}$ - Output skew	Timing skew between any two switching outputs within the same device	Up Translation	3.0 V - 3.6 V	4.5 V - 5.5 V			0.5	
			1.65 V - 1.95 V	4.5 V - 5.5 V			1	
			1.1 V - 1.3 V	4.5 V - 5.5 V			1.5	
			1.65 V - 1.95 V	3.0 V - 3.6 V			1	
			1.1 V - 1.3 V	3.0 V - 3.6 V			1.5	
			1.1 V - 1.3 V	1.65 V - 1.95 V			2	
		Down Translation	4.5 V - 5.5 V	3.0 V - 3.6 V			0.5	
			4.5 V - 5.5 V	1.65 V - 1.95 V			1	
			4.5 V - 5.5 V	1.1 V - 1.3 V			1.5	
			3.0 V - 3.6 V	1.65 V - 1.95 V			1	
			3.0 V - 3.6 V	1.1 V - 1.3 V			1.5	
			1.65 V - 1.95 V	1.1 V - 1.3 V			2	

## 6.13 Operating Characteristics

$T_A = 25^\circ\text{C}$  (1)

PARAMETER		Test Conditions	Supply Voltage ( $V_{CCB} = V_{CCA}$ )						UNIT
			1.2 ± 0.1V	1.5 ± 0.1V	1.8 ± 0.15V	2.5 ± 0.2V	3.3 ± 0.3V	5.0 ± 0.5V	
			TYP	TYP	TYP	TYP	TYP	TYP	
$C_{pdA}$ (2)	A to B: outputs enabled	A Port CL = 0, RL = Open f = 10 MHz $t_{rise} = t_{fall} = 1$ ns	2	2	2	2	2	3	pF
	A to B: outputs disabled		2	2	2	2	2	3	
	B to A: outputs enabled		12	12	12	13	13	16	
	B to A: outputs disabled		2	2	2	2	2	3	
$C_{pdB}$ (2)	A to B: outputs enabled	B Port CL = 0, RL = Open f = 10 MHz $t_{rise} = t_{fall} = 1$ ns	12	12	12	13	13	16	pF
	A to B: outputs disabled		2	2	2	2	2	3	
	B to A: outputs enabled		2	2	2	2	2	3	
	B to A: outputs disabled		2	2	2	2	2	3	

(1) For more information about power dissipation capacitance, see the [CMOS Power Consumption and Cpd Calculation](#) application report.

(2)  $C_{pdA}$  and  $C_{pdB}$  are respectively A-Port and B-Port power dissipation capacitances per transceiver.

### 6.14 Typical Characteristics

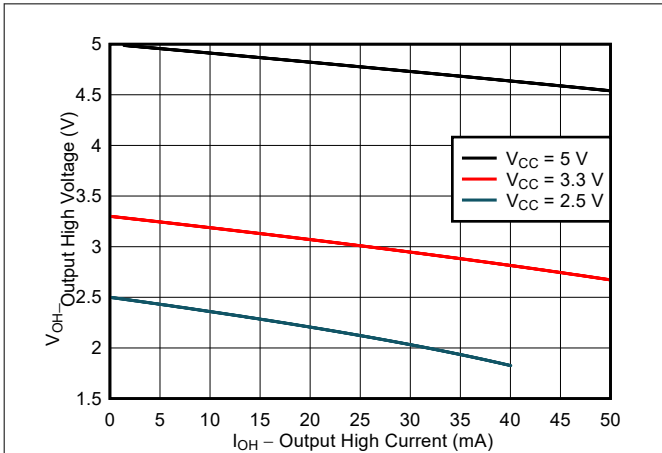


图 6-1. Typical ( $T_A=25^\circ\text{C}$ ) Output High Voltage ( $V_{OH}$ ) vs Source Current ( $I_{OH}$ )

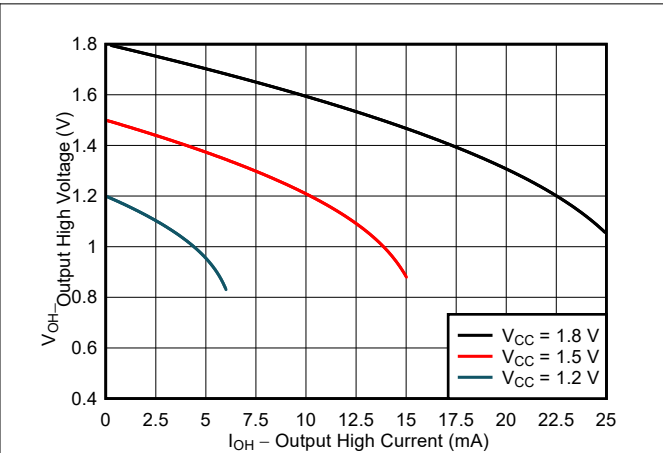


图 6-2. Typical ( $T_A=25^\circ\text{C}$ ) Output High Voltage ( $V_{OH}$ ) vs Source Current ( $I_{OH}$ )

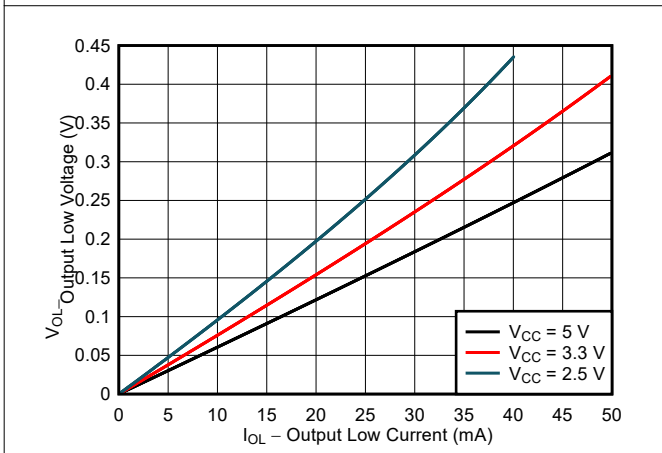


图 6-3. Typical ( $T_A=25^\circ\text{C}$ ) Output Low Voltage ( $V_{OL}$ ) vs Sink Current ( $I_{OL}$ )

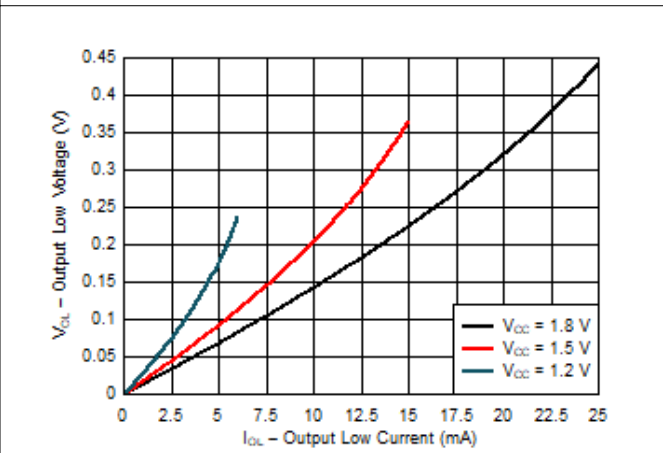


图 6-4. Typical ( $T_A=25^\circ\text{C}$ ) Output Low Voltage ( $V_{OL}$ ) vs Sink Current ( $I_{OL}$ )

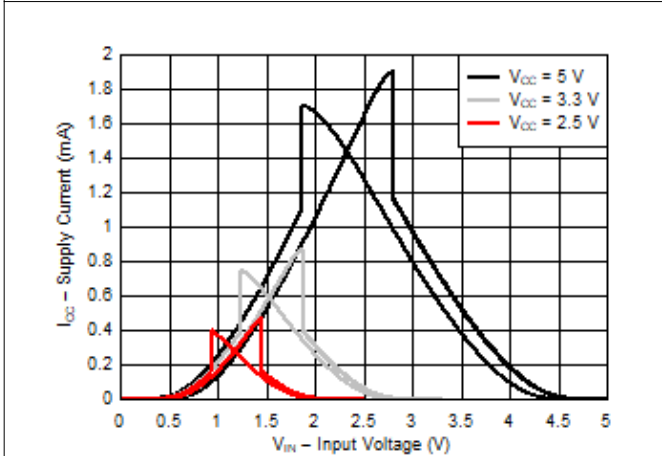


图 6-5. Typical ( $T_A=25^\circ\text{C}$ ) Supply Current ( $I_{CC}$ ) vs Input Voltage ( $V_{IN}$ )

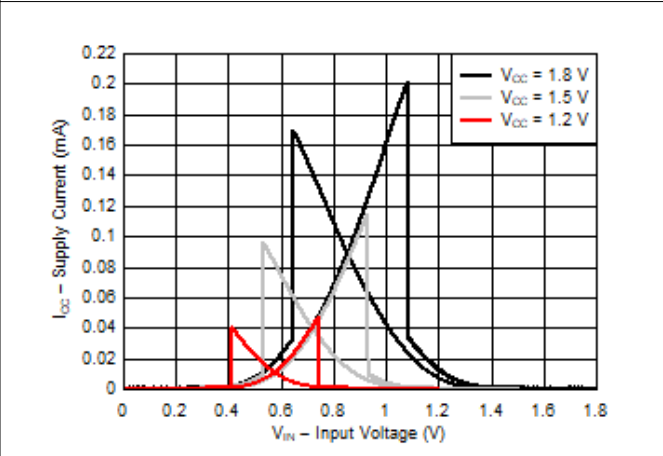


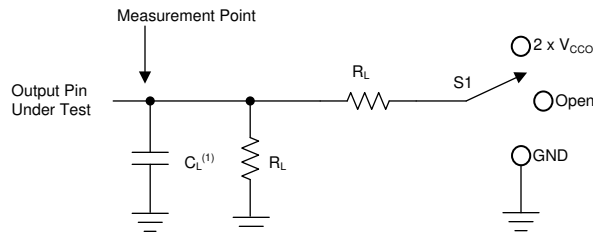
图 6-6. Typical ( $T_A=25^\circ\text{C}$ ) Supply Current ( $I_{CC}$ ) vs Input Voltage ( $V_{IN}$ )

## 7 Parameter Measurement Information

### 7.1 Load Circuit and Voltage Waveforms

Unless otherwise noted, all input pulses are supplied by generators having the following characteristics:

- $f = 1 \text{ MHz}$
- $Z_O = 50 \ \Omega$
- $\Delta t / \Delta V \leq 1 \text{ ns/V}$

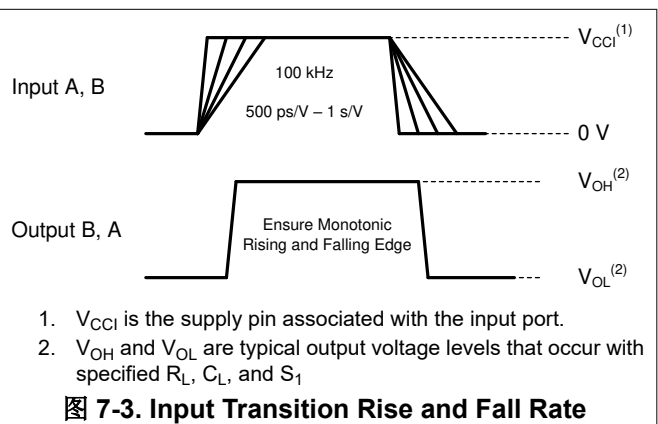
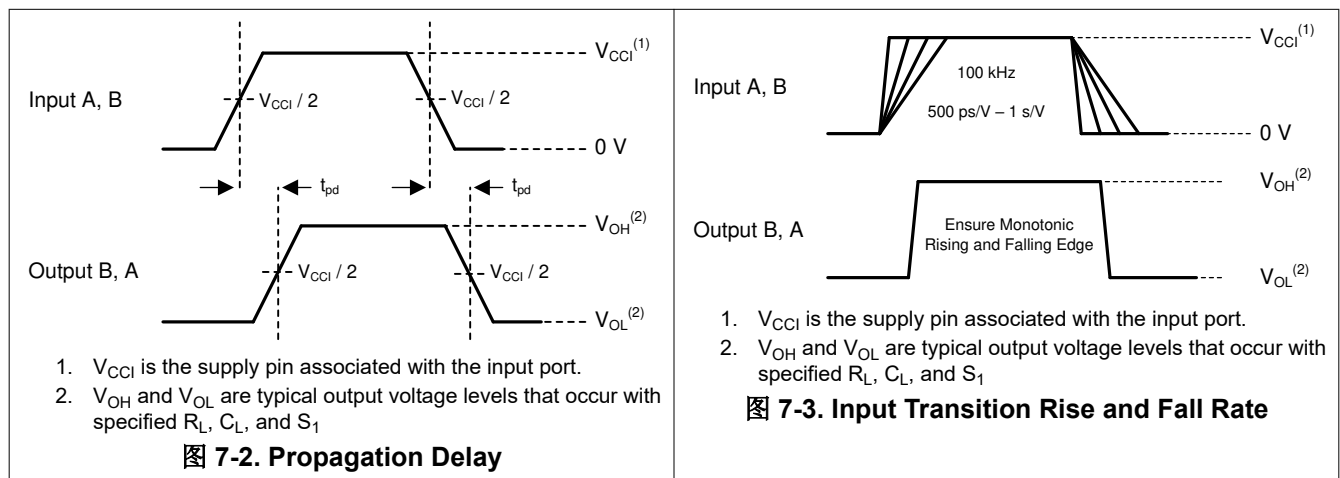


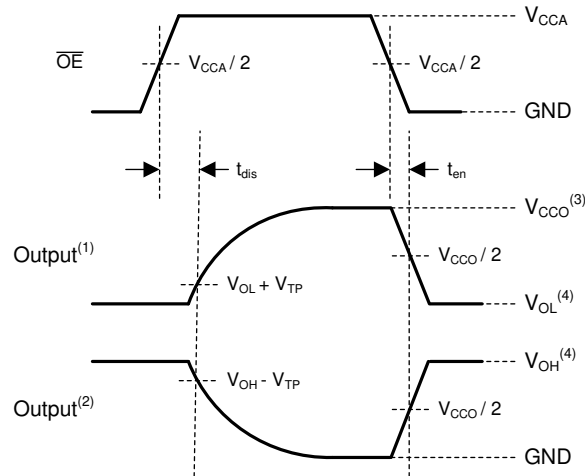
A.  $C_L$  includes probe and jig capacitance.

图 7-1. Load Circuit

表 7-1. Load Circuit Conditions

Parameter	$V_{CCO}$	$R_L$	$C_L$	$S_1$	$V_{TP}$
$t_{pd}$ Propagation (delay) time	1.1 V - 5.5 V	2 k $\Omega$	15 pF	Open	N/A
$t_{en}, t_{dis}$ Enable time, disable time	1.1 V - 1.6 V	2 k $\Omega$	15 pF	$2 \times V_{CCO}$	0.1 V
	1.65 V - 2.7 V	2 k $\Omega$	15 pF	$2 \times V_{CCO}$	0.15 V
	3.0 V - 5.5 V	2 k $\Omega$	15 pF	$2 \times V_{CCO}$	0.3 V
$t_{en}, t_{dis}$ Enable time, disable time	1.1 V - 1.6 V	2 k $\Omega$	15 pF	GND	0.1 V
	1.65 V - 2.7 V	2 k $\Omega$	15 pF	GND	0.15 V
	3.0 V - 5.5 V	2 k $\Omega$	15 pF	GND	0.3 V





- A. Output waveform on the condition that input is driven to a valid Logic Low.
- B. Output waveform on the condition that input is driven to a valid Logic High.
- C.  $V_{CCO}$  is the supply pin associated with the output port.
- D.  $V_{OH}$  and  $V_{OL}$  are typical output voltage levels with specified  $R_L$ ,  $C_L$ , and  $S_1$ .

**图 7-4. Enable Time And Disable Time**

## 8 Detailed Description

### 8.1 Overview

The SN74LXC8T245-Q1 is an 8-bit translating transceiver that uses two individually configurable power-supply rails. The device is operational with both  $V_{CCA}$  and  $V_{CCB}$  supplies as low as 1.1 V and as high as 5.5 V. Additionally, the device can be operated with  $V_{CCA} = V_{CCB}$ . The A port is designed to track  $V_{CCA}$ , and the B port is designed to track  $V_{CCB}$ .

The SN74LXC8T245-Q1 device is designed for asynchronous communication between data buses, and transmits data from the A bus to the B bus or from the B bus to the A bus based on the logic level of the direction-control input (DIR). The output-enable input ( $\overline{OE}$ ) is used to disable the outputs so the buses are effectively isolated. The control pins of the SN74LXC8T245-Q1 (DIR and  $\overline{OE}$ ) are referenced to  $V_{CCA}$ . To ensure the high-impedance state of the level shifter I/Os during power up or power down, the  $\overline{OE}$  pin should be tied to  $V_{CCA}$  through a pullup resistor.

This device is fully specified for partial-power-down applications using the  $I_{off}$  current. The  $I_{off}$  protection circuitry ensures that no excessive current is drawn from or sourced into an input, output, or I/O while the device is powered down.

The  $V_{CC}$  isolation or  $V_{CC}$  disconnect feature ensures that if either  $V_{CC}$  is less than 100 mV or disconnected with the complementary supply within recommended operating conditions, both I/O ports are weakly pulled-down and then set to the high-impedance state by disabling their outputs while the supply current is maintained. The  $I_{off-float}$  circuitry ensures that no excessive current is drawn from or sourced into an input, output, or I/O while the supply is floating.

Glitch-free power supply sequencing allows either supply rail to be powered on or off in any order while providing robust power sequencing performance.

### 8.2 Functional Block Diagram

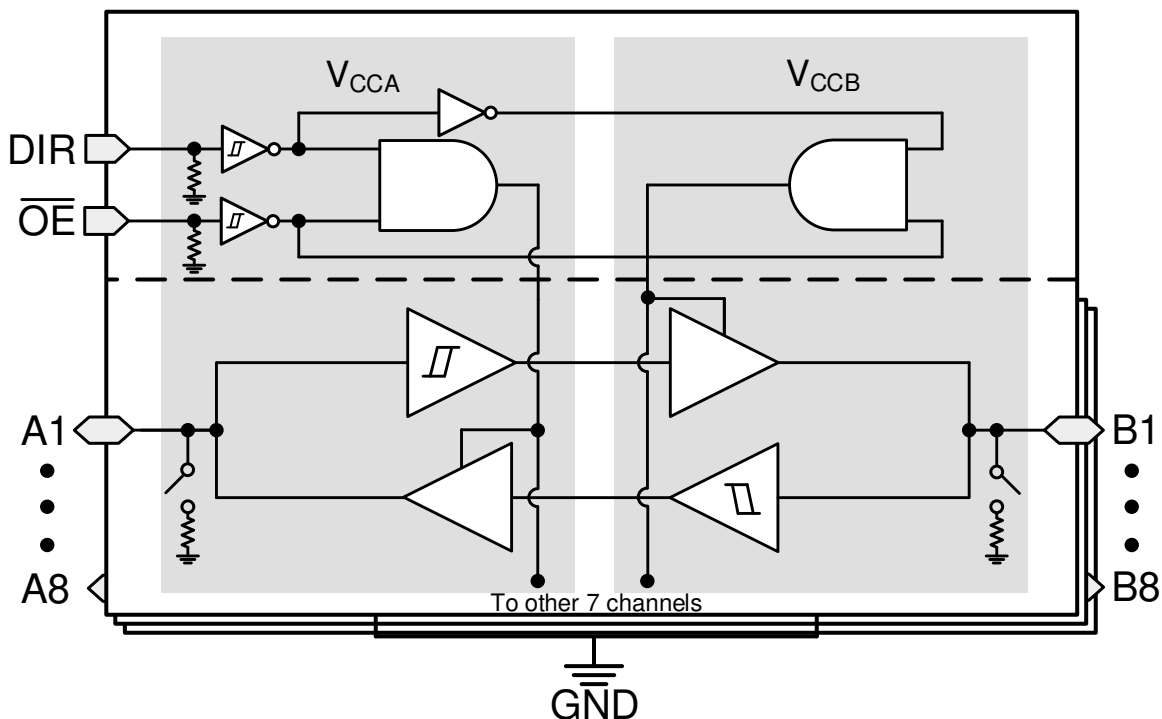


图 8-1. SN74LXC8T245-Q1 FBD

## 8.3 Feature Description

### 8.3.1 CMOS Schmitt-Trigger Inputs with Integrated Pulldowns

Standard CMOS inputs are high impedance and are typically modeled as a resistor in parallel with the input capacitance given in the [Electrical Characteristics](#). The worst case resistance is calculated with the maximum input voltage, given in the [Absolute Maximum Ratings](#), and the maximum input leakage current, given in the [Electrical Characteristics](#), using ohm's law ( $R = V \div I$ ).

The Schmitt-trigger input architecture provides hysteresis as defined by  $\Delta V_T$  in the [Electrical Characteristics](#), which makes this device extremely tolerant to slow or noisy inputs. Driving the inputs slowly will increase dynamic current consumption of the device. For additional information regarding Schmitt-trigger inputs, see [Understanding Schmitt Triggers](#).

#### 8.3.1.1 I/O's with Integrated Dynamic Pull-Down Resistors

Input circuits of the data I/O's are always active even when the device is disabled. It is recommended to keep a valid voltage level at the I/O's to avoid high current consumption. To help avoid floating inputs on the I/O's during disabling, this device has 100-k $\Omega$  typical integrated weak dynamic pull-downs on all data I/O's. When the device is disabled, the dynamic pull-downs are activated for only a short period of time to help drive and keep low any floating inputs before the device I/O's become high impedance. If the I/O lines are to be floated after the device is disabled, it is recommended to keep them at a valid input voltage level using external pull-downs. This feature is ideal for loads of 30 pF or less. If greater capacitive loading is present then external pull-downs are recommended. If an external pull-up is required, it should be no larger than 15 k $\Omega$  to avoid contention with the 100 k $\Omega$  internal pull-down.

#### 8.3.1.2 Control Inputs with Integrated Static Pull-Down Resistors

Similar to the data I/O's, floating control inputs can cause high current consumption. To help avoid this concern, this device has integrated weak static pull-downs of 5-M $\Omega$  typical on the control inputs (DIR and  $\overline{OE}$ ). These pull-downs are always present so for example if the DIR pin is left floating, then the B port will be configured as an input and the A port configured as an output.

### 8.3.2 Balanced High-Drive CMOS Push-Pull Outputs

A balanced output allows the device to sink and source similar currents. The high drive capability of this device creates fast edges into light loads so routing and load conditions should be considered to prevent ringing. Additionally, the outputs of this device are capable of driving larger currents than the device can sustain without being damaged. The electrical and thermal limits defined in the [Absolute Maximum Ratings](#) must be followed at all times.

### 8.3.3 Partial Power Down ( $I_{off}$ )

The inputs and outputs for this device enter a high-impedance state when the device is powered down, inhibiting current backflow into the device. The maximum leakage into or out of any input or output pin on the device is specified by  $I_{off}$  in the [Electrical Characteristics](#).

### 8.3.4 V<sub>CC</sub> Isolation and V<sub>CC</sub> Disconnect (I<sub>off-float</sub>)

This device has I/O's with [Integrated Dynamic Pull-Down Resistors](#). The I/O's will get pulled down and then enter a high-impedance state when either supply is < 100 mV or left floating (disconnected), while the other supply is still connected to the device. It is recommended that the I/O's for this device are not driven and kept at a logic low state prior to floating (disconnecting) either supply.

The maximum supply current is specified by I<sub>CCx</sub>, while V<sub>CCx</sub> is floating, in the [Electrical Characteristics](#). The maximum leakage into or out of any input or output pin on the device is specified by I<sub>off(float)</sub> in the [Electrical Characteristics](#).

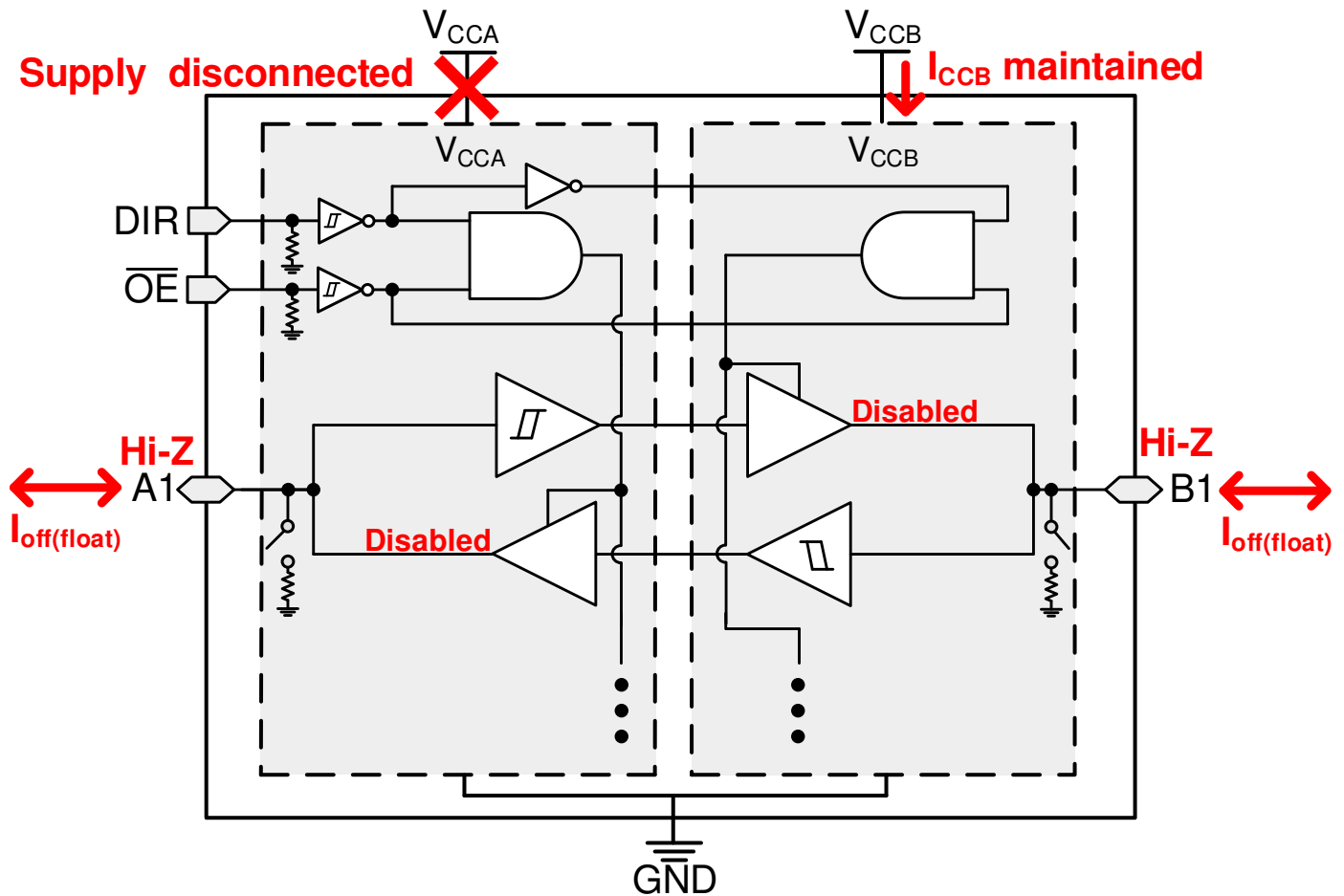


图 8-2. V<sub>CC</sub> Disconnect Feature

### 8.3.5 Over-voltage Tolerant Inputs

Input signals to this device can be driven above the supply voltage so long as they remain below the maximum input voltage value specified in the [Recommended Operating Conditions](#).

### 8.3.6 Glitch-free Power Supply Sequencing

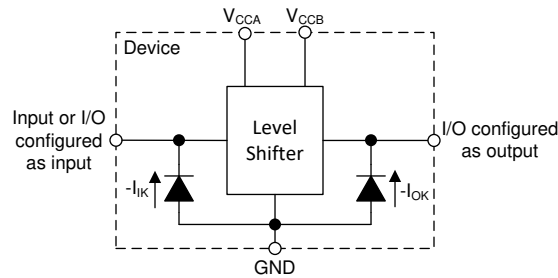
Either supply rail may be powered on or off in any order without producing a glitch on the I/Os (that is, where the output erroneously transitions to V<sub>CC</sub> when it should be held low or vice versa). Glitches of this nature can be misinterpreted by a peripheral as a valid data bit, which could trigger a false device reset of the peripheral, a false device configuration of the peripheral, or even a false data initialization by the peripheral.

### 8.3.7 Negative Clamping Diodes

The inputs and outputs to this device have negative clamping diodes as depicted in [图 8-3](#).

**CAUTION**

Voltages beyond the values specified in the [Absolute Maximum Ratings](#) table can cause damage to the device. The input negative-voltage and output voltage ratings may be exceeded if the input and output clamp-current ratings are observed.



**图 8-3. Electrical Placement of Clamping Diodes for Each Input and Output**

### 8.3.8 Fully Configurable Dual-Rail Design

Both the  $V_{CCA}$  and  $V_{CCB}$  pins can be supplied at any voltage from 1.1 V to 5.5 V, making the device suitable for translating between any of the voltage nodes (1.2 V, 1.5 V, 1.8 V, 3.3 V, and 5.0 V).

### 8.3.9 Supports High-Speed Translation

The SN74LXC8T245-Q1 device can support high data-rate applications. The translated signal data rate can be up to 420 Mbps when the signal is translated from 3.3 V to 5.0 V.

## 8.4 Device Functional Modes

**表 8-1. Function Table**

CONTROL INPUTS <sup>(1)</sup>		PORT STATUS		OPERATION
OE	DIR	A PORT	B PORT	
L	L	Output (Enabled)	Input (Hi-Z)	B data to A bus
L	H	Input (Hi-Z)	Output (Enabled)	A data to B bus
H	X	Input (Hi-Z)	Input (Hi-Z)	Isolation

(1) Input circuits of the data I/Os are always active and should be kept at a valid logic level.

## 9 Application and Implementation

### Note

Information in the following applications sections is not part of the TI component specification, and TI does not warrant its accuracy or completeness. TI's customers are responsible for determining suitability of components for their purposes. Customers should validate and test their design implementation to confirm system functionality.

### 9.1 Application Information

The SN74LXC8T245-Q1 device can be used in level-translation applications for interfacing devices or systems operating at different interface voltages with one another. The SN74LXC8T245-Q1 device is ideal for use in applications where a push-pull driver is connected to the data I/Os. The max data rate can be up to 420 Mbps when device translates a signal from 3.3 V to 5.0 V.

### 9.2 Typical Application

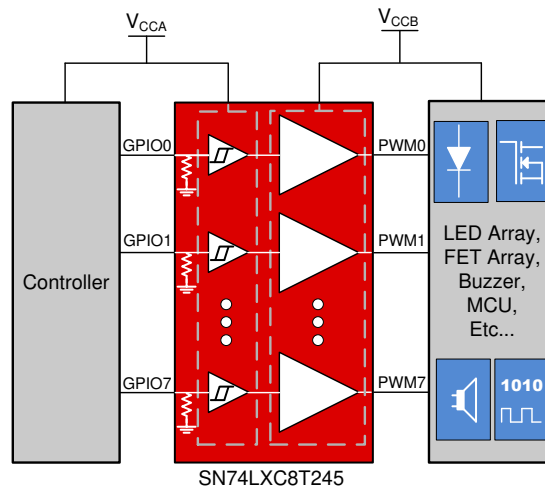


图 9-1. LED Driver Application

#### 9.2.1 Design Requirements

For this design example, use the parameters listed in 表 9-1.

表 9-1. Design Parameters

DESIGN PARAMETERS	EXAMPLE VALUES
Input voltage range	1.1 V to 5.5 V
Output voltage range	1.1 V to 5.5 V

#### 9.2.2 Detailed Design Procedure

To begin the design process, determine the following:

- Input voltage range
  - Use the supply voltage of the device that is driving the SN74LXC8T245-Q1 device to determine the input voltage range. For a valid logic-high, the value must exceed the positive-going input-threshold voltage ( $V_{t+}$ ) of the input port. For a valid logic low the value must be less than the negative-going input-threshold voltage ( $V_{t-}$ ) of the input port.
- Output voltage range
  - Use the supply voltage of the device that the SN74LXC8T245-Q1 device is driving to determine the output voltage range.

## 10 Power Supply Recommendations

Always apply a ground reference to the GND pins first. This device is designed for glitch free power sequencing without any supply sequencing requirements such as ramp order or ramp rate.

This device was designed with various power supply sequencing methods in mind to help prevent unintended triggering of downstream devices, as described in [Glitch-free Power Supply Sequencing](#).

## 11 Layout

### 11.1 Layout Guidelines

To ensure reliability of the device, following common printed-circuit board layout guidelines are recommended:

- Use bypass capacitors on the power supply pins and place them as close to the device as possible. A 0.1- $\mu$ F capacitor is recommended, but transient performance can be improved by having both 1- $\mu$ F and 0.1- $\mu$ F capacitors in parallel as bypass capacitors.
- The high drive capability of this device creates fast edges into light loads so routing and load conditions should be considered to prevent ringing.

### 11.2 Layout Example

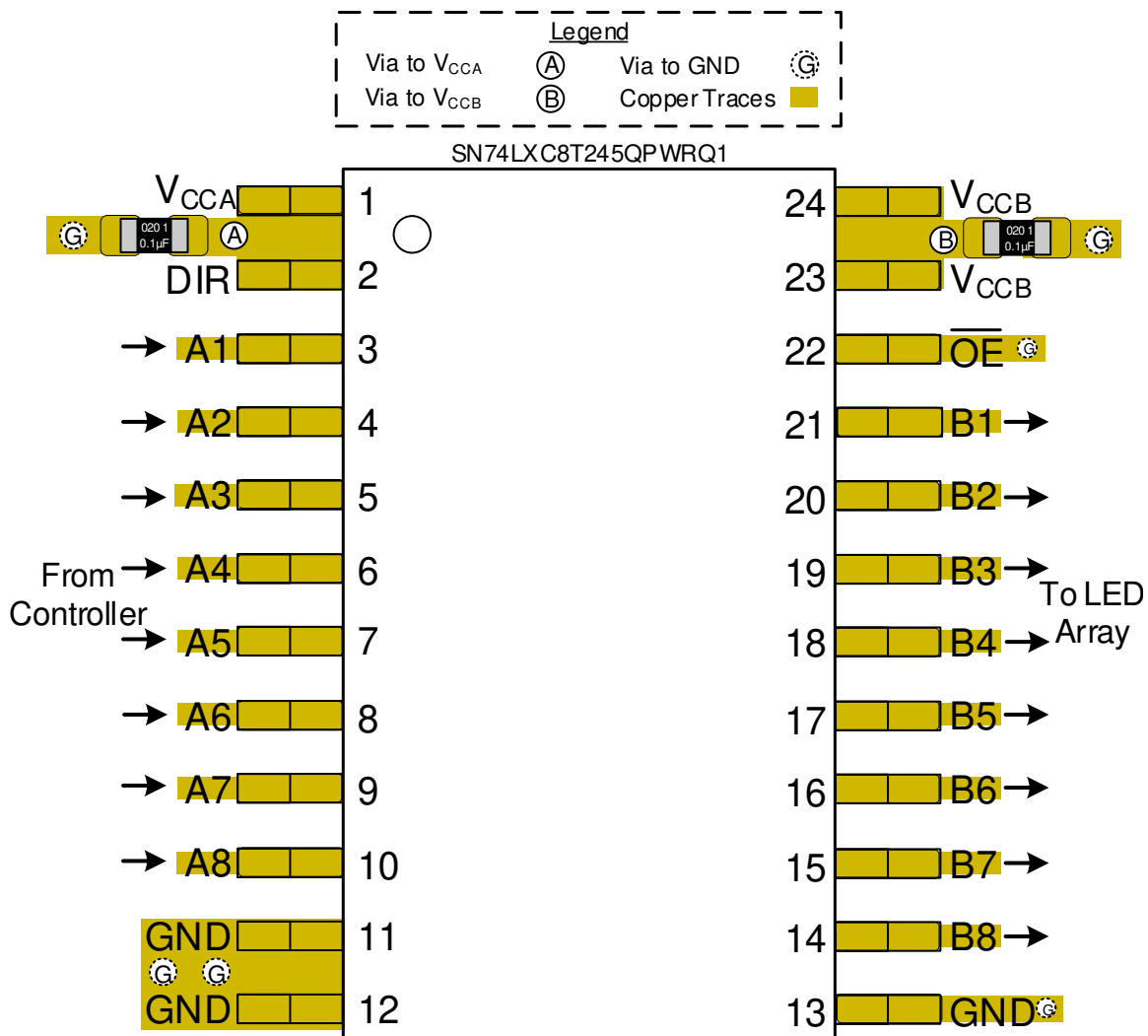


图 11-1. Layout Example - SN74LXC8T245PW-Q1

## 12 Device and Documentation Support

### 12.1 Receiving Notification of Documentation Updates

To receive notification of documentation updates, navigate to the device product folder on [ti.com](http://ti.com). Click on *Subscribe to updates* to register and receive a weekly digest of any product information that has changed. For change details, review the revision history included in any revised document.

### 12.2 Support Resources

[TI E2E™ support forums](#) are an engineer's go-to source for fast, verified answers and design help — straight from the experts. Search existing answers or ask your own question to get the quick design help you need.

Linked content is provided "AS IS" by the respective contributors. They do not constitute TI specifications and do not necessarily reflect TI's views; see TI's [Terms of Use](#).

### 12.3 Trademarks

TI E2E™ is a trademark of Texas Instruments.

所有商标均为其各自所有者的财产。

### 12.4 Electrostatic Discharge Caution



This integrated circuit can be damaged by ESD. Texas Instruments recommends that all integrated circuits be handled with appropriate precautions. Failure to observe proper handling and installation procedures can cause damage.

ESD damage can range from subtle performance degradation to complete device failure. Precision integrated circuits may be more susceptible to damage because very small parametric changes could cause the device not to meet its published specifications.

### 12.5 Glossary

[TI Glossary](#) This glossary lists and explains terms, acronyms, and definitions.

## 13 Mechanical, Packaging, and Orderable Information

The following pages include mechanical, packaging, and orderable information. This information is the most current data available for the designated devices. This data is subject to change without notice and revision of this document. For browser-based versions of this data sheet, refer to the left-hand navigation.

## 重要声明和免责声明

TI 提供技术和可靠性数据 (包括数据表)、设计资源 (包括参考设计)、应用或其他设计建议、网络工具、安全信息和其他资源, 不保证没有瑕疵且不做任何明示或暗示的担保, 包括但不限于对适销性、某特定用途方面的适用性或不侵犯任何第三方知识产权的暗示担保。

这些资源可供使用 TI 产品进行设计的熟练开发人员使用。您将独自承担以下全部责任: (1) 针对您的应用选择合适的 TI 产品, (2) 设计、验证并测试您的应用, (3) 确保您的应用满足相应标准以及任何其他安全、安保或其他要求。这些资源如有变更, 恕不另行通知。TI 授权您仅可将这些资源用于研发本资源所述的 TI 产品的应用。严禁对这些资源进行其他复制或展示。您无权使用任何其他 TI 知识产权或任何第三方知识产权。您应全额赔偿因在这些资源的使用中对 TI 及其代表造成的任何索赔、损害、成本、损失和债务, TI 对此概不负责。

TI 提供的产品受 TI 的销售条款 () 或 [Ti.com.cn](http://Ti.com.cn) 上其他适用条款/TI 产品随附的其他适用条款的约束。TI 提供这些资源并不会扩展或以其他方式更改 TI 针对 TI 产品发布的适用的担保或担保免责声明。

邮寄地址: Texas Instruments, Post Office Box 655303, Dallas, Texas 75265  
Copyright © 2020, 德州仪器 (TI) 公司

**PACKAGING INFORMATION**

Orderable Device	Status (1)	Package Type	Package Drawing	Pins	Package Qty	Eco Plan (2)	Lead finish/ Ball material (6)	MSL Peak Temp (3)	Op Temp (°C)	Device Marking (4/5)	Samples
CLXC8T245QRHLRQ1	ACTIVE	VQFN	RHL	24	3000	RoHS & Green	NIPDAU	Level-1-260C-UNLIM	-40 to 125	LX8T245Q	<a href="#">Samples</a>
SN74LXC8T245QPWRQ1	ACTIVE	TSSOP	PW	24	2000	RoHS & Green	NIPDAU	Level-1-260C-UNLIM	-40 to 125	LX8T245Q	<a href="#">Samples</a>

(1) The marketing status values are defined as follows:

**ACTIVE:** Product device recommended for new designs.

**LIFEBUY:** TI has announced that the device will be discontinued, and a lifetime-buy period is in effect.

**NRND:** Not recommended for new designs. Device is in production to support existing customers, but TI does not recommend using this part in a new design.

**PREVIEW:** Device has been announced but is not in production. Samples may or may not be available.

**OBSOLETE:** TI has discontinued the production of the device.

(2) **RoHS:** TI defines "RoHS" to mean semiconductor products that are compliant with the current EU RoHS requirements for all 10 RoHS substances, including the requirement that RoHS substance do not exceed 0.1% by weight in homogeneous materials. Where designed to be soldered at high temperatures, "RoHS" products are suitable for use in specified lead-free processes. TI may reference these types of products as "Pb-Free".

**RoHS Exempt:** TI defines "RoHS Exempt" to mean products that contain lead but are compliant with EU RoHS pursuant to a specific EU RoHS exemption.

**Green:** TI defines "Green" to mean the content of Chlorine (Cl) and Bromine (Br) based flame retardants meet JS709B low halogen requirements of <=1000ppm threshold. Antimony trioxide based flame retardants must also meet the <=1000ppm threshold requirement.

(3) MSL, Peak Temp. - The Moisture Sensitivity Level rating according to the JEDEC industry standard classifications, and peak solder temperature.

(4) There may be additional marking, which relates to the logo, the lot trace code information, or the environmental category on the device.

(5) Multiple Device Markings will be inside parentheses. Only one Device Marking contained in parentheses and separated by a "~" will appear on a device. If a line is indented then it is a continuation of the previous line and the two combined represent the entire Device Marking for that device.

(6) Lead finish/Ball material - Orderable Devices may have multiple material finish options. Finish options are separated by a vertical ruled line. Lead finish/Ball material values may wrap to two lines if the finish value exceeds the maximum column width.

**Important Information and Disclaimer:**The information provided on this page represents TI's knowledge and belief as of the date that it is provided. TI bases its knowledge and belief on information provided by third parties, and makes no representation or warranty as to the accuracy of such information. Efforts are underway to better integrate information from third parties. TI has taken and continues to take reasonable steps to provide representative and accurate information but may not have conducted destructive testing or chemical analysis on incoming materials and chemicals. TI and TI suppliers consider certain information to be proprietary, and thus CAS numbers and other limited information may not be available for release.

In no event shall TI's liability arising out of such information exceed the total purchase price of the TI part(s) at issue in this document sold by TI to Customer on an annual basis.



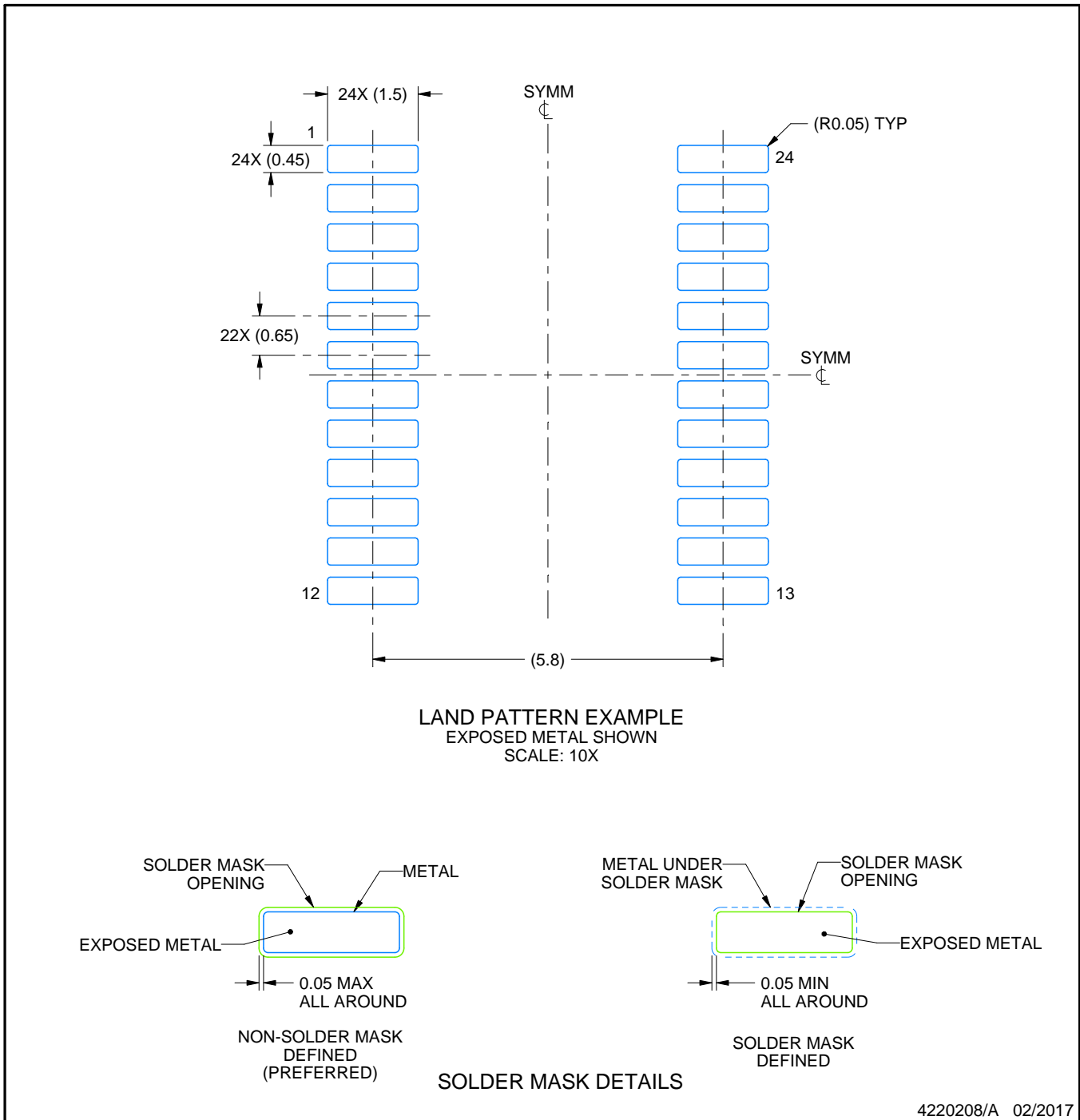


# EXAMPLE BOARD LAYOUT

PW0024A

TSSOP - 1.2 mm max height

SMALL OUTLINE PACKAGE



4220208/A 02/2017

NOTES: (continued)

- 6. Publication IPC-7351 may have alternate designs.
- 7. Solder mask tolerances between and around signal pads can vary based on board fabrication site.

# EXAMPLE STENCIL DESIGN

PW0024A

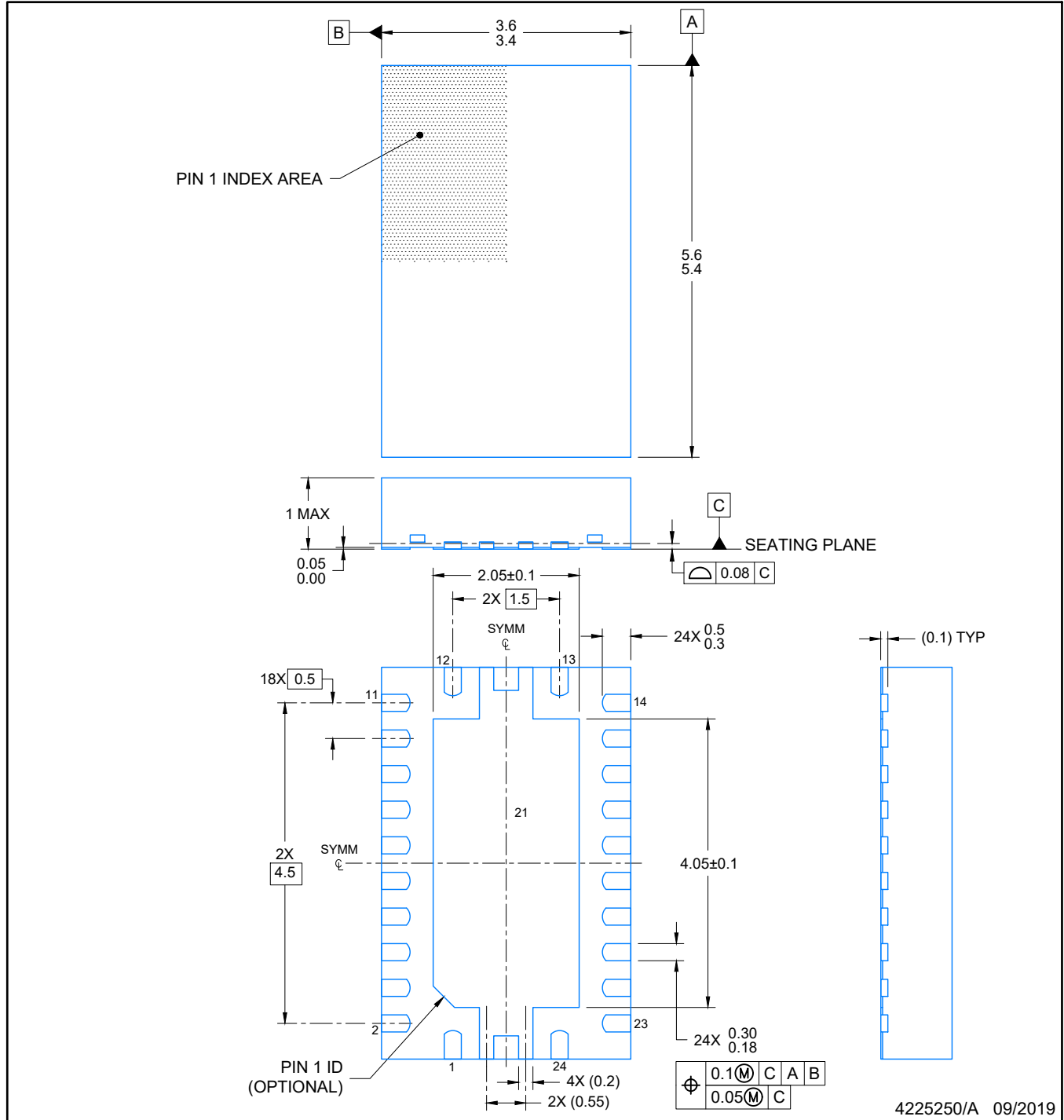
TSSOP - 1.2 mm max height

SMALL OUTLINE PACKAGE



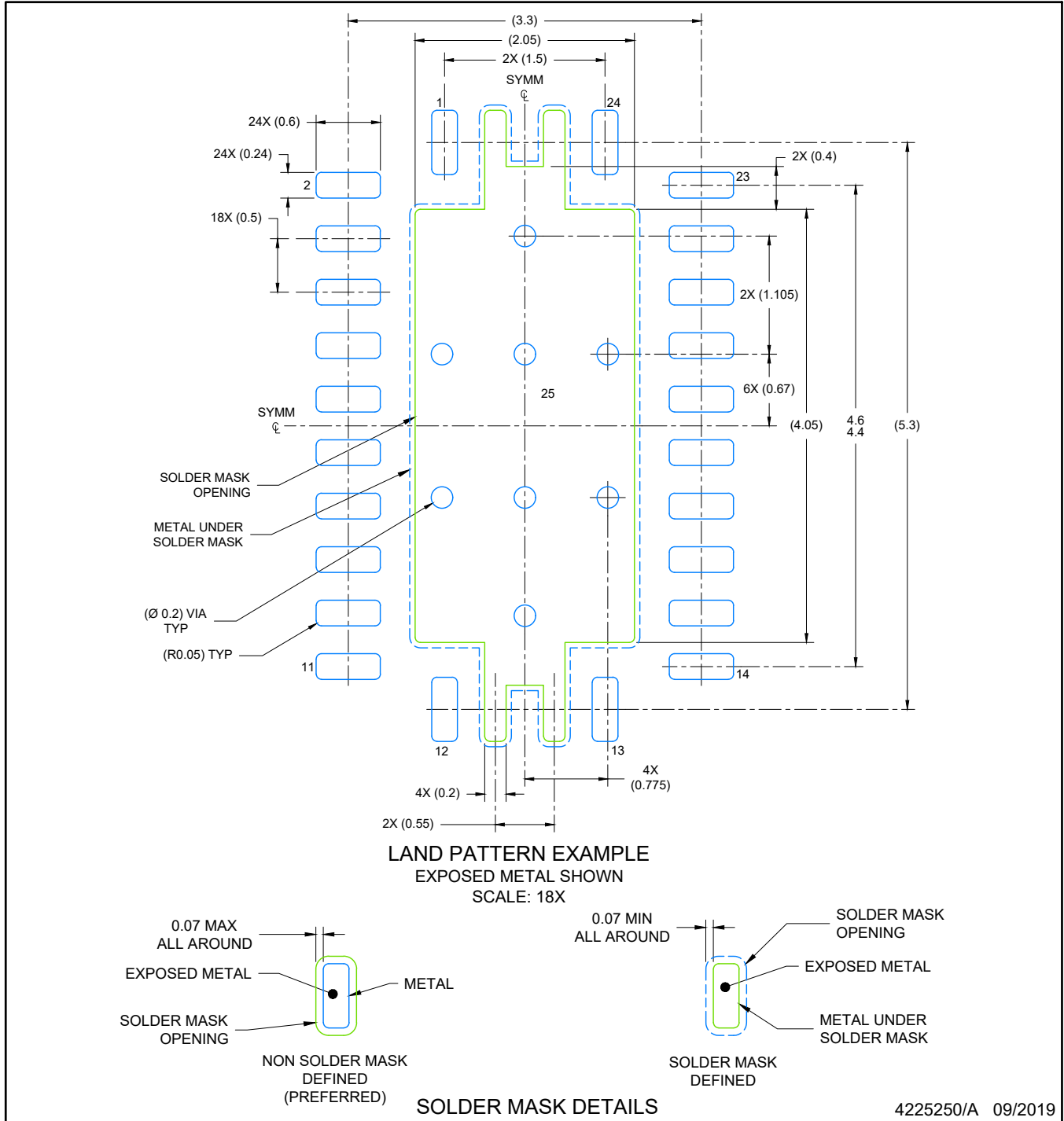
NOTES: (continued)

8. Laser cutting apertures with trapezoidal walls and rounded corners may offer better paste release. IPC-7525 may have alternate design recommendations.
9. Board assembly site may have different recommendations for stencil design.



NOTES:

1. All linear dimensions are in millimeters. Any dimensions in parenthesis are for reference only. Dimensioning and tolerancing per ASME Y14.5M.
2. This drawing is subject to change without notice.
3. The package thermal pad must be soldered to the printed circuit board for optimal thermal and mechanical performance.



NOTES: (continued)

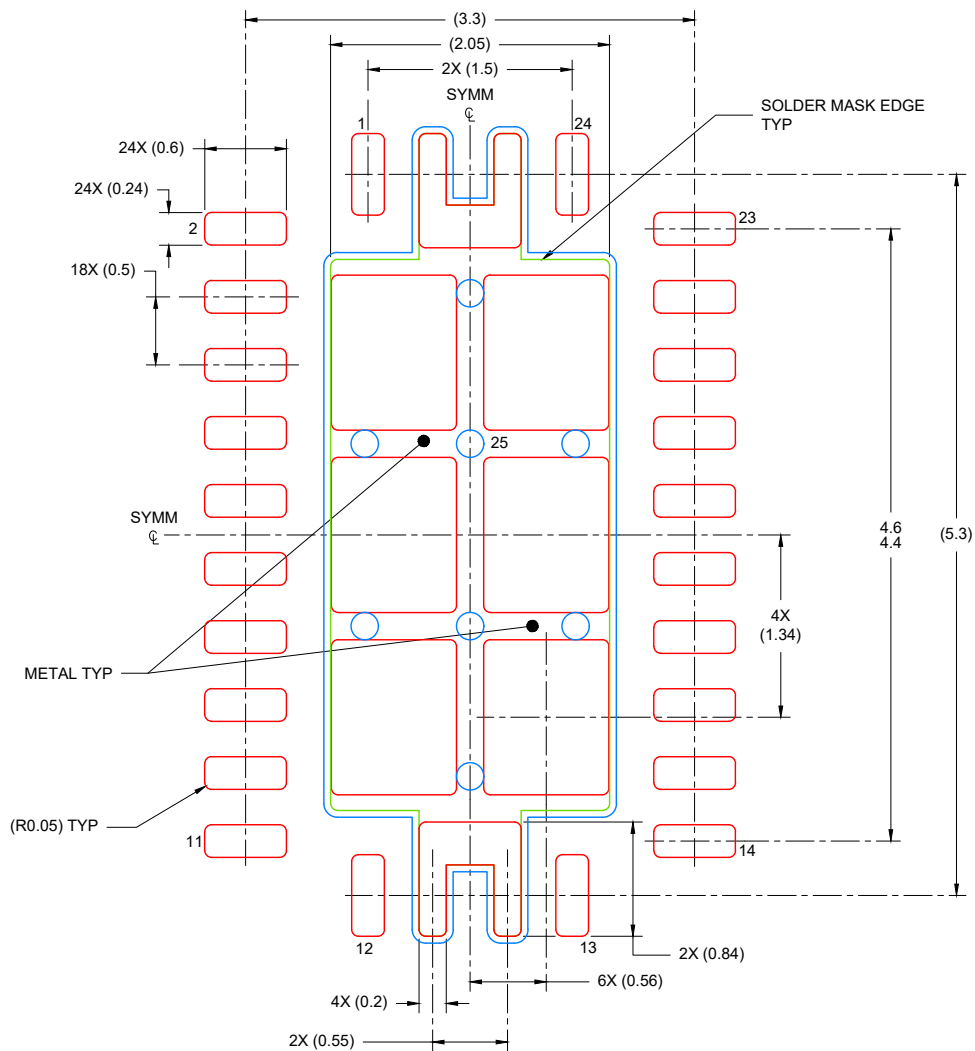
4. This package is designed to be soldered to a thermal pad on the board. For more information, see Texas Instruments literature number SLUA271 ([www.ti.com/lit/slua271](http://www.ti.com/lit/slua271)).
5. Vias are optional depending on application, refer to device data sheet. If any vias are implemented, refer to their locations shown on this view. It is recommended that vias under paste be filled, plugged or tented.

# EXAMPLE STENCIL DESIGN

VQFN - 1 mm max height

RHL0024A

PLASTIC QUAD FLATPACK- NO LEAD



SOLDER PASTE EXAMPLE  
BASED ON 0.125 mm THICK STENCIL

EXPOSED PAD  
80% PRINTED COVERAGE BY AREA  
SCALE: 18X

4225250/A 09/2019

NOTES: (continued)

6. Laser cutting apertures with trapezoidal walls and rounded corners may offer better paste release. IPC-7525 may have alternate design recommendations.

## 重要声明和免责声明

TI 提供技术和可靠性数据（包括数据表）、设计资源（包括参考设计）、应用或其他设计建议、网络工具、安全信息和其他资源，不保证没有瑕疵且不做任何明示或暗示的担保，包括但不限于对适销性、某特定用途方面的适用性或不侵犯任何第三方知识产权的暗示担保。

这些资源可供使用 TI 产品进行设计的熟练开发人员使用。您将自行承担以下全部责任：(1) 针对您的应用选择合适的 TI 产品，(2) 设计、验证并测试您的应用，(3) 确保您的应用满足相应标准以及任何其他安全、安保或其他要求。这些资源如有变更，恕不另行通知。TI 授权您仅可将这些资源用于研发本资源所述的 TI 产品的应用。严禁对这些资源进行其他复制或展示。您无权使用任何其他 TI 知识产权或任何第三方知识产权。您应全额赔偿因在这些资源的使用中对 TI 及其代表造成的任何索赔、损害、成本、损失和债务，TI 对此概不负责。

TI 提供的产品受 TI 的销售条款 (<https://www.ti.com.cn/zh-cn/legal/termsofsale.html>) 或 [ti.com.cn](https://www.ti.com.cn) 上其他适用条款/TI 产品随附的其他适用条款的约束。TI 提供这些资源并不会扩展或以其他方式更改 TI 针对 TI 产品发布的适用的担保或担保免责声明。

邮寄地址：上海市浦东新区世纪大道 1568 号中建大厦 32 楼，邮政编码：200122

Copyright © 2021 德州仪器半导体技术（上海）有限公司