

具有最小 5 倍增益的 INA827 宽电源范围、 轨到轨输出仪表放大器

1 特性

- 消除了 5 倍增益下外部电阻器导致的误差
- 共模范围低于负电源
- 输入保护：高达 $\pm 40V$
- 轨至轨输出
- 出色的精度：
 - 共模抑制：88dB，最小值
 - 低失调电压：150 μV ，最大值
 - 低温漂：2.5 $\mu V/^{\circ}C$ ，最大值
 - 低增益漂移：1ppm/ $^{\circ}C$ ，最大值 (G=5V/V)
 - 电源抑制：100dB，最小值 (G=5)
 - 噪声：17 nV/ \sqrt{Hz} ，G=1000V/V
- 高带宽：
 - G=5:600kHz
 - G=100:150kHz
- 电源电流：200 μA ，典型值
- 电源范围：
 - 单电源：3V 至 36V
 - 双电源： $\pm 1.5V$ 至 $\pm 18V$
- 额定温度范围： $-40^{\circ}C$ 至 $+125^{\circ}C$
- 封装：8 引脚 VSSOP

2 应用

- 工业过程控制
- 多通道系统
- 电力自动化
- 衡器
- 医疗仪表
- 数据采集

3 说明

INA827 是一款低成本仪表放大器 (INA)，此放大器提供极低功耗并运行在非常宽泛的单电源或者双电源范围内。此器件为了实现 G=5 时只有 1ppm 每摄氏度的最低可能增益漂移而进行了优化，且无需外部电阻器。然而，一个单一外部电阻器可在 5 至 1000 之间设定任一增益。

对 INA827 进行了优化以在高达 5kHz 的频率上提供超过 88dB (G=5) 的出色共模抑制比 (CMRR)。G=5 时，在整个输入共模范围内（从负电源一直到高达 1V 的正电源）CMRR 超过 88dB。通过使用一个轨到轨输出，INA827 非常适合于由 3V 单电源供电以及由高达 $\pm 18V$ 的双电源供电的低压运行。附加的电路通过将输入电流限制在安全水平来保护输入不受超过电源电压高达 $\pm 40V$ 的过压影响。

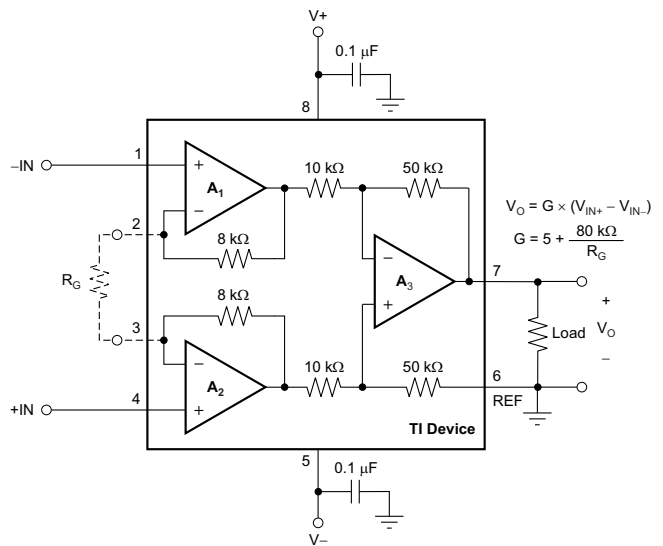
INA827 采用小型 VSSOP-8 封装，额定运行温度范围为 $-40^{\circ}C$ 至 $+125^{\circ}C$ 。有关增益范围介于 1V/V 至 1000V/V 之间的类似仪表放大器的信息，请参阅 [INA826](#)。

器件信息(1)

器件型号	封装	封装尺寸 (标称值)
INA827	VSSOP (8)	3.00mm x 3.00mm

(1) 如需了解所有可用封装，请参阅产品说明书末尾的可订购产品附录。

简化电路原理图



目录

<p>1 特性 1</p> <p>2 应用 1</p> <p>3 说明 1</p> <p>4 修订历史记录 2</p> <p>5 Pin Configuration and Functions 3</p> <p>6 Specifications 4</p> <p> 6.1 Absolute Maximum Ratings 4</p> <p> 6.2 ESD Ratings 4</p> <p> 6.3 Recommended Operating Conditions 4</p> <p> 6.4 Thermal Information 4</p> <p> 6.5 Electrical Characteristics 5</p> <p> 6.6 Typical Characteristics 7</p> <p>7 Detailed Description 16</p> <p> 7.1 Overview 16</p> <p> 7.2 Functional Block Diagram 16</p> <p> 7.3 Feature Description 17</p>	<p> 7.4 Device Functional Modes 23</p> <p>8 Application and Implementation 24</p> <p> 8.1 Application Information 24</p> <p> 8.2 Typical Application 25</p> <p>9 Power Supply Recommendations 27</p> <p>10 Layout 27</p> <p> 10.1 Layout Guidelines 27</p> <p> 10.2 Layout Example 27</p> <p>11 器件和文档支持 28</p> <p> 11.1 文档支持 28</p> <p> 11.2 接收文档更新通知 28</p> <p> 11.3 社区资源 28</p> <p> 11.4 商标 28</p> <p> 11.5 静电放电警告 28</p> <p> 11.6 Glossary 28</p> <p>12 机械、封装和可订购信息 28</p>
---	---

4 修订历史记录

Changes from Revision A (July 2013) to Revision B

Page

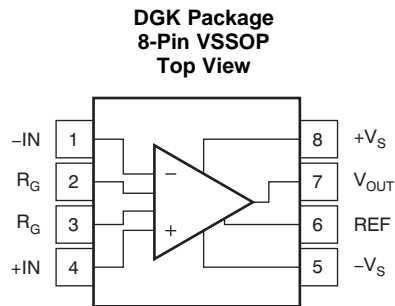
<ul style="list-style-type: none"> • 添加了器件信息表、ESD 额定值表、建议运行条件表、概述部分、功能块图部分、特性说明部分、器件功能模式部分、应用和实施部分、电源相关建议部分、布局部分、器件和文档支持部分以及机械、封装和可订购信息部分 1 • 从第 1 页的顶部删除了器件图形 1 • 更改了特性部分：更改了电源范围项目的子项目 1 • 通篇将 MSOP 更改成了 VSSOP 1 • 在说明部分的第一段中更改了单电源值 1 • 添加了简化原理图标题 1 • Deleted <i>Package and Ordering Information</i> table 3 • Changed <i>Pin Configuration and Functions</i> section: changed section title, changed <i>Pin Functions</i> title, added I/O column .. 3 • Changed test conditions of Input, <i>PSRR</i> and V_{CM} parameters in <i>Electrical Characteristics</i> table 5 • Changed minimum specifications of Power Supply, V_S parameter in <i>Electrical Characteristics</i> table 6 • Changed <i>Typical Characteristics</i> section: moved conditions from title to conditions line under curve 7 • Changed conditions of Figure 7 and Figure 8 8 • Changed conditions of Figure 37 and Figure 38 13 • Changed power-supply range in <i>Operating Voltage</i> section 22 • Changed power supply low level in <i>Low-Voltage Operation</i> section 22 • Added <i>Design Requirements</i>, <i>Detailed Design Procedure</i>, and <i>Application Curves</i> to the <i>Typical Application</i> section 25 	<p>1</p> <p>1</p> <p>1</p> <p>1</p> <p>1</p> <p>1</p> <p>3</p> <p>3</p> <p>5</p> <p>6</p> <p>7</p> <p>8</p> <p>13</p> <p>22</p> <p>22</p> <p>25</p>
---	---

Changes from Original (June 2012) to Revision A

Page

<ul style="list-style-type: none"> • 已更改 更改了首页图形 1 • Updated Figure 15 8 • Updated Figure 16 8 • Updated Figure 61 24 	<p>1</p> <p>8</p> <p>8</p> <p>24</p>
---	--------------------------------------

5 Pin Configuration and Functions



Pin Functions

NAME	NO.	I/O	DESCRIPTION
-IN	1	I	Negative input
+IN	4	I	Positive input
REF	6	I	Reference input. This pin must be driven by low impedance.
R _G	2, 3	—	Gain setting pin. Place a gain resistor between pin 2 and pin 3.
V _{OUT}	7	O	Output
-V _S	5	—	Negative supply
+V _S	8	—	Positive supply

6 Specifications

6.1 Absolute Maximum Ratings⁽¹⁾

		MIN	MAX	UNIT
Voltage	Supply	–20	20	V
	Input	–40	40	
REF input		–20	20	V
Output short-circuit ⁽²⁾		Continuous		
Temperature range	Operating, T_A	–55	150	°C
	Junction, T_J		175	
	Storage, T_{stg}	–65	150	

- (1) Stresses beyond those listed under *Absolute Maximum Ratings* may cause permanent damage to the device. These are stress ratings only, which do not imply functional operation of the device at these or any other conditions beyond those indicated under *Recommended Operating Conditions*. Exposure to absolute-maximum-rated conditions for extended periods may affect device reliability.
- (2) Short-circuit to $V_S / 2$.

6.2 ESD Ratings

		VALUE	UNIT
$V_{(ESD)}$ Electrostatic discharge	Human-body model (HBM), per ANSI/ESDA/JEDEC JS-001 ⁽¹⁾	±2000	V
	Charged-device model (CDM), per JEDEC specification JESD22-C101 ⁽²⁾	±750	

- (1) JEDEC document JEP155 states that 500-V HBM allows safe manufacturing with a standard ESD control process.
- (2) JEDEC document JEP157 states that 250-V CDM allows safe manufacturing with a standard ESD control process.

6.3 Recommended Operating Conditions

over operating free-air temperature range (unless otherwise noted)

		MIN	NOM	MAX	UNIT
Supply voltage	Single supply	3		36	V
	Dual supply	±1.5		±18	
Specified temperature		–40		125	°C
Operating temperature		–50		150	°C

6.4 Thermal Information

THERMAL METRIC ⁽¹⁾		INA827	UNIT
		DGK (VSSOP)	
		8 PINS	
$R_{\theta JA}$	Junction-to-ambient thermal resistance	215.4	°C/W
$R_{\theta JC(top)}$	Junction-to-case (top) thermal resistance	66.3	°C/W
$R_{\theta JB}$	Junction-to-board thermal resistance	97.8	°C/W
Ψ_{JT}	Junction-to-top characterization parameter	10.5	°C/W
Ψ_{JB}	Junction-to-board characterization parameter	96.1	°C/W
$R_{\theta JC(bot)}$	Junction-to-case (bottom) thermal resistance	N/A	°C/W

- (1) For more information about traditional and new thermal metrics, see the [Semiconductor and IC Package Thermal Metrics](#) application report.

6.5 Electrical Characteristics

at $T_A = +25^\circ\text{C}$, $V_S = \pm 15\text{ V}$, $R_L = 10\text{ k}\Omega$, $V_{REF} = 0\text{ V}$, and $G = 5$ (unless otherwise noted)

PARAMETER			TEST CONDITIONS	MIN	TYP	MAX	UNIT
INPUT							
V_{OSI}	Offset voltage ⁽¹⁾	Input stage	RTI, $V_{OS} = V_{OSI} + (V_{OSO} / G)$ $T_A = -40^\circ\text{C to } +125^\circ\text{C}$		40	150	μV
		Output stage	RTI, $V_{OS} = V_{OSI} + (V_{OSO} / G)$ $T_A = -40^\circ\text{C to } +125^\circ\text{C}$		0.5	2.5	$\mu\text{V}/^\circ\text{C}$
V_{OSO}					500	2000	μV
					5	30	$\mu\text{V}/^\circ\text{C}$
PSRR	Power-supply rejection ratio		$G = 5$, $V_S = \pm 1.5\text{ V to } \pm 18\text{ V}$	100	120		dB
			$G = 10$, $V_S = \pm 1.5\text{ V to } \pm 18\text{ V}$	106	126		
			$G > 100$, $V_S = \pm 1.5\text{ V to } \pm 18\text{ V}$	120	140		
Z_{IN}	Impedance	Differential			2 1		$G\Omega \parallel \text{pF}$
		Common-mode			10 5		
		RFI filter, -3-dB frequency			25		MHz
V_{CM}	Operating input range ⁽²⁾		$V_S = \pm 1.5\text{ V to } \pm 18\text{ V}$, $V_O = 0\text{ V}$	(V-) - 0.2		(V+) - 0.9	V
			$V_S = \pm 1.5\text{ V to } \pm 18\text{ V}$, $V_O = 0\text{ V}$, $T_A = +125^\circ\text{C}$	(V-) - 0.05		(V+) - 0.8	
			$V_S = \pm 1.5\text{ V to } \pm 18\text{ V}$, $V_O = 0\text{ V}$, $T_A = -40^\circ\text{C}$	(V-) - 0.3		(V+) - 0.95	
	Input overvoltage range		$T_A = -40^\circ\text{C to } +125^\circ\text{C}$	(V+) - 40		(V-) + 40	V
CMRR	Common-mode rejection ratio	DC to 60 Hz	$G = 5$, $V_{CM} = V_- \text{ to } (V_+) - 1\text{ V}$	88	100		dB
			$G = 10$, $V_{CM} = V_- \text{ to } (V_+) - 1\text{ V}$	94	106		
			$G > 100$, $V_{CM} = V_- \text{ to } (V_+) - 1\text{ V}$	110	126		
		At 5 kHz	$G = 5$, $V_{CM} = V_- \text{ to } (V_+) - 1\text{ V}$		88		
			$G = 10$, $V_{CM} = V_- \text{ to } (V_+) - 1\text{ V}$		94		
			$G > 100$, $V_{CM} = V_- \text{ to } (V_+) - 1\text{ V}$		104		
BIAS CURRENT							
I_B	Input bias current				35	50	nA
			$T_A = -40^\circ\text{C to } +125^\circ\text{C}$			95	
I_{OS}	Input offset current			-5	0.7	5	nA
			$T_A = -40^\circ\text{C to } +125^\circ\text{C}$			10	
NOISE VOLTAGE⁽³⁾							
e_{NI}	Voltage noise	Input	$f = 1\text{ kHz}$, $G = 1000$, $R_S = 0\ \Omega$		17	18	$\text{nV}/\sqrt{\text{Hz}}$
e_{NO}		Output	$f = 1\text{ kHz}$, $G = 5$, $R_S = 0\ \Omega$		250	285	
RTI	Referred-to-input		$G = 5$, $f_B = 0.1\text{ Hz to } 10\text{ Hz}$, $R_S = 0\ \Omega$		1.4		μV_{PP}
			$G = 1000$, $f_B = 0.1\text{ Hz to } 10\text{ Hz}$, $R_S = 0\ \Omega$		0.5		
i_N	Noise current		$f = 1\text{ kHz}$		120		$\text{fA}/\sqrt{\text{Hz}}$
			$f_B = 0.1\text{ Hz to } 10\text{ Hz}$		5		
GAIN							
G	Gain equation				$5 + \left[\frac{80\text{ k}\Omega}{R_G} \right]$		V/V
G	Range of gain				5	1000	V/V
GE	Gain error		$G = 5$, $V_O = \pm 10\text{ V}$		$\pm 0.005\%$	$\pm 0.035\%$	
			$G = 10$ to 1000 , $V_O = \pm 10\text{ V}$		$\pm 0.1\%$	$\pm 0.4\%$	
	Gain versus temperature ⁽⁴⁾		$G = 5$, $T_A = -40^\circ\text{C to } +125^\circ\text{C}$		± 0.1	± 1	ppm/ $^\circ\text{C}$
			$G > 5$, $T_A = -40^\circ\text{C to } +125^\circ\text{C}$		8	25	
	Gain nonlinearity		$G = 5$ to 100 , $V_O = -10\text{ V to } +10\text{ V}$, $R_L = 10\text{ k}\Omega$		2	5	ppm
			$G = 1000$, $V_O = -10\text{ V to } +10\text{ V}$, $R_L = 10\text{ k}\Omega$		20	50	

(1) Total offset, referred-to-input (RTI): $V_{OS} = V_{OSI} + (V_{OSO} / G)$.

(2) Input voltage range of the INA827 input stage. The input range depends on the common-mode voltage, differential voltage, gain, and reference voltage. See the [Typical Characteristics](#) section for more information.

(3)

$$\text{Total RTI voltage noise} = \sqrt{(e_{NI})^2 + \left[\frac{e_{NO}}{G} \right]^2}$$

(4) The values specified for $G > 5$ do not include the effects of the external gain-setting resistor, R_G .

Electrical Characteristics (continued)

 at $T_A = +25^\circ\text{C}$, $V_S = \pm 15\text{ V}$, $R_L = 10\text{ k}\Omega$, $V_{REF} = 0\text{ V}$, and $G = 5$ (unless otherwise noted)

PARAMETER		TEST CONDITIONS	MIN	TYP	MAX	UNIT
OUTPUT						
Voltage swing		$R_L = 10\text{ k}\Omega$	$(V-) + 0.1$	$(V+) - 0.15$		V
Load capacitance stability				1000		pF
Short-circuit current		Continuous to common		± 16		mA
FREQUENCY RESPONSE						
BW	Bandwidth, -3 dB	$G = 5$		600		kHz
		$G = 10$		530		
		$G = 100$		150		
		$G = 1000$		15		
SR	Slew rate	$G = 5, V_O = \pm 14.5\text{ V}$		1.5		V/ μs
		$G = 100, V_O = \pm 14.5\text{ V}$		1.5		
t_S	Settling time	To 0.01%	$G = 5, V_{STEP} = 10\text{ V}$		10	μs
			$G = 100, V_{STEP} = 10\text{ V}$		12	
			$G = 1000, V_{STEP} = 10\text{ V}$		95	
		To 0.001%	$G = 1, V_{STEP} = 10\text{ V}$		11	
			$G = 100, V_{STEP} = 10\text{ V}$		18	
			$G = 1000, V_{STEP} = 10\text{ V}$		118	
REFERENCE INPUT						
R_{IN}	Input impedance			60		k Ω
	Voltage range		$V-$		$V+$	V
	Gain to output			1		V/V
	Reference gain error			0.01		%
POWER SUPPLY						
V_S	Power-supply voltage	Single	3.0		36	V
		Dual	± 1.5		± 18	
I_Q	Quiescent current	$V_{IN} = 0\text{ V}$		200	250	μA
		$T_A = -40^\circ\text{C}$ to $+125^\circ\text{C}$		250	320	
TEMPERATURE RANGE						
	Specified		-40		125	$^\circ\text{C}$
	Operating		-50		150	$^\circ\text{C}$
θ_{JA}	Thermal resistance			215		$^\circ\text{C}/\text{W}$

6.6 Typical Characteristics

at $T_A = +25^\circ\text{C}$, $V_S = \pm 15\text{ V}$, $R_L = 10\text{ k}\Omega$, $V_{REF} = 0\text{ V}$, and $G = 5$ (unless otherwise noted)

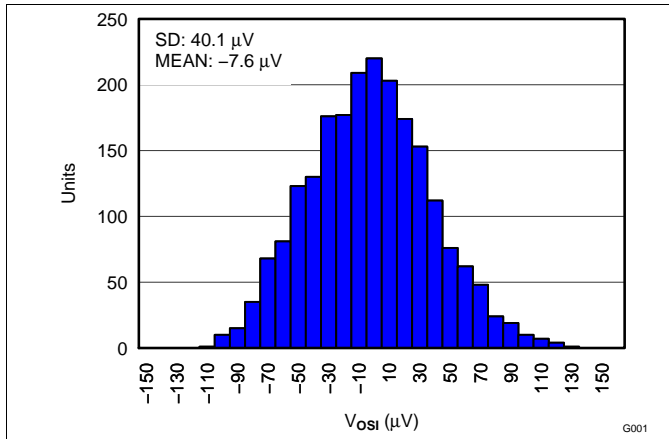


Figure 1. Typical Distribution of Input Offset Voltage

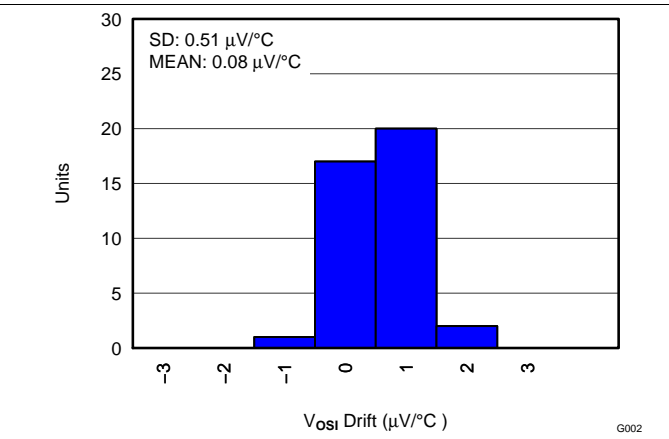


Figure 2. Typical Distribution of Input Offset Voltage Drift

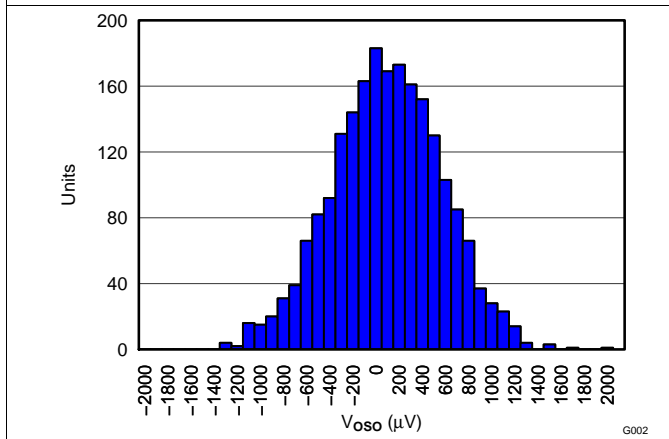


Figure 3. Typical Distribution of Output Offset Voltage

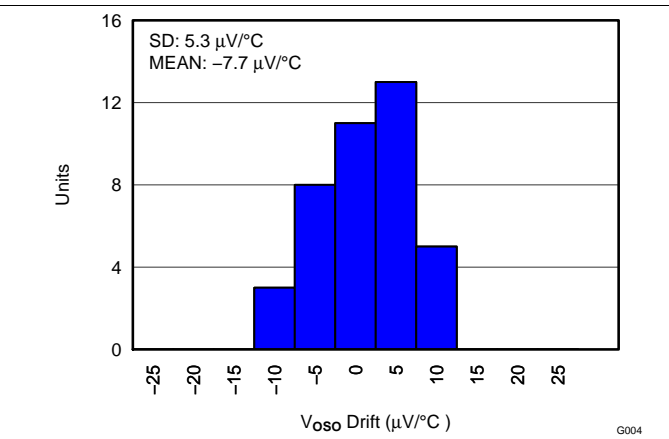


Figure 4. Typical Distribution of Output Offset Voltage Drift

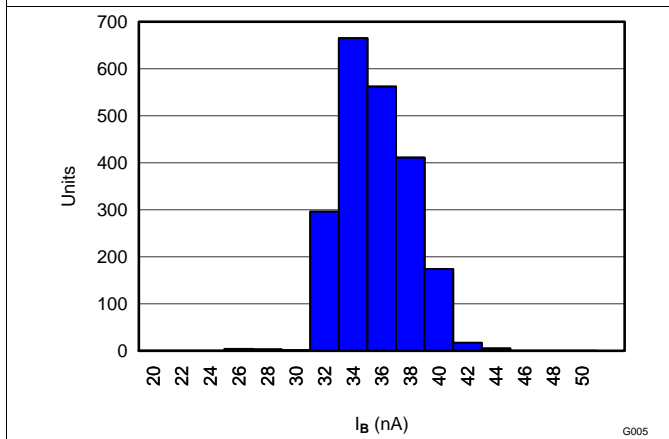


Figure 5. Typical Distribution of Input Bias Current

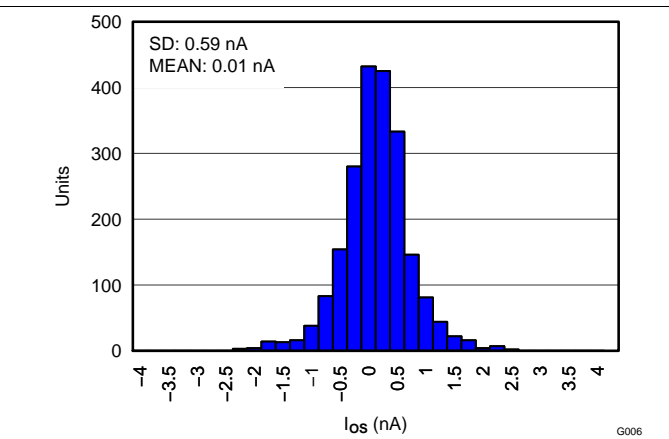
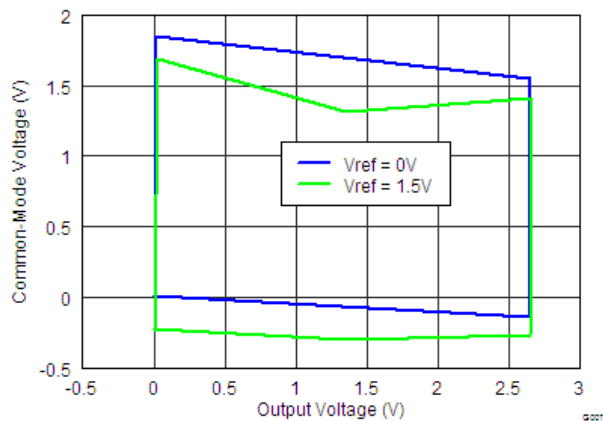


Figure 6. Typical Distribution of Input Offset Current

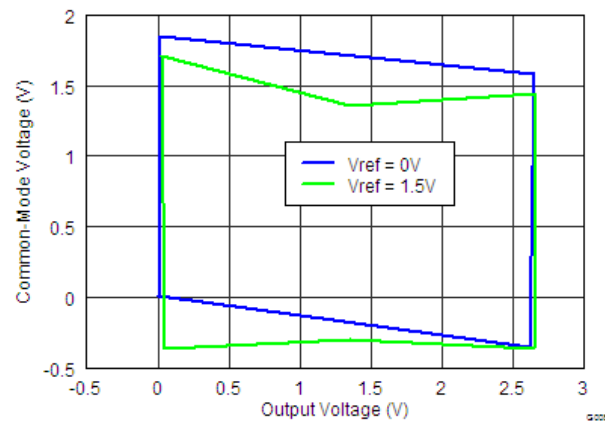
Typical Characteristics (continued)

at $T_A = +25^\circ\text{C}$, $V_S = \pm 15\text{ V}$, $R_L = 10\text{ k}\Omega$, $V_{REF} = 0\text{ V}$, and $G = 5$ (unless otherwise noted)



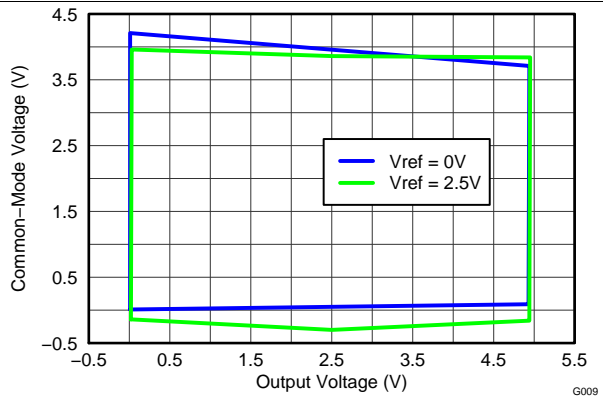
Single supply, $V_S = +3\text{ V}$, $G = 5$

Figure 7. Input Common-Mode Voltage vs Output Voltage



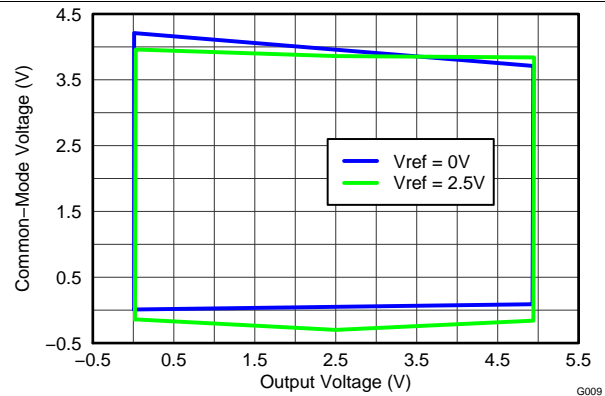
Single supply, $V_S = +3\text{ V}$, $G = 100$

Figure 8. Input Common-Mode Voltage vs Output Voltage



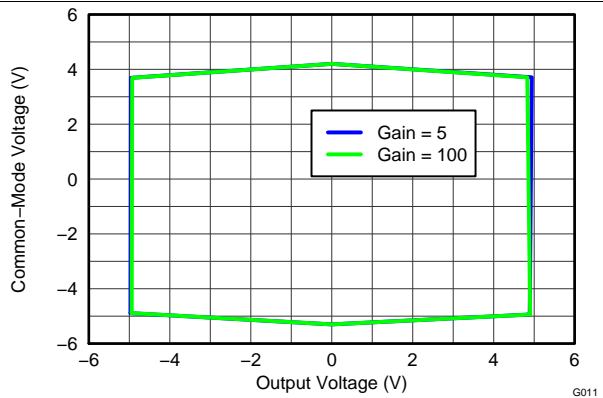
Single supply, $V_S = +5\text{ V}$, $G = 5$

Figure 9. Input Common-Mode Voltage vs Output Voltage



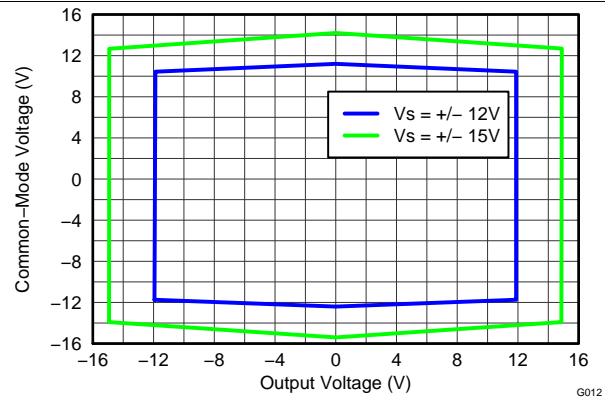
Single supply, $V_S = +5\text{ V}$, $G = 100$

Figure 10. Input Common-Mode Voltage vs Output Voltage



Dual supply, $V_S = \pm 5\text{ V}$

Figure 11. Input Common-Mode Voltage vs Output Voltage



Dual supply, $V_S = \pm 15\text{ V}$, $\pm 12\text{ V}$, $G = 5$

Figure 12. Input Common-Mode Voltage vs Output Voltage

Typical Characteristics (continued)

at $T_A = +25^\circ\text{C}$, $V_S = \pm 15\text{ V}$, $R_L = 10\text{ k}\Omega$, $V_{REF} = 0\text{ V}$, and $G = 5$ (unless otherwise noted)

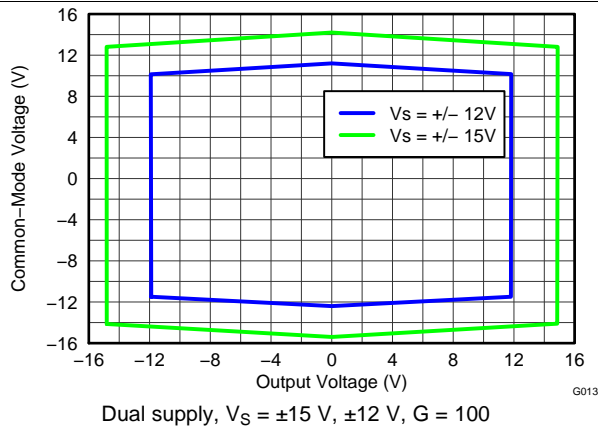


Figure 13. Input Common-Mode Voltage vs Output Voltage

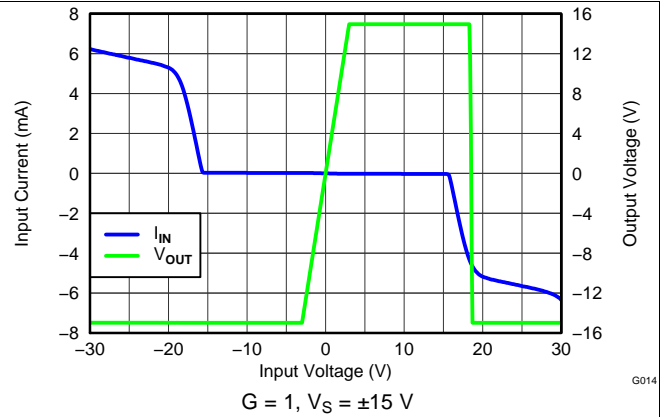


Figure 14. Input Overvoltage vs Input Current

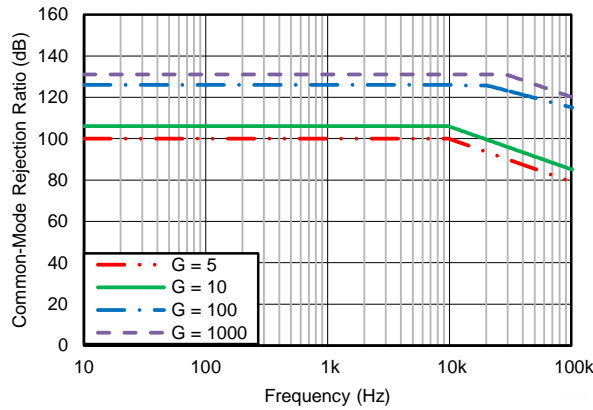


Figure 15. CMRR vs Frequency (RTI)

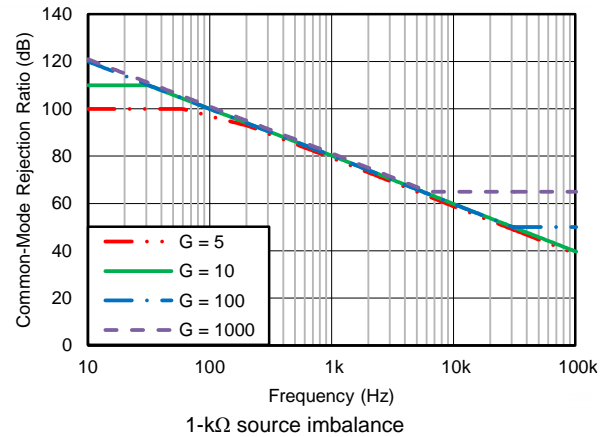


Figure 16. CMRR vs Frequency (RTI)

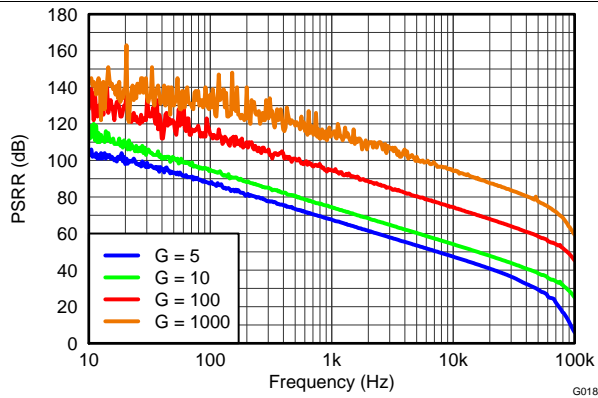


Figure 17. Positive PSRR vs Frequency (RTI)

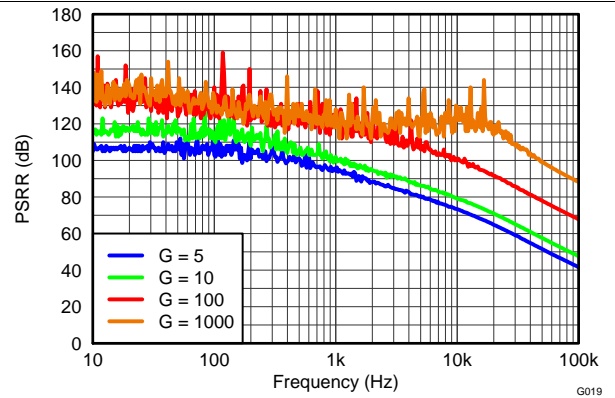
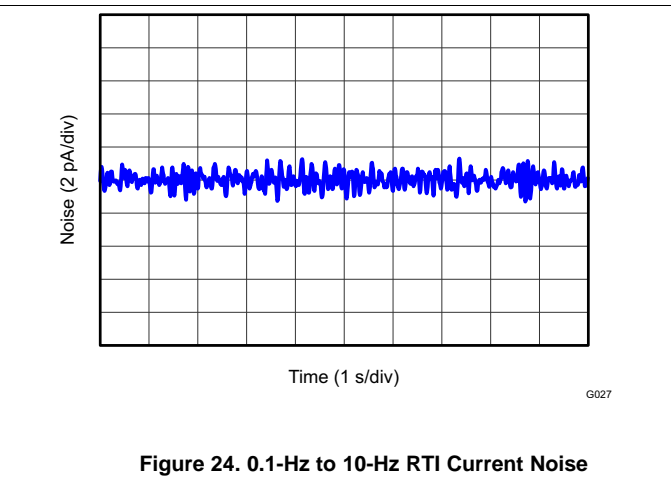
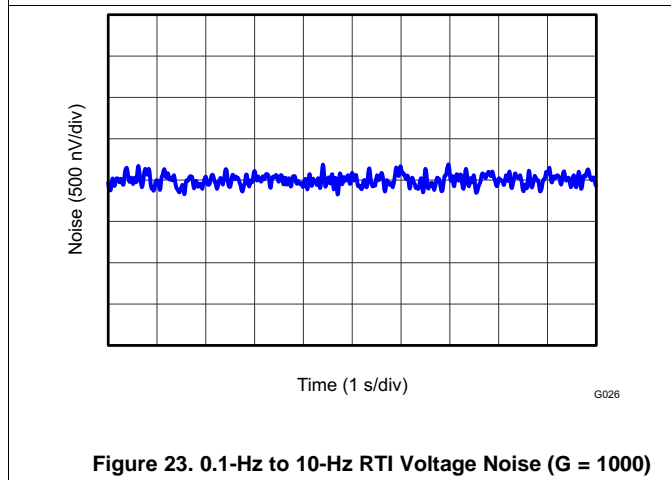
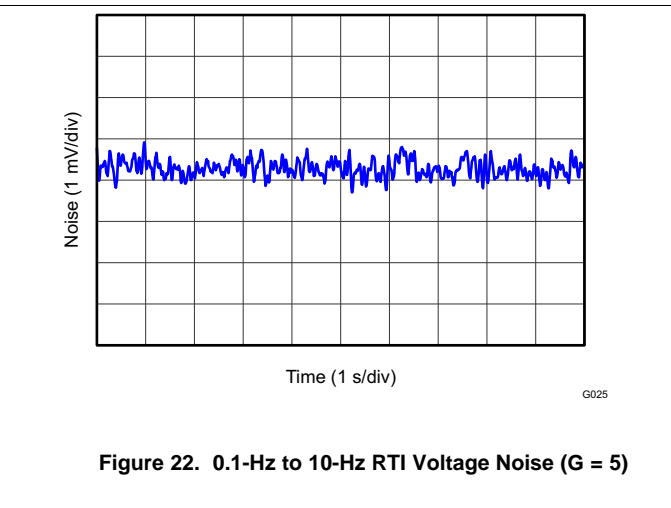
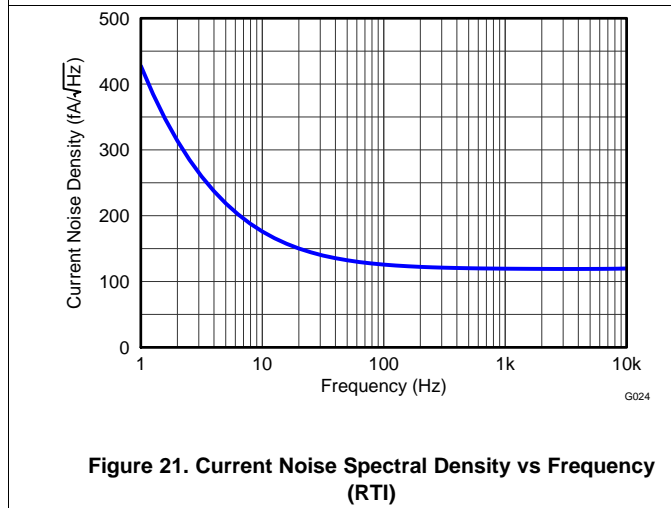
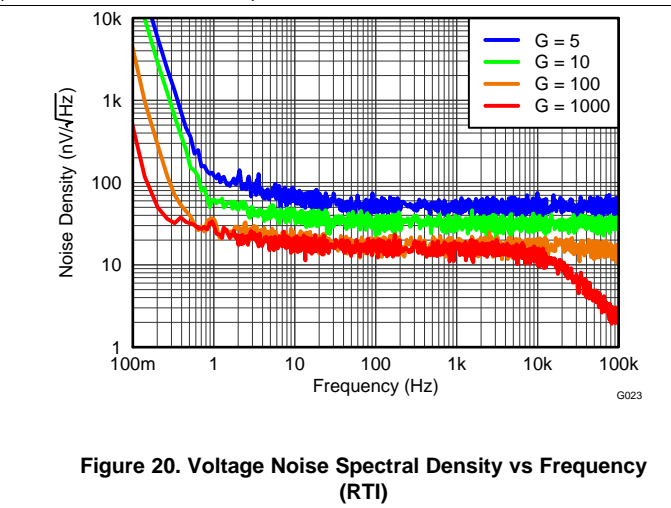
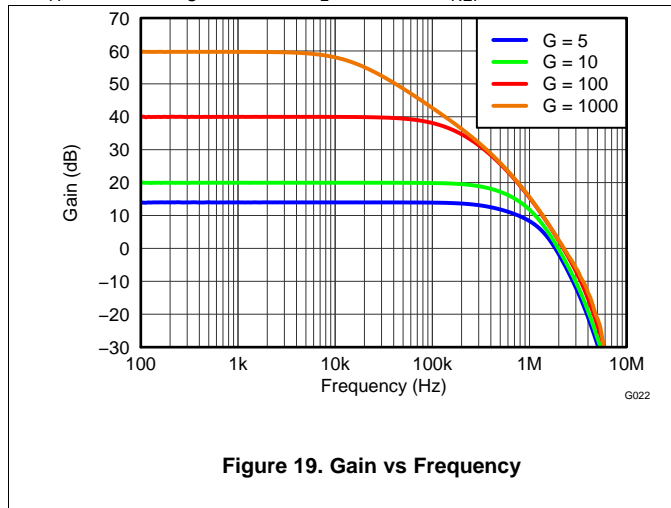


Figure 18. Negative PSRR vs Frequency (RTI)

Typical Characteristics (continued)

at $T_A = +25^\circ\text{C}$, $V_S = \pm 15\text{ V}$, $R_L = 10\text{ k}\Omega$, $V_{REF} = 0\text{ V}$, and $G = 5$ (unless otherwise noted)



Typical Characteristics (continued)

at $T_A = +25^\circ\text{C}$, $V_S = \pm 15\text{ V}$, $R_L = 10\text{ k}\Omega$, $V_{REF} = 0\text{ V}$, and $G = 5$ (unless otherwise noted)

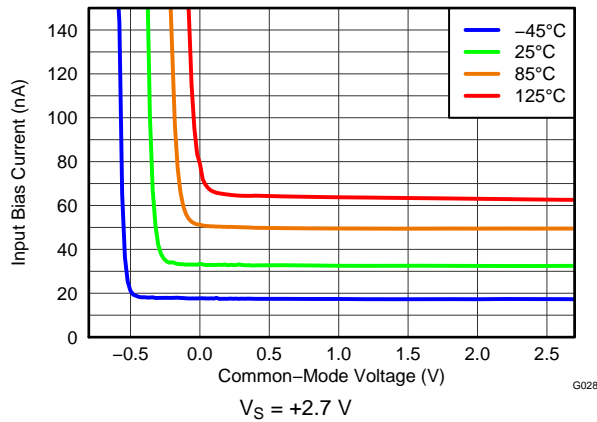


Figure 25. Input Bias Current vs Common-Mode Voltage

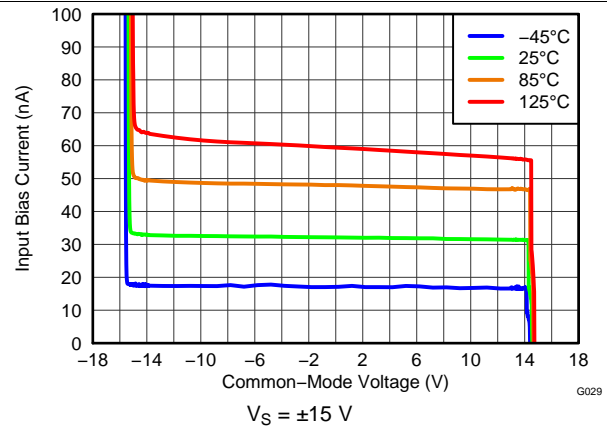


Figure 26. Input Bias Current vs Common-Mode Voltage

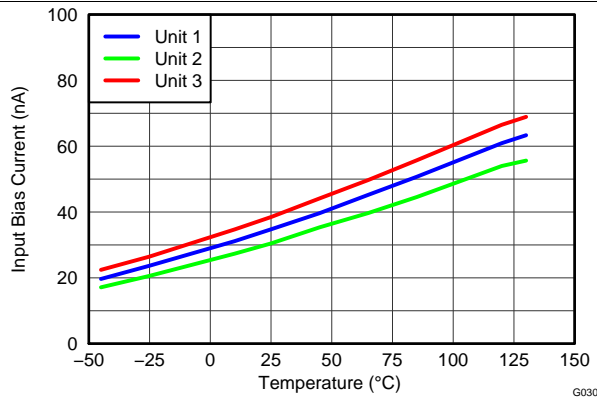


Figure 27. Input Bias Current vs Temperature

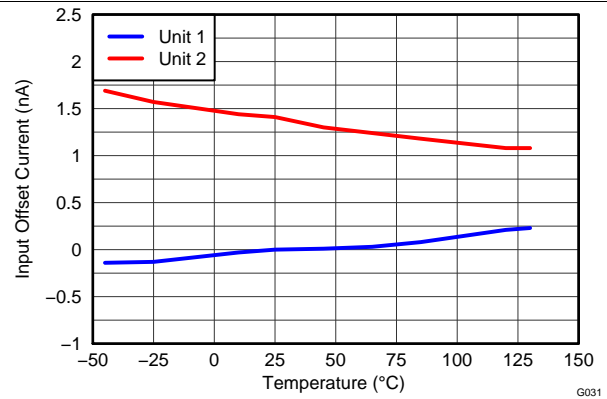


Figure 28. Input Offset Current vs Temperature

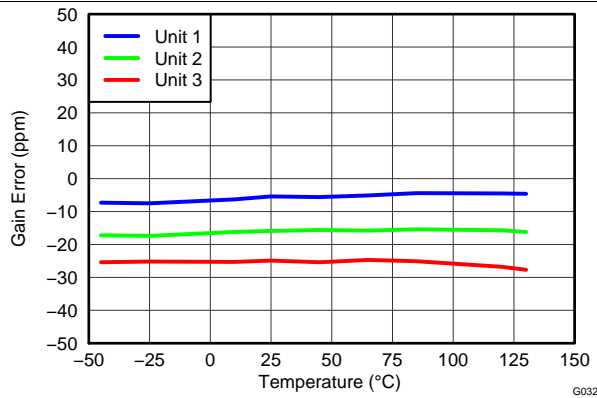


Figure 29. Gain Error vs Temperature (G = 5)

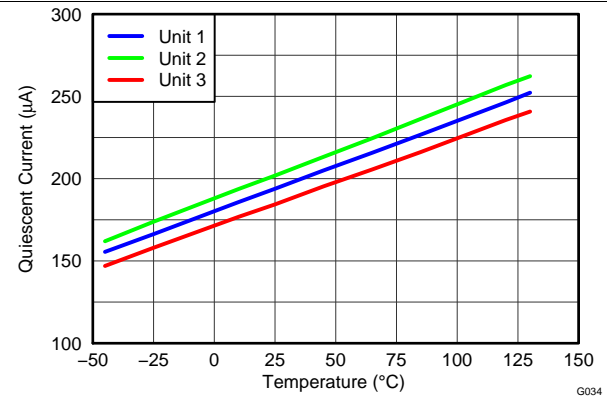


Figure 30. Supply Current vs Temperature

Typical Characteristics (continued)

at $T_A = +25^\circ\text{C}$, $V_S = \pm 15\text{ V}$, $R_L = 10\text{ k}\Omega$, $V_{REF} = 0\text{ V}$, and $G = 5$ (unless otherwise noted)

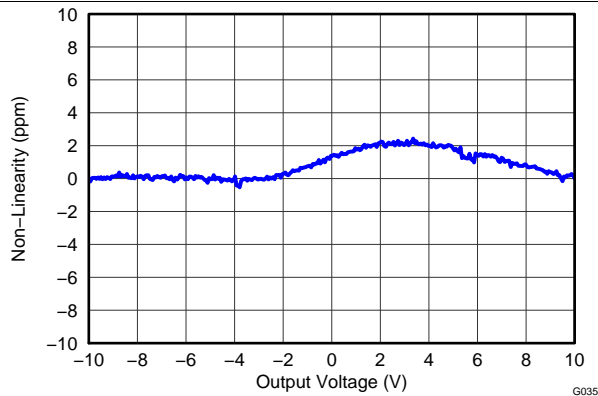


Figure 31. Gain Nonlinearity (G = 5)

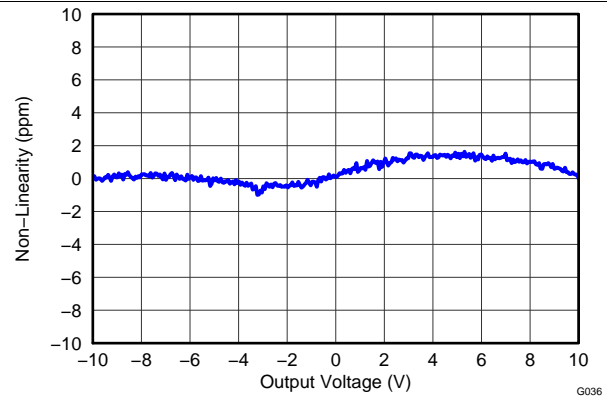


Figure 32. Gain Nonlinearity (G = 10)

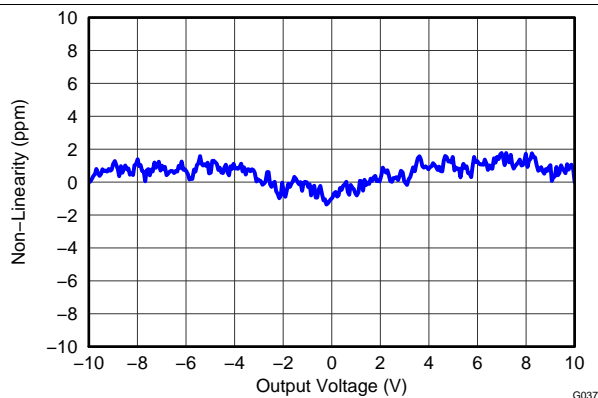


Figure 33. Gain Nonlinearity (G = 100)

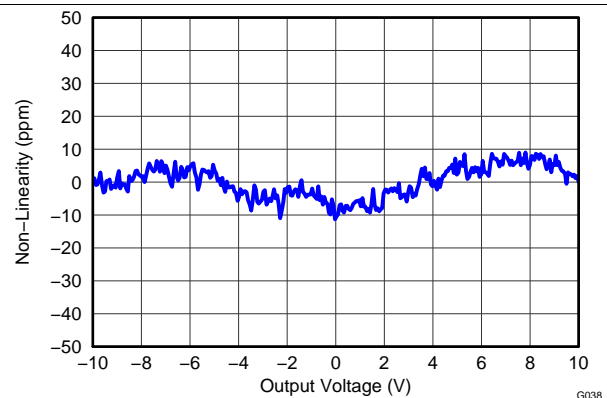


Figure 34. Gain Nonlinearity (G = 1000)

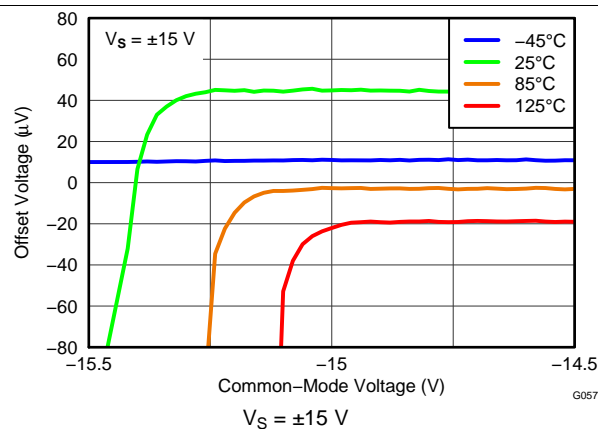


Figure 35. Offset Voltage vs Negative Common-Mode Voltage

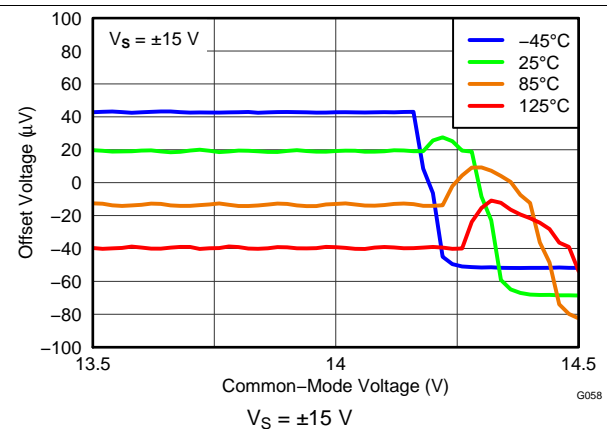
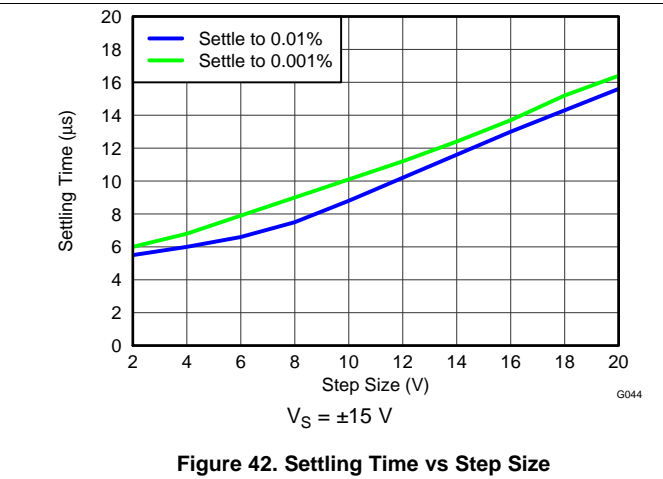
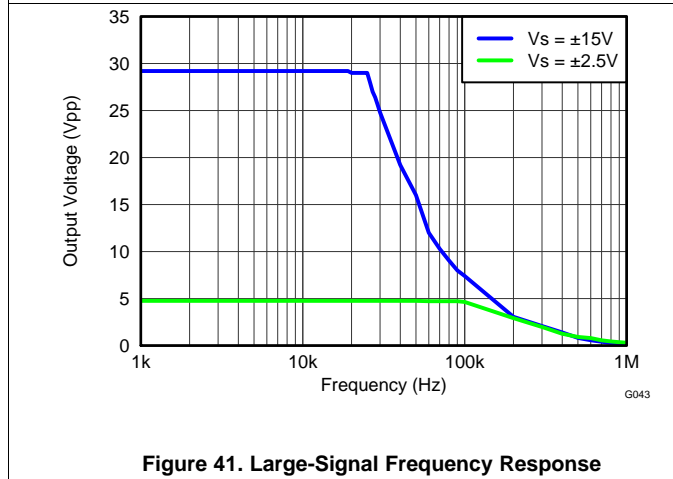
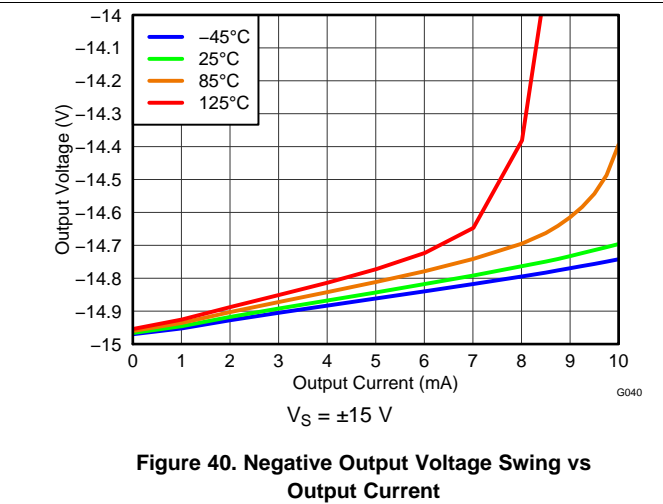
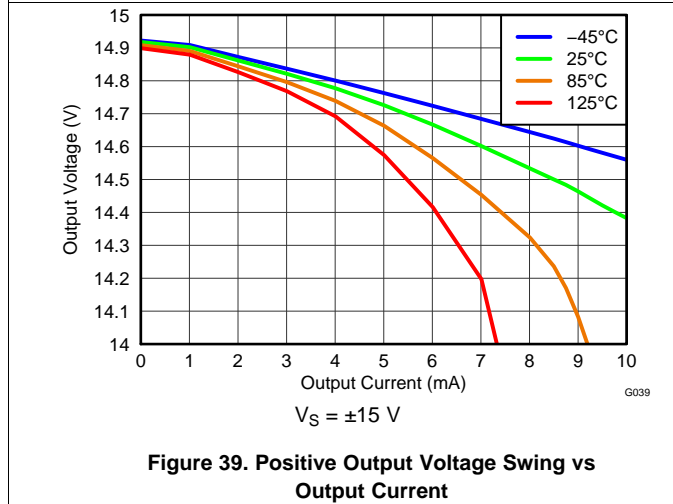
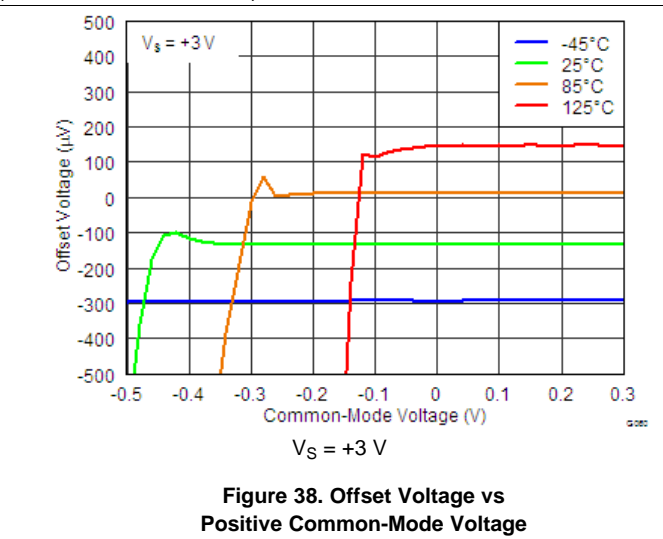
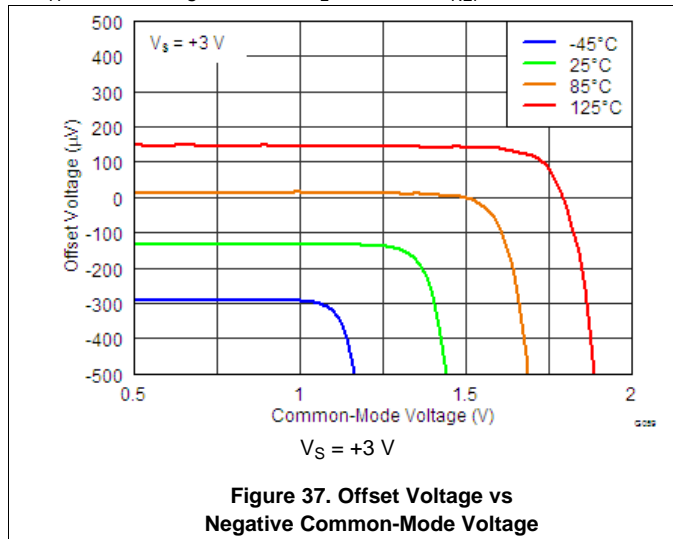


Figure 36. Offset Voltage vs Positive Common-Mode Voltage

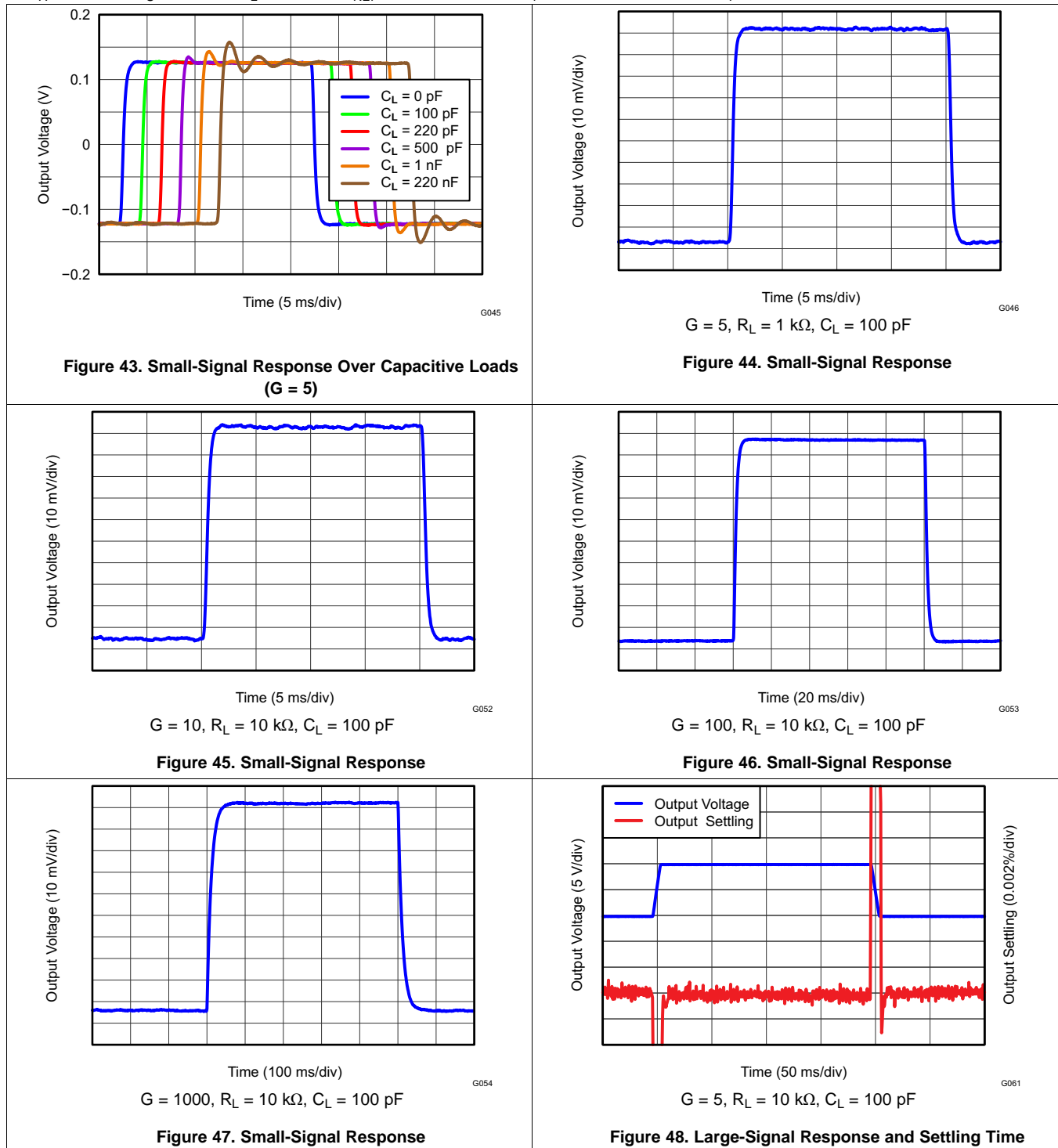
Typical Characteristics (continued)

at $T_A = +25^\circ\text{C}$, $V_S = \pm 15\text{ V}$, $R_L = 10\text{ k}\Omega$, $V_{REF} = 0\text{ V}$, and $G = 5$ (unless otherwise noted)



Typical Characteristics (continued)

at $T_A = +25^\circ\text{C}$, $V_S = \pm 15\text{ V}$, $R_L = 10\text{ k}\Omega$, $V_{REF} = 0\text{ V}$, and $G = 5$ (unless otherwise noted)



Typical Characteristics (continued)

at $T_A = +25^\circ\text{C}$, $V_S = \pm 15\text{ V}$, $R_L = 10\text{ k}\Omega$, $V_{REF} = 0\text{ V}$, and $G = 5$ (unless otherwise noted)

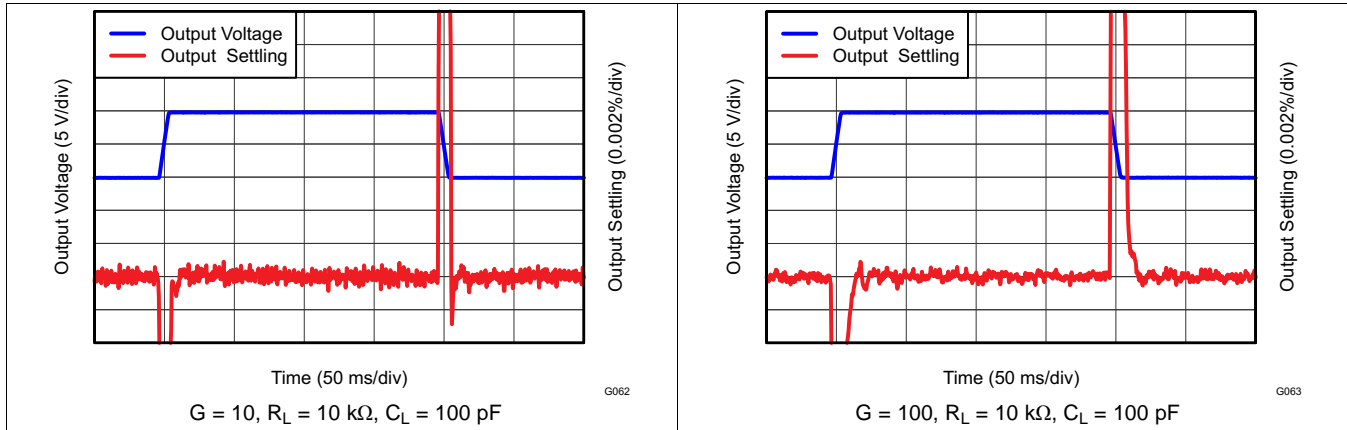


Figure 49. Large-Signal Response and Settling Time

Figure 50. Large-Signal Response and Settling Time

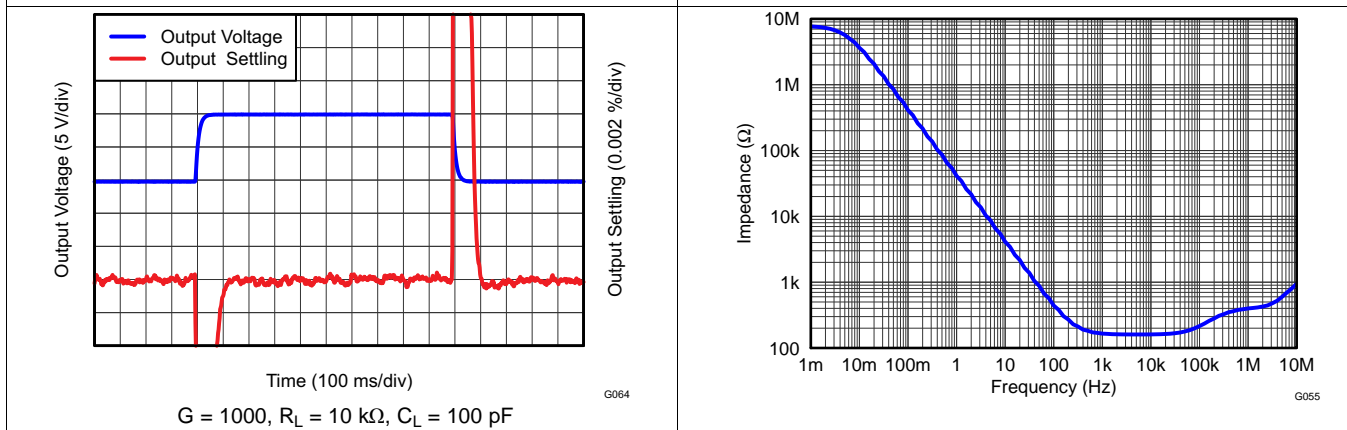


Figure 51. Large-Signal Response and Settling Time

Figure 52. Open-Loop Output Impedance

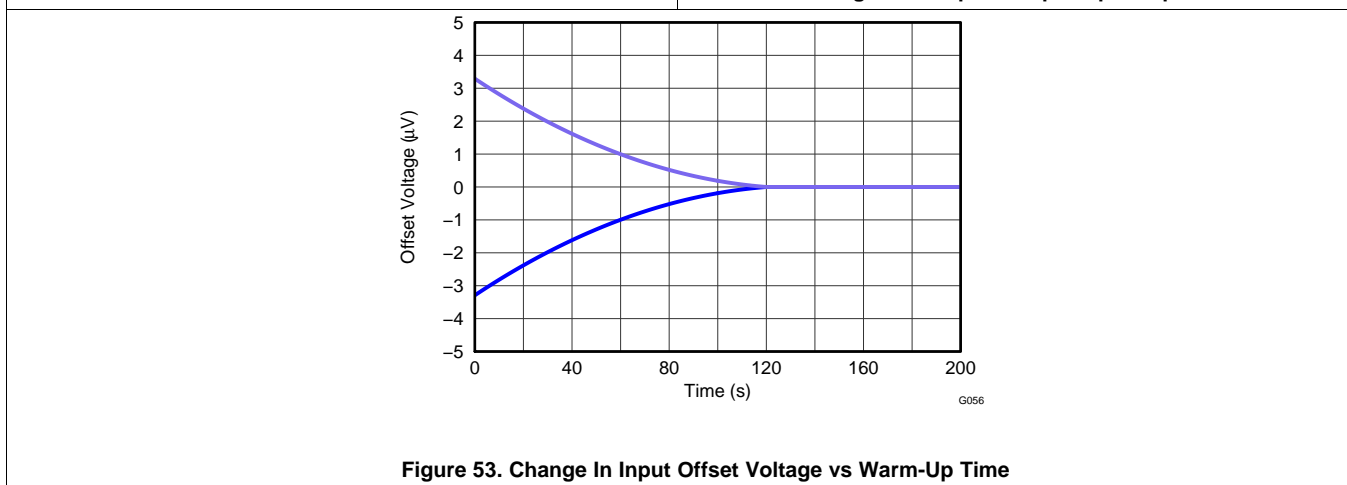


Figure 53. Change In Input Offset Voltage vs Warm-Up Time

7 Detailed Description

7.1 Overview

The INA827 is a monolithic instrumentation amplifier (INA) based on a 36-V and a current feedback input architecture. The INA827 also integrates laser-trimmed resistors to ensure excellent common mode rejection and low gain error. The combination of the current feedback input and the precision resistors allows this device to achieve outstanding dc precision as well as frequency response and high frequency common mode rejection(TBD this is more like a Layout text. Overview is generally an overview of the device.)

The Overview section provides a top-level description of what the device is and what it does. Detailed descriptions of the features and functions appear in subsequent subsections. Guidelines

- Include a summary of standards met by the device (if any).
- List modes and states of operation (from the user's perspective) and key features within each functional mode for quick reference. Use the following sections to provide detail on these modes and features.

7.2 Functional Block Diagram

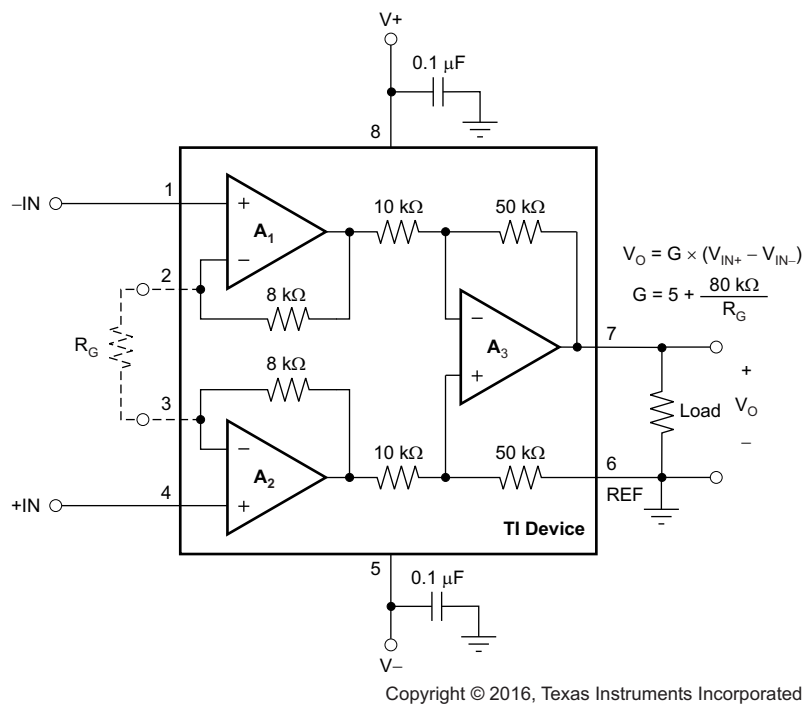


Figure 54. INA827 Block Diagram

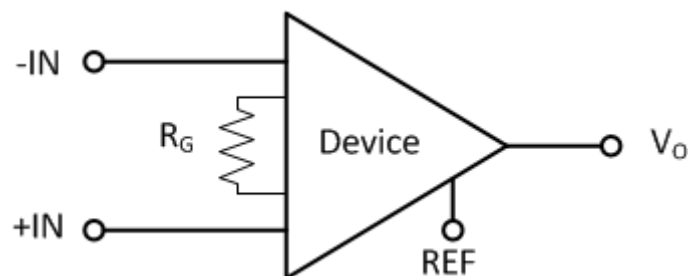


Figure 55. Simplified Block Diagram (TBD only simplified op amp goes here but this is a PNG and I can't edit it)

7.3 Feature Description

7.3.1 Setting the Gain

Device gain is set by a single external resistor (R_G), connected between pins 2 and 3. The value of R_G is selected according to [Equation 1](#):

$$5 + \left[\frac{80 \text{ k}\Omega}{R_G} \right] \quad (1)$$

[Table 1](#) lists several commonly-used gains and resistor values. The on-chip resistors are laser-trimmed to accurate absolute values. The accuracy and temperature coefficients of these resistors are included in the gain accuracy and drift specifications of the INA827.

Table 1. Commonly-Used Gains and Resistor Values

DESIRED GAIN (V/V)	R_G (Ω)	NEAREST 1% R_G (Ω)
5	—	—
10	16.00k	15.8k
20	5.333k	5.36k
50	1.778k	1.78k
100	842.1	845
200	410.3	412
500	161.6	162
1000	80.40	80.6

7.3.1.1 Gain Drift

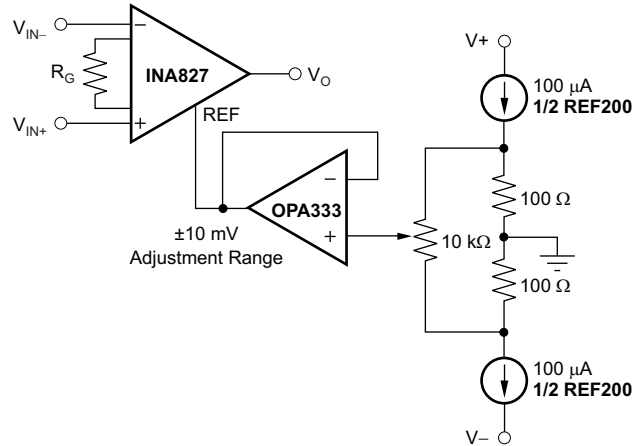
The stability and temperature drift of the external gain setting resistor (R_G) also affects gain. The R_G contribution to gain accuracy and drift can be directly inferred from the gain of [Equation 1](#).

The best gain drift of 1 ppm per degree Celsius can be achieved when the INA827 uses $G = 5$ without R_G connected. In this case, the gain drift is limited only by the slight temperature coefficient mismatch of the integrated 50-k Ω resistors in the differential amplifier (A_3). At gains greater than 5, the gain drift increases as a result of the individual drift of the resistors in the feedback of A_1 and A_2 , relative to the drift of the external gain resistor R_G . Process improvements to the temperature coefficient of the feedback resistors now enable a maximum gain drift of the feedback resistors to be specified at 35 ppm per degree Celsius, thus significantly improving the overall temperature stability of applications using gains greater than 5.

Low resistor values required for high gains can make wiring resistance important. Sockets add to wiring resistance and contribute additional gain error (such as possible unstable gain errors) at gains of approximately 100 or greater. To ensure stability, avoid parasitic capacitances greater than a few picofarads at R_G connections. Careful matching of any parasitics on both R_G pins maintains optimal CMRR over frequency; see the [Typical Characteristics](#) section.

7.3.2 Offset Trimming

Most applications require no external offset adjustment; however, if necessary, adjustments can be made by applying a voltage to the REF pin. Figure 56 shows an optional circuit for trimming the output offset voltage. The voltage applied to the REF pin is summed at the output. The op amp buffer provides low impedance at the REF pin to preserve good common-mode rejection.



Copyright © 2016, Texas Instruments Incorporated

Figure 56. Optional Trimming of Output Offset Voltage

7.3.3 Input Common-Mode Range

The linear input voltage range of the INA827 input circuitry extends from the negative supply voltage to 1 V below the positive supply, and maintains 88-dB (minimum) common-mode rejection throughout this range. The common-mode range for most common operating conditions is described in Figure 14 and Figure 35 through Figure 38. The INA827 can operate over a wide range of power supplies and V_{REF} configurations, thus making a comprehensive guide to common-mode range limits for all possible conditions impractical to provide.

The most commonly overlooked overload condition occurs when a circuit exceeds the output swing of A_1 and A_2 , which are internal circuit nodes that cannot be measured. Calculating the expected voltages at the output of A_1 and A_2 (see Figure 57) provides a check for the most common overload conditions. The A_1 and A_2 designs are identical and the outputs can swing to within approximately 100 mV of the power-supply rails. For example, when the A_2 output is saturated, A_1 can continue to be in linear operation and responding to changes in the noninverting input voltage. This difference can give the appearance of linear operation but the output voltage is invalid.

A single-supply instrumentation amplifier has special design considerations. To achieve a common-mode range that extends to single-supply ground, the INA827 employs a current-feedback topology with PNP input transistors; see Figure 57. The matched PNP transistors (Q_1 and Q_2) shift the input voltages of both inputs up by a diode drop and (through the feedback network) shift the output of A_1 and A_2 by approximately +0.8 V. With both inputs and V_{REF} at single-supply ground (negative power supply), the output of A_1 and A_2 is well within the linear range, allowing differential measurements to be made at the GND level. As a result of this input level-shifting, the voltages at pins 2 and 3 are not equal to the respective input pin voltages (pins 1 and 4). For most applications, this inequality is not important because only the gain-setting resistor connects to these pins.

7.3.4 Inside the INA827

See Figure 61 for a simplified representation of the INA827. A more detailed diagram (shown in Figure 57) provides additional insight into the INA827 operation.

Each input is protected by two field-effect transistors (FETs) that provide a low series resistance under normal signal conditions and preserve excellent noise performance. When excessive voltage is applied, these transistors limit input current to approximately 8 mA.

The differential input voltage is buffered by Q₁ and Q₂ and is applied across R_G, causing a signal current to flow through R_G, R₁, and R₂. The output difference amplifier (A₃) removes the common-mode component of the input signal and refers the output signal to the REF pin.

The equations shown in Figure 57 describe the output voltages of A₁ and A₂. The V_{BE} and voltage drop across R₁ and R₂ produce output voltages on A₁ and A₂ that are approximately 0.8 V higher than the input voltages.

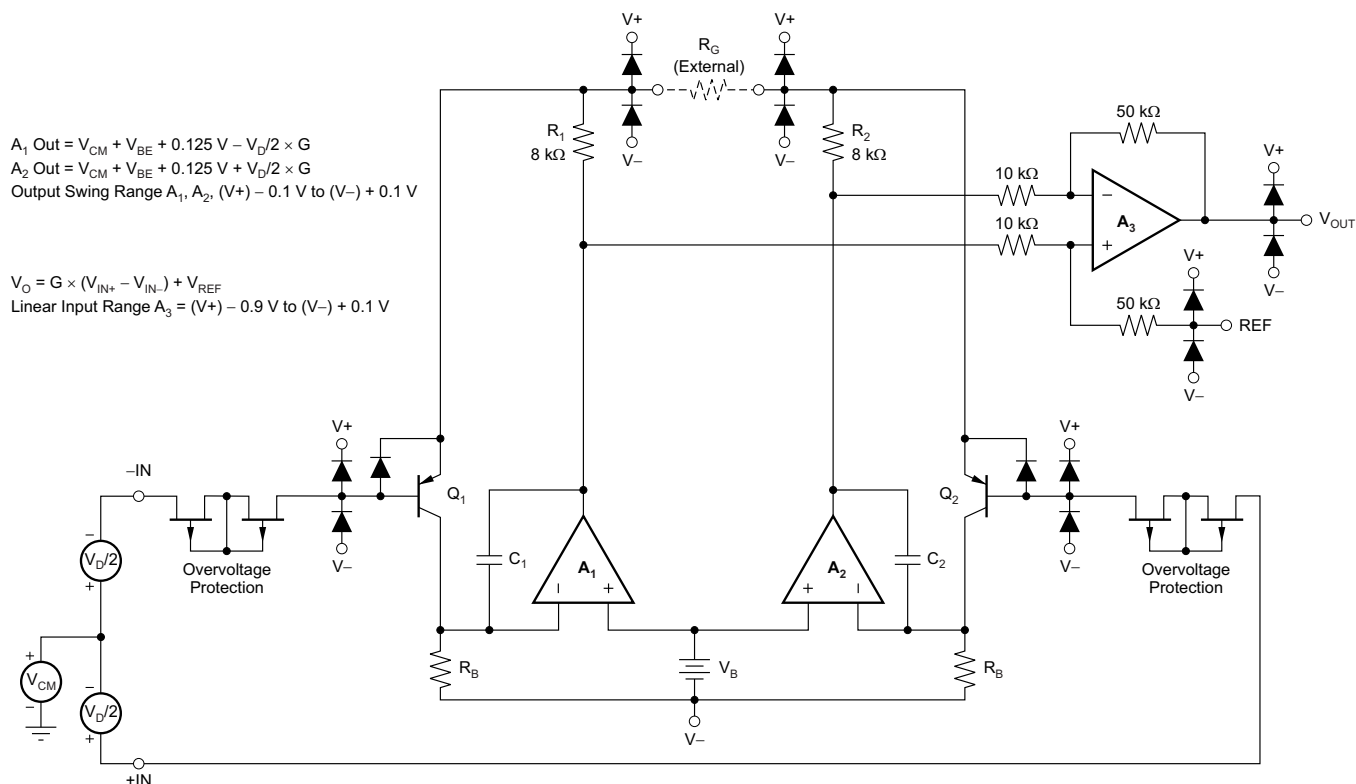


Figure 57. INA827 Simplified Circuit Diagram

7.3.5 Input Protection

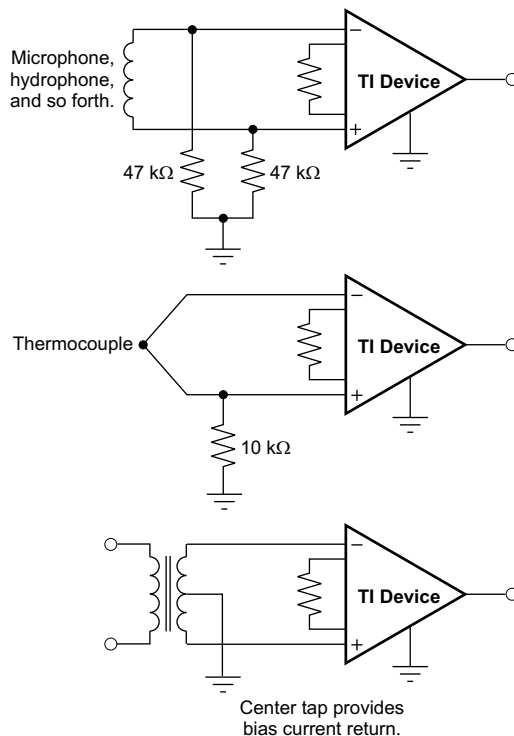
The INA827 inputs are individually protected for voltages up to ±40 V. For example, a condition of –40 V on one input and +40 V on the other input does not cause damage. However, if the input voltage exceeds [(V₋) – 2 V] and the signal source current drive capability exceeds 3.5 mA, the output voltage switches to the opposite polarity; see Figure 14. This polarity reversal can easily be avoided by adding a 10-kΩ resistance in series with both inputs.

Internal circuitry on each input provides low series impedance under normal signal conditions. If the input is overloaded, the protection circuitry limits the input current to a safe value of approximately 8 mA. Figure 14 illustrates this input current limit behavior. The inputs are protected even if the power supplies are disconnected or turned off.

7.3.6 Input Bias Current Return Path

The INA827 input impedance is extremely high—approximately 20 GΩ. However, a path must be provided for the input bias current of both inputs. This input bias current is typically 35 nA. High input impedance means that this input bias current changes very little with varying input voltage.

Input circuitry must provide a path for this input bias current for proper operation. Figure 58 shows various provisions for an input bias current path. Without a bias current path, the inputs float to a potential that exceeds the INA827 common-mode range, and the input amplifiers saturate. If the differential source resistance is low, the bias current return path can be connected to one input (as shown in the thermocouple example in Figure 58). With higher source impedance, using two equal resistors provides a balanced input with possible advantages of lower input offset voltage as a result of bias current and better high-frequency common-mode rejection.



Copyright © 2016, Texas Instruments Incorporated

Figure 58. Providing an Input Common-Mode Current Path

7.3.7 Reference Pin

The INA827 output voltage is developed with respect to the voltage on the reference pin. Often, in dual-supply operation, the reference pin (pin 6) is connected to the low-impedance system ground. Offsetting the output signal to a precise mid-supply level (for example, 2.5 V in a 5-V supply environment) can be useful in single-supply operation. The signal can be shifted by applying a voltage to the device REF pin, which can be useful when driving a single-supply ADC.

For best performance, keep any source impedance to the REF pin below 5 Ω. Referring to Figure 61, the reference resistor is at one end of a 50-kΩ resistor. Additional impedance at the REF pin adds to this 50-kΩ resistor. The imbalance in resistor ratios results in degraded common-mode rejection ratio (CMRR).

Figure 59 shows two different methods of driving the reference pin with low impedance. The OPA330 is a low-power, chopper-stabilized amplifier and therefore offers excellent stability over temperature. The OPA330 is available in the space-saving SC70 and even smaller chip-scale package. The REF3225 is a precision reference in a small SOT23-6 package.

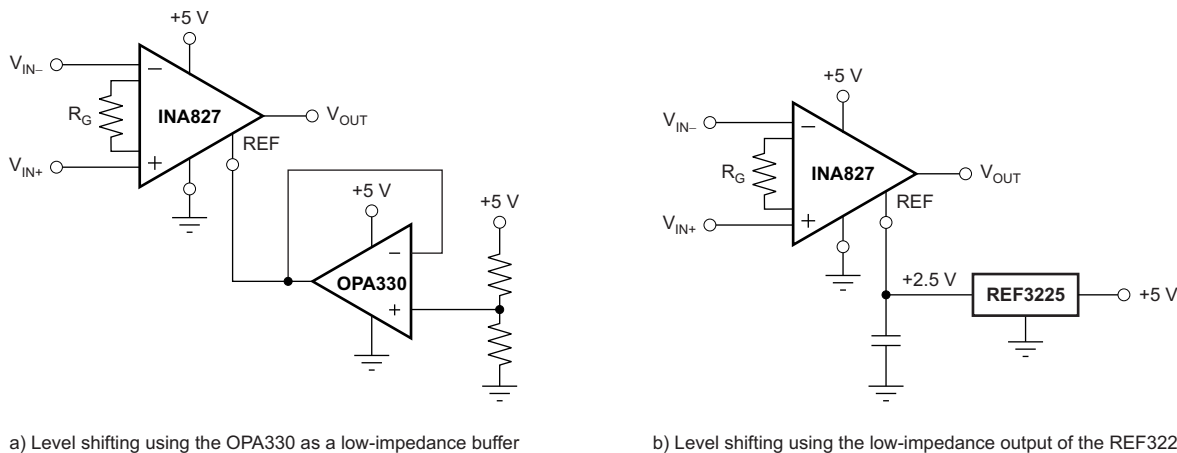


Figure 59. Options for Low-Impedance Level Shifting

7.3.8 Dynamic Performance

Figure 19 illustrates that, despite having low quiescent current of only 200 μA, the INA827 achieves much wider bandwidth than other instrumentation amplifiers (INAs) in its class. This achievement is a result of using TI's proprietary high-speed precision bipolar process technology. The current-feedback topology provides the INA827 with wide bandwidth even at high gains. Settling time also remains excellent at high gain because of a 1.5-V/μs high slew rate.

7.3.9 Operating Voltage

The INA827 operates over a power-supply range of +3 V to +36 V (± 1.5 V to ± 18 V). Supply voltages higher than 40 V (± 20 V) can permanently damage the device. Parameters that vary over supply voltage or temperature are shown in the [Typical Characteristics](#) section.

7.3.9.1 Low-Voltage Operation

The INA827 can operate on power supplies as low as ± 1.5 V. Most parameters vary only slightly throughout this supply voltage range; see the [Typical Characteristics](#) section. Operation at very low supply voltage requires careful attention to assure that the input voltages remain within the linear range. Voltage swing requirements of the internal nodes limit the input common-mode range with low power-supply voltage. [Figure 7](#) to [Figure 13](#) and [Figure 35](#) to [Figure 38](#) describe the linear operation range for various supply voltages, reference connections, and gains.

7.3.10 Error Sources

Most modern signal-conditioning systems calibrate errors at room temperature. However, calibration of errors that result from a change in temperature is normally difficult and costly. Therefore, these errors must be minimized by choosing high-precision components such as the INA827 that have improved specifications in critical areas that effect overall system precision. [Figure 60](#) shows an example application.

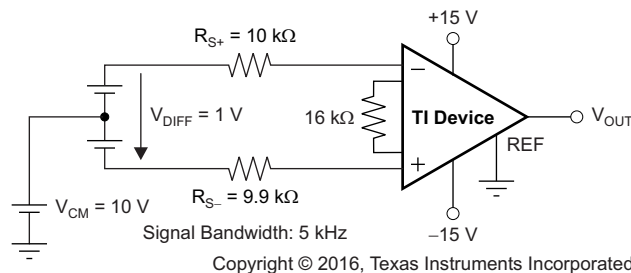


Figure 60. Example Application With $G = 10$ V/V and 1-V Differential Voltage

Resistor-adjustable INAs such as the INA827 yield the lowest gain error at $G = 5$ because of the inherently well-matched drift of the internal resistors of the differential amplifier. At gains greater than 5 (for instance, $G = 10$ V/V or $G = 100$ V/V) gain error becomes a significant error source because of the resistor drift contribution of the feedback resistors in conjunction with the external gain resistor. Except for very high gain applications, gain drift is by far the largest error contributor compared to other drift errors (such as offset drift). The INA827 offers the lowest gain error over temperature in the marketplace for both $G > 5$ and $G = 5$ (no external gain resistor). Table 2 summarizes the major error sources in common INA applications and compares the two cases of $G = 5$ (no external resistor) and $G = 10$ (with a 16-k Ω external resistor). As shown in Table 2, although the static errors (absolute accuracy errors) in $G = 5$ are almost twice as great as compared to $G = 10$, there is a great reduction in drift errors because of the significantly lower gain error drift. In most applications, these static errors can readily be removed during calibration in production. All calculations refer the error to the input for easy comparison and system evaluation.

Table 2. Error Calculation

ERROR SOURCE	ERROR CALCULATION	INA827		
		SPECIFICATION	G = 10 ERROR (ppm)	G = 1 ERROR (ppm)
ABSOLUTE ACCURACY AT +25°C				
Input offset voltage (μ V)	V_{OSI} / V_{DIFF}	150	150	150
Output offset voltage (μ V)	$V_{OSO} / (G \times V_{DIFF})$	2000	200	400
Input offset current (nA)	$I_{OS} \times \text{maximum}(R_{S+}, R_{S-}) / V_{DIFF}$	5	50	50
CMRR (dB)	$V_{CM} / (10^{CMRR/20} \times V_{DIFF})$	94 (G = 10), 88 (G = 5)	200	398
Total absolute accuracy error (ppm)			600	998
DRIFT TO +105°C				
Gain drift (ppm/°C)	$GTC \times (T_A - 25)$	25 (G = 10), 1 (G = 5)	2000	80
Input offset voltage drift (μ V/°C)	$(V_{OSI_TC} / V_{DIFF}) \times (T_A - 25)$	5	200	200
Output offset voltage drift (μ V/°C)	$[V_{OSO_TC} / (G \times V_{DIFF})] \times (T_A - 25)$	30	240	240
Total drift error (ppm)			2440	760
RESOLUTION				
Gain nonlinearity (ppm of FS)		5	5	5
Voltage noise (1 kHz)	$\sqrt{BW} \times \sqrt{(e_{NI}^2 + \left[\frac{e_{NO}}{G}\right]^2)} \times \frac{6}{V_{DIFF}}$	$e_{NI} = 17$ $e_{NO} = 250$	6	6
Total resolution error (ppm)			11	11
TOTAL ERROR				
Total error	Total error = sum of all error sources		3051	1769

7.4 Device Functional Modes

The INA827 has a single functional mode and is operational when the power-supply voltage is greater than 3 V (± 1.5 V). The maximum power-supply voltage for the INA827 is 36 V (± 18 V).

8 Application and Implementation

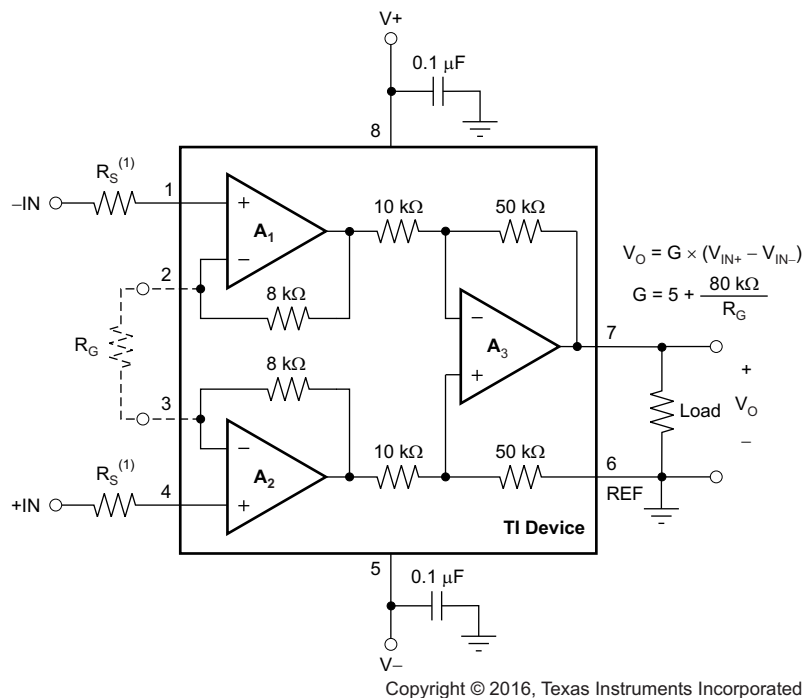
NOTE

Information in the following applications sections is not part of the TI component specification, and TI does not warrant its accuracy or completeness. TI's customers are responsible for determining suitability of components for their purposes. Customers should validate and test their design implementation to confirm system functionality.

8.1 Application Information

Figure 61 shows the basic connections required for device operation. Good layout practice mandates that bypass capacitors are placed as close to the device pins as possible.

The INA827 output is referred to the output reference (REF) pin, which is normally grounded. This connection must be low-impedance to assure good common-mode rejection. Although 5 Ω or less of stray resistance can be tolerated when maintaining specified CMRR, small stray resistances of tens of ohms in series with the REF pin can cause noticeable degradation in CMRR.

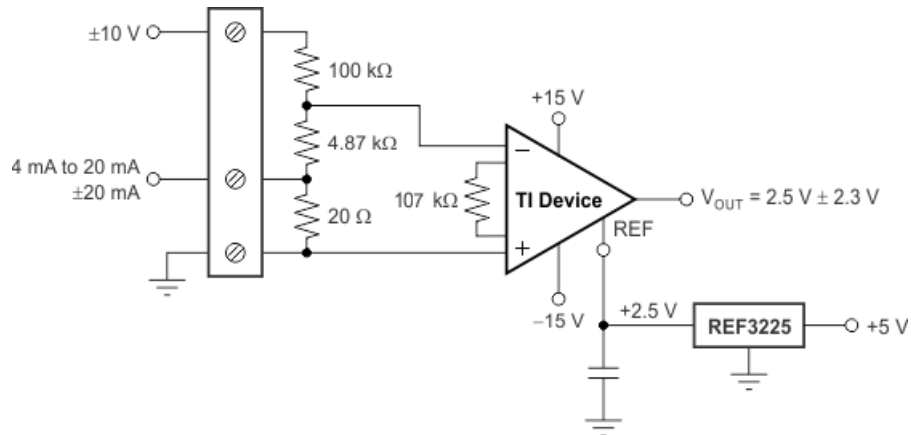


(1) This resistor is optional if the input voltage remains above $[(V-) - 2 \text{ V}]$ or if the signal source current drive capability is limited to less than 3.5 mA. See the [Input Protection](#) section for more details.

Figure 61. Basic Connections

8.2 Typical Application

An example programmable logic controller (PLC) input application using an INA827 is shown in [Figure 62](#).



Copyright © 2016, Texas Instruments Incorporated

Figure 62. ±10-V, 4-mA to 20-mA PLC Input

8.2.1 Design Requirements

This design has these requirements:

- Supply voltage: ±15 V, 5 V
- Inputs: ±10 V, ±20 mA
- Output: 2.5 V, ±2.3 V

8.2.2 Detailed Design Procedure

There are two modes of operation for the circuit shown in [Figure 62](#): current input and voltage input. This design requires $R_1 \gg R_2 \gg R_3$. Given this relationship, the current input mode transfer function is given by [Equation 2](#).

$$V_{\text{OUT-I}} = V_D \times G + V_{\text{REF}} = -(I_{\text{IN}} \times R_3) \times G + V_{\text{REF}}$$

where

- G represents the gain of the instrumentation amplifier (2)

The transfer function for the voltage input mode is shown by [Equation 3](#).

$$V_{\text{OUT-V}} = V_D \times G + V_{\text{REF}} = -\left[V_{\text{IN}} \times \frac{R_2}{R_1 + R_2} \right] \times G + V_{\text{REF}} \quad (3)$$

R_1 sets the input impedance of the voltage input mode. The minimum typical input impedance is 100 kΩ. 100 kΩ is selected for R_1 because increasing the R_1 value also increases noise. The value of R_3 must be extremely small compared to R_1 and R_2 . 20 Ω for R_3 is selected because that resistance value is much smaller than R_1 and yields an input voltage of ±400 mV when operated in current mode (±20 mA).

[Equation 4](#) can be used to calculate R_2 given $V_D = \pm 400$ mV, $V_{\text{IN}} = \pm 10$ V, and $R_1 = 100$ kΩ.

$$V_D = V_{\text{IN}} \times \frac{R_2}{R_1 + R_2} \rightarrow R_2 = \frac{R_1 \times V_D}{V_{\text{IN}} - V_D} = 4.167 \text{ k}\Omega \quad (4)$$

The value obtained from [Equation 4](#) is not a standard 0.1% value, so 4.12 kΩ is selected. R_1 and R_2 also use 0.1% tolerance resistors to minimize error.

The ideal gain of the instrumentation amplifier is calculated with [Equation 5](#).

$$G = \frac{V_{\text{OUT}} - V_{\text{REF}}}{V_D} = \frac{4.8 \text{ V} - 2.5 \text{ V}}{400 \text{ mV}} = 5.75 \frac{\text{V}}{\text{V}} \quad (5)$$

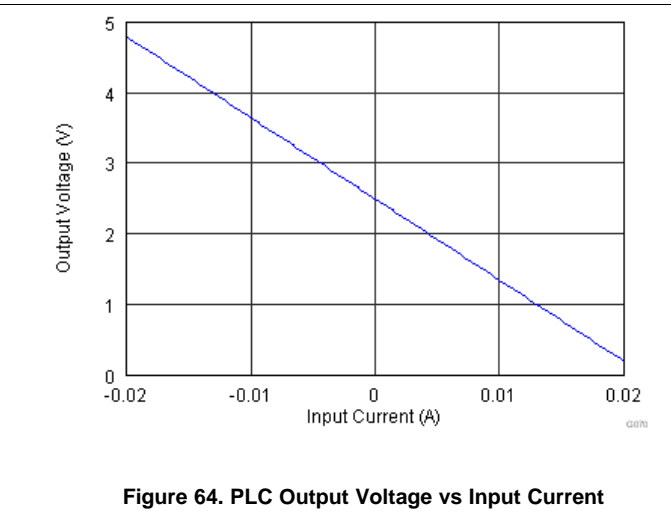
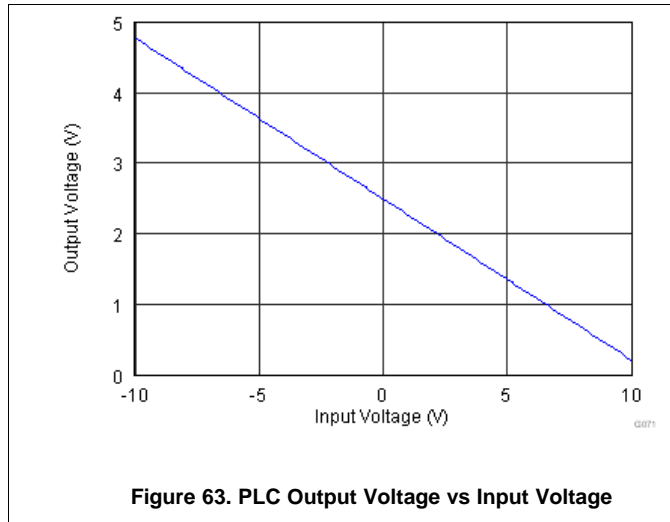
Typical Application (continued)

Using the INA827 gain equation, the gain-setting resistor value is calculated as shown by Equation 6.

$$G_{\text{INA827}} = 5 + \frac{80 \text{ k}\Omega}{R_G} \rightarrow R_G = \frac{80 \text{ k}\Omega}{G_{\text{INA827}} - 5} = \frac{80 \text{ k}\Omega}{5.75 - 5} = 107 \text{ k}\Omega \quad (6)$$

107 kΩ is a standard 0.1% resistor value that can be used in this design. Finally, the output RC filter components are selected to have a –3-dB cutoff frequency of 1 MHz.

8.2.3 Application Curves



9 Power Supply Recommendations

The nominal performance of the INA827 is specified with a supply voltage of $\pm 15\text{ V}$ and a mid-supply reference voltage. The device can also be operated using power supplies from $\pm 1.5\text{ V}$ (3 V) to $\pm 18\text{ V}$ (36 V) and non mid-supply reference voltages with excellent performance. Parameters that can vary significantly with operating voltage and reference voltage are illustrated in the [Typical Characteristics](#) section.

10 Layout

10.1 Layout Guidelines

Attention to good layout practices is always recommended. Keep traces short and, when possible, use a printed circuit board (PCB) ground plane with surface-mount components placed as close to the device pins as possible. Place 0.1- μF bypass capacitors close to the supply pins. Apply these guidelines throughout the analog circuit to improve performance and provide benefits such as reducing the electromagnetic-interference (EMI) susceptibility.

10.1.1 CMRR vs Frequency

The INA827 pinout is optimized for achieving maximum CMRR performance over a wide range of frequencies. However, care must be taken to ensure that both input paths are well-matched for source impedance and capacitance to avoid converting common-mode signals into differential signals. In addition, parasitic capacitance at the gain-setting pins can also affect CMRR over frequency. For example, in applications that implement gain switching using switches or PhotoMOS[®] relays to change the value of R_G , choose the component so that the switch capacitance is as small as possible.

10.2 Layout Example

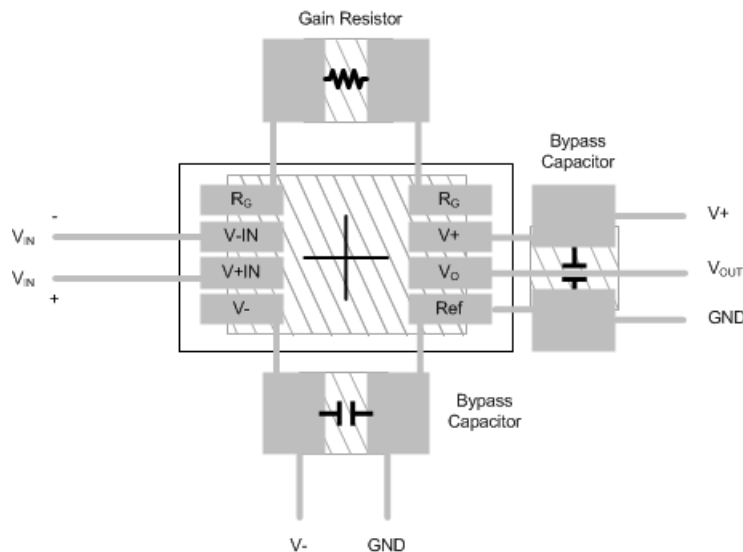


Figure 65. INA827 Example Layout

11 器件和文档支持

11.1 文档支持

11.1.1 相关文档

请参阅如下相关文档：

- 《具有轨至轨输出的 *INA826* 精密 200 μ A 电源电流、3V 至 36V 电源仪表放大器》(SBOS562)
- 《*OPAx330* 50 μ V VOS、0.25 μ V/ $^{\circ}$ C、35 μ A CMOS 运算放大器零漂移系列》(SBOS432)
- 《*REF32xx* 4ppm/ $^{\circ}$ C、100 μ A、SOT23-6 系列电压基准》(文献编号：SBVS058)
- (待定) 是否列出其他内容？

11.2 接收文档更新通知

要接收文档更新通知，请导航至 TI.com 上的器件产品文件夹。单击右上角的 *通知我* 进行注册，即可每周接收产品信息更改摘要。有关更改的详细信息，请查看任何已修订文档中包含的修订历史记录。

11.3 社区资源

下列链接提供到 TI 社区资源的连接。链接的内容由各个分销商“按照原样”提供。这些内容并不构成 TI 技术规范，并且不一定反映 TI 的观点；请参阅 TI 的《[使用条款](#)》。

TI E2E™ 在线社区 *TI 的工程师对工程师 (E2E) 社区*。此社区的创建目的在于促进工程师之间的协作。在 e2e.ti.com 中，您可以咨询问题、分享知识、拓展思路并与同行工程师一道帮助解决问题。

设计支持 *TI 参考设计支持* 可帮助您快速查找有帮助的 E2E 论坛、设计支持工具以及技术支持的联系信息。

11.4 商标

E2E is a trademark of Texas Instruments.

PhotoMOS is a registered trademark of Panasonic Electric Works Europe AG.

All other trademarks are the property of their respective owners.

11.5 静电放电警告



ESD 可能会损坏该集成电路。德州仪器 (TI) 建议通过适当的预防措施处理所有集成电路。如果不遵守正确的处理措施和安装程序，可能会损坏集成电路。

ESD 的损坏小至导致微小的性能降级，大至整个器件故障。精密的集成电路可能更容易受到损坏，这是因为非常细微的参数更改都可能会导致器件与其发布的规格不相符。

11.6 Glossary

SLYZ022 — *TI Glossary*.

This glossary lists and explains terms, acronyms, and definitions.

12 机械、封装和可订购信息

以下页面包含机械、封装和可订购信息。这些信息是指定器件的最新可用数据。数据如有变更，恕不另行通知和修订此文档。如欲获取此产品说明书的浏览器版本，请参阅左侧的导航。

PACKAGING INFORMATION

Orderable Device	Status (1)	Package Type	Package Drawing	Pins	Package Qty	Eco Plan (2)	Lead finish/ Ball material (6)	MSL Peak Temp (3)	Op Temp (°C)	Device Marking (4/5)	Samples
INA827AIDGK	ACTIVE	VSSOP	DGK	8	80	RoHS & Green	NIPDAUAG	Level-2-260C-1 YEAR	-40 to 125	IPSI	Samples
INA827AIDGKR	ACTIVE	VSSOP	DGK	8	2500	RoHS & Green	NIPDAUAG	Level-2-260C-1 YEAR	-40 to 125	IPSI	Samples

(1) The marketing status values are defined as follows:

ACTIVE: Product device recommended for new designs.

LIFEBUY: TI has announced that the device will be discontinued, and a lifetime-buy period is in effect.

NRND: Not recommended for new designs. Device is in production to support existing customers, but TI does not recommend using this part in a new design.

PREVIEW: Device has been announced but is not in production. Samples may or may not be available.

OBsolete: TI has discontinued the production of the device.

(2) **RoHS:** TI defines "RoHS" to mean semiconductor products that are compliant with the current EU RoHS requirements for all 10 RoHS substances, including the requirement that RoHS substance do not exceed 0.1% by weight in homogeneous materials. Where designed to be soldered at high temperatures, "RoHS" products are suitable for use in specified lead-free processes. TI may reference these types of products as "Pb-Free".

RoHS Exempt: TI defines "RoHS Exempt" to mean products that contain lead but are compliant with EU RoHS pursuant to a specific EU RoHS exemption.

Green: TI defines "Green" to mean the content of Chlorine (Cl) and Bromine (Br) based flame retardants meet JS709B low halogen requirements of <=1000ppm threshold. Antimony trioxide based flame retardants must also meet the <=1000ppm threshold requirement.

(3) MSL, Peak Temp. - The Moisture Sensitivity Level rating according to the JEDEC industry standard classifications, and peak solder temperature.

(4) There may be additional marking, which relates to the logo, the lot trace code information, or the environmental category on the device.

(5) Multiple Device Markings will be inside parentheses. Only one Device Marking contained in parentheses and separated by a "~" will appear on a device. If a line is indented then it is a continuation of the previous line and the two combined represent the entire Device Marking for that device.

(6) Lead finish/Ball material - Orderable Devices may have multiple material finish options. Finish options are separated by a vertical ruled line. Lead finish/Ball material values may wrap to two lines if the finish value exceeds the maximum column width.

Important Information and Disclaimer:The information provided on this page represents TI's knowledge and belief as of the date that it is provided. TI bases its knowledge and belief on information provided by third parties, and makes no representation or warranty as to the accuracy of such information. Efforts are underway to better integrate information from third parties. TI has taken and continues to take reasonable steps to provide representative and accurate information but may not have conducted destructive testing or chemical analysis on incoming materials and chemicals. TI and TI suppliers consider certain information to be proprietary, and thus CAS numbers and other limited information may not be available for release.

In no event shall TI's liability arising out of such information exceed the total purchase price of the TI part(s) at issue in this document sold by TI to Customer on an annual basis.

TAPE AND REEL INFORMATION

QUADRANT ASSIGNMENTS FOR PIN 1 ORIENTATION IN TAPE

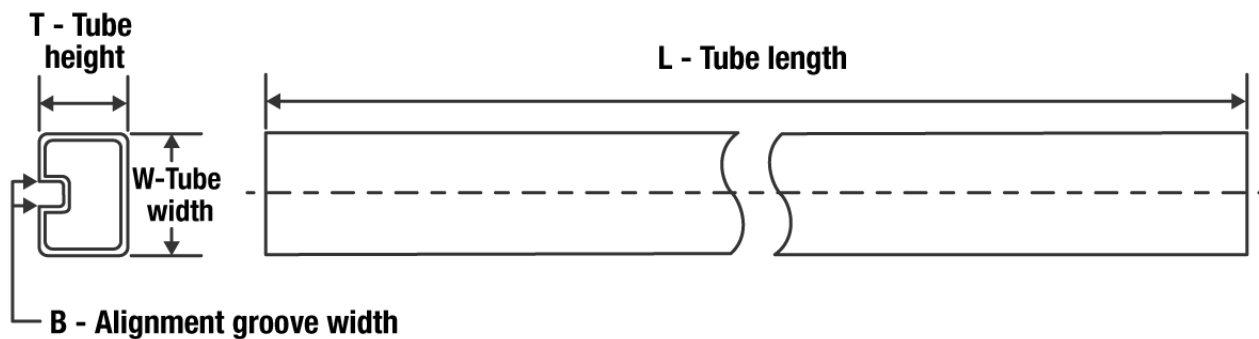

*All dimensions are nominal

Device	Package Type	Package Drawing	Pins	SPQ	Reel Diameter (mm)	Reel Width W1 (mm)	A0 (mm)	B0 (mm)	K0 (mm)	P1 (mm)	W (mm)	Pin1 Quadrant
INA827AIDGKR	VSSOP	DGK	8	2500	330.0	12.4	5.3	3.4	1.4	8.0	12.0	Q1

TAPE AND REEL BOX DIMENSIONS


*All dimensions are nominal

Device	Package Type	Package Drawing	Pins	SPQ	Length (mm)	Width (mm)	Height (mm)
INA827AIDGKR	VSSOP	DGK	8	2500	366.0	364.0	50.0

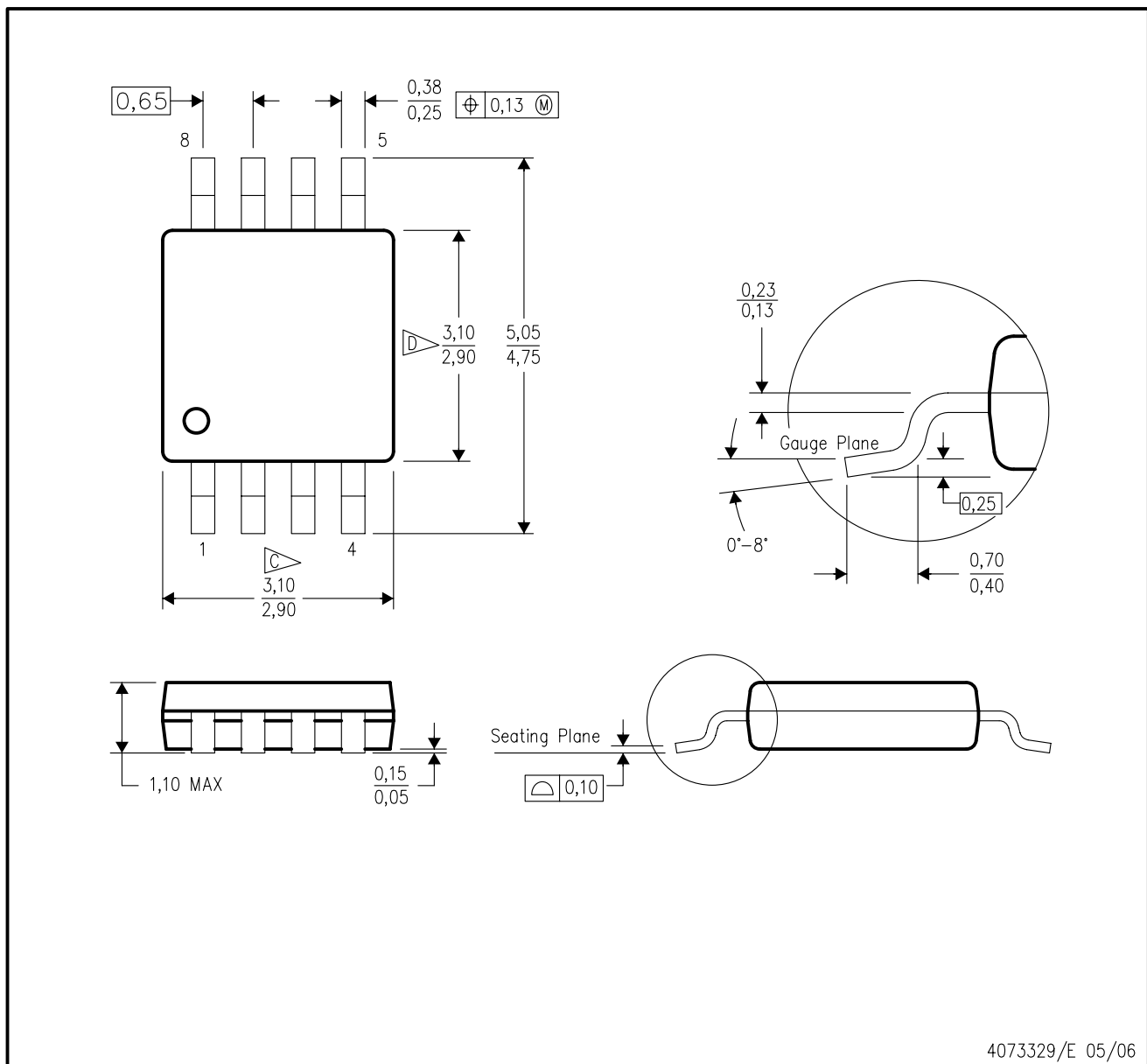
TUBE


*All dimensions are nominal

Device	Package Name	Package Type	Pins	SPQ	L (mm)	W (mm)	T (μm)	B (mm)
INA827AIDGK	DGK	VSSOP	8	80	330	6.55	500	2.88

DGK (S-PDSO-G8)

PLASTIC SMALL-OUTLINE PACKAGE



- NOTES:
- A. All linear dimensions are in millimeters.
 - B. This drawing is subject to change without notice.
 - C. Body length does not include mold flash, protrusions, or gate burrs. Mold flash, protrusions, or gate burrs shall not exceed 0.15 per end.
 - D. Body width does not include interlead flash. Interlead flash shall not exceed 0.50 per side.
 - E. Falls within JEDEC MO-187 variation AA, except interlead flash.



- NOTES:
- A. All linear dimensions are in millimeters.
 - B. This drawing is subject to change without notice.
 - C. Publication IPC-7351 is recommended for alternate designs.
 - D. Laser cutting apertures with trapezoidal walls and also rounding corners will offer better paste release. Customers should contact their board assembly site for stencil design recommendations. Refer to IPC-7525 for other stencil recommendations.
 - E. Customers should contact their board fabrication site for solder mask tolerances between and around signal pads.

重要声明和免责声明

TI“按原样”提供技术和可靠性数据（包括数据表）、设计资源（包括参考设计）、应用或其他设计建议、网络工具、安全信息和其他资源，不保证没有瑕疵且不做任何明示或暗示的担保，包括但不限于对适销性、某特定用途方面的适用性或不侵犯任何第三方知识产权的暗示担保。

这些资源可供使用 TI 产品进行设计的熟练开发人员使用。您将自行承担以下全部责任：(1) 针对您的应用选择合适的 TI 产品，(2) 设计、验证并测试您的应用，(3) 确保您的应用满足相应标准以及任何其他功能安全、信息安全、监管或其他要求。

这些资源如有变更，恕不另行通知。TI 授权您仅可将这些资源用于研发本资源所述的 TI 产品的应用。严禁对这些资源进行其他复制或展示。您无权使用任何其他 TI 知识产权或任何第三方知识产权。您应全额赔偿因在这些资源的使用中对 TI 及其代表造成的任何索赔、损害、成本、损失和债务，TI 对此概不负责。

TI 提供的产品受 [TI 的销售条款](#) 或 [ti.com](#) 上其他适用条款/TI 产品随附的其他适用条款的约束。TI 提供这些资源并不会扩展或以其他方式更改 TI 针对 TI 产品发布的适用的担保或担保免责声明。

TI 反对并拒绝您可能提出的任何其他或不同的条款。

邮寄地址：Texas Instruments, Post Office Box 655303, Dallas, Texas 75265

Copyright © 2022，德州仪器 (TI) 公司