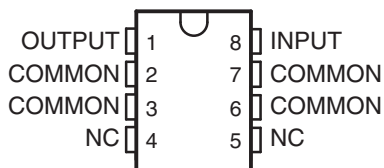


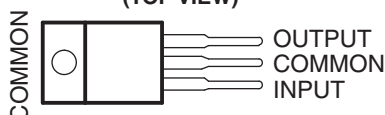
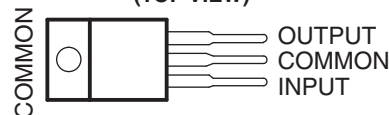
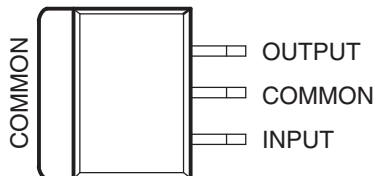
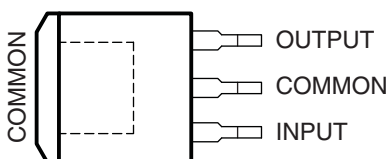
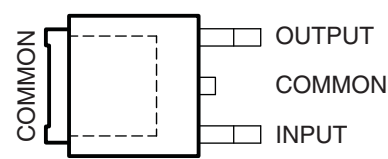
LOW-DROPOUT VOLTAGE REGULATORS

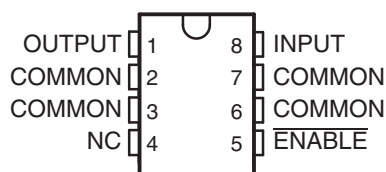
FEATURES

- Very Low Dropout Voltage, Less Than 0.6 V at 150 mA
- Very Low Quiescent Current
- TTL- and CMOS-Compatible Enable on TL751L Series
- 60-V Load-Dump Protection
- Reverse Transient Protection Down to –50 V
- Internal Thermal-Overload Protection
- Overvoltage Protection
- Internal Overcurrent-Limiting Circuitry
- Less Than 500- μ A Disable (TL751L Series)

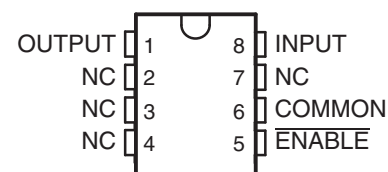
 TL750L...D PACKAGE
(TOP VIEW)


NC – No internal connection

 TL750L...KC PACKAGE
(TOP VIEW)

 TL750L...KCS PACKAGE
(TOP VIEW)

 TL750L...KTE PACKAGE
(TOP VIEW)

 TL750L...KTT PACKAGE
(TOP VIEW)

 TL750L...KVU PACKAGE
(TOP VIEW)

 TL750L...LP PACKAGE
(TO-92, TO-226AA)
(TOP VIEW)

 TL751L...D PACKAGE
(TOP VIEW)


NC – No internal connection

 TL751L...P PACKAGE
(TOP VIEW)


NC – No internal connection

DESCRIPTION/ORDERING INFORMATION

The TL750L and TL751L series of fixed-output voltage regulators offer 5-V, 8-V, 10-V, and 12-V options. The TL751L series also has an enable (ENABLE) input. When ENABLE is high, the regulator output is placed in the high-impedance state. This gives the designer complete control over power up, power down, or emergency shutdown.

The TL750L and TL751L series are low-dropout positive-voltage regulators specifically designed for battery-powered systems. These devices incorporate overvoltage and current-limiting protection circuitry, along with internal reverse-battery protection circuitry to protect the devices and the regulated system. The series is fully protected against 60-V load-dump and reverse-battery conditions. Extremely low quiescent current during full-load conditions makes these devices ideal for standby power systems.



Please be aware that an important notice concerning availability, standard warranty, and use in critical applications of Texas Instruments semiconductor products and disclaimers thereto appears at the end of this data sheet.

ORDERING INFORMATION⁽¹⁾

| T _J | V _O TYP AT 25°C | PACKAGE ⁽²⁾ | | ORDERABLE PART NUMBER | TOP-SIDE MARKING | |
|----------------|-------------------------------|------------------------|-------------------|-----------------------|------------------|-----------|
| 0°C to 125°C | 5 V | PowerFLEX™ – KTE | Reel of 2000 | TL750L05CKTER | TL750L05C | |
| | | SOIC – D | Tube of 75 | TL750L05CD | 50L05C | |
| | | | Reel of 2500 | TL750L05CDR | | |
| | | | Tube of 75 | TL751L05CD | 51L05C | |
| | | | Reel of 2500 | TL751L05CDR | | |
| | | TO-226/TO-92 – LP | Bulk of 1000 | TL750L05CLP | 750L05C | |
| | | | Reel of 2000 | TL750L05CLPR | | |
| | | TO-220 – KC | Tube of 50 | TL750L05CKC | TL750L05C | |
| | | TO-220 – KCS | Tube of 50 | TL750L05CKCS | TL750L05C | |
| | | TO-252 – KVU | Reel of 2500 | TL750L05CKVUR | 750L05C | |
| | | TO-263 – KTT | Reel of 500 | TL750L05CKTTR | 750L05C | |
| | | 8 V | SOIC – D | Tube of 75 | TL750L08CD | 50L08C |
| | | | | Reel of 2500 | TL750L08CDR | |
| | | | TO-226/TO-92 – LP | Bulk of 1000 | TL750L08CLP | 750L08C |
| | 10 V | | PDIP – P | Tube of 50 | TL751L10CP | TL751L10C |
| | | SOIC – D | Tube of 75 | TL750L10CD | 50L10C | |
| | | | Reel of 2500 | TL750L10CDR | | |
| | | | Tube of 75 | TL751L10CD | 51L10C | |
| | | | Reel of 2500 | TL751L10CDR | | |
| | | TO-226/TO-92 – LP | Bulk of 1000 | TL750L10CLP | 750L10C | |
| | Reel of 2000 | | TL750L10CLPR | | | |
| | 12 V | SOIC – D | Tube of 75 | TL750L12CD | 50L12C | |
| | | | Reel of 2500 | TL750L12CDR | | |
| | | | Tube of 75 | TL751L12CD | 51L12C | |
| | | | Reel of 2500 | TL751L12CDR | | |
| | | TO-226/TO-92 – LP | Bulk of 1000 | TL750L12CLP | 750L12C | |

- (1) For the most current package and ordering information, see the Package Option Addendum at the end of this document, or see the TI web site at www.ti.com.
 (2) Package drawings, thermal data, and symbolization are available at www.ti.com/packaging.

| DEVICE COMPONENT COUNT | |
|------------------------|----|
| Transistors | 20 |
| JFETs | 2 |
| Diodes | 5 |
| Resistors | 16 |

Absolute Maximum Ratings⁽¹⁾

over operating junction temperature range (unless otherwise noted)

| | | MIN | MAX | UNIT | |
|------------------|--|---------------------------|-----|------------------|------------------|
| | Continuous input voltage | | 26 | V | |
| | Transient input voltage ⁽²⁾ | $T_A = 25^\circ\text{C}$ | 60 | V | |
| | Continuous reverse input voltage | | -15 | V | |
| | Transient reverse input voltage | $t \leq 100 \text{ ms}$ | -50 | V | |
| T_J | Operating virtual junction temperature | | 150 | $^\circ\text{C}$ | |
| | Lead temperature | 1,6 mm (1/16 in) for 10 s | 260 | $^\circ\text{C}$ | |
| T_{stg} | Storage temperature range | | -65 | 150 | $^\circ\text{C}$ |

- (1) Stresses beyond those listed under "absolute maximum ratings" may cause permanent damage to the device. These are stress ratings only, and functional operation of the device at these or any other conditions beyond those indicated under "recommended operating conditions" is not implied. Exposure to absolute-maximum-rated conditions for extended periods may affect device reliability.
- (2) The transient input voltage rating applies to the waveform shown in Figure 1.

Package Thermal Data⁽¹⁾

| PACKAGE | BOARD | θ_{JC} | θ_{JA} |
|-------------------|-------------------|------------------------------|--------------------------------|
| PDIP (P) | High K, JESD 51-7 | 57 $^\circ\text{C}/\text{W}$ | 85 $^\circ\text{C}/\text{W}$ |
| PowerFLEX™ (KTE) | High K, JESD 51-5 | 3 $^\circ\text{C}/\text{W}$ | 23 $^\circ\text{C}/\text{W}$ |
| SOIC (D) | High K, JESD 51-7 | 39 $^\circ\text{C}/\text{W}$ | 97 $^\circ\text{C}/\text{W}$ |
| TO-226/TO-92 (LP) | High K, JESD 51-7 | 55 $^\circ\text{C}/\text{W}$ | 140 $^\circ\text{C}/\text{W}$ |
| TO-220 (KC) | High K, JESD 51-5 | 3 $^\circ\text{C}/\text{W}$ | 19 $^\circ\text{C}/\text{W}$ |
| TO-220 (KCS) | High K, JESD 51-5 | 3 $^\circ\text{C}/\text{W}$ | 19 $^\circ\text{C}/\text{W}$ |
| TO-252 (KVU) | High K, JESD 51-5 | – | 30.3 $^\circ\text{C}/\text{W}$ |
| TO-263 (KTT) | High K, JESD 51-5 | 18 $^\circ\text{C}/\text{W}$ | 25.3 $^\circ\text{C}/\text{W}$ |

- (1) Maximum power dissipation is a function of $T_J(\text{max})$, θ_{JA} , and T_A . The maximum allowable power dissipation at any allowable ambient temperature is $P_D = (T_J(\text{max}) - T_A)/\theta_{\text{JA}}$. Operating at the absolute maximum T_J of 150 $^\circ\text{C}$ can affect reliability.

Recommended Operating Conditions

over recommended operating junction temperature range (unless otherwise noted)

| | | | MIN | MAX | UNIT | |
|--------------------------------|---|---|----------|-------|------------------|---|
| V_I | Input voltage | TL75xL05 | 6 | 26 | V | |
| | | TL75xL08 | 9 | 26 | | |
| | | TL75xL10 | 11 | 26 | | |
| | | TL75xL12 | 13 | 26 | | |
| V_{IH} | High-level $\overline{\text{ENABLE}}$ input voltage | TL75xLxx | 2 | 15 | V | |
| V_{IL} ⁽¹⁾ | Low-level $\overline{\text{ENABLE}}$ input voltage | $T_J = 25^\circ\text{C}$ | TL75xLxx | -0.3 | 0.8 | V |
| | | $T_J = 0^\circ\text{C}$ to 125 $^\circ\text{C}$ | TL75xLxx | -0.15 | 0.8 | |
| I_O | Output current | TL75xLxx | 0 | 150 | mA | |
| T_J | Operating virtual junction temperature | TL75xLxxC | 0 | 125 | $^\circ\text{C}$ | |

- (1) The algebraic convention, in which the least positive (most negative) value is designated minimum, is used in this data sheet for $\overline{\text{ENABLE}}$ voltage levels and temperature only.

TL75xL05 Electrical Characteristics⁽¹⁾

$V_I = 14\text{ V}$, $I_O = 10\text{ mA}$, $T_J = 25^\circ\text{C}$ (unless otherwise noted)

| PARAMETER | TEST CONDITIONS | TL750L05 TL751L05 | | | UNIT | |
|---------------------------|---|---|------|-----|---------------|---|
| | | MIN | TYP | MAX | | |
| Output voltage | $V_I = 6\text{ V to } 26\text{ V}$, $I_O = 0\text{ to } 150\text{ mA}$ | $T_J = 25^\circ\text{C}$ | 4.8 | 5 | 5.2 | V |
| | | $T_J = 0^\circ\text{C to } 125^\circ\text{C}$ | 4.75 | | 5.25 | |
| Input regulation voltage | $V_I = 9\text{ V to } 16\text{ V}$ | | 5 | 10 | mV | |
| | $V_I = 6\text{ V to } 26\text{ V}$ | | 6 | 30 | | |
| Ripple rejection | $V_I = 8\text{ V to } 18\text{ V}$, $f = 120\text{ Hz}$ | 60 | 65 | | dB | |
| Output regulation voltage | $I_O = 5\text{ mA to } 150\text{ mA}$ | | 20 | 50 | mV | |
| Dropout voltage | $I_O = 10\text{ mA}$ | | | 0.2 | V | |
| | $I_O = 150\text{ mA}$ | | | 0.6 | | |
| Output noise voltage | $f = 10\text{ Hz to } 100\text{ kHz}$ | | 500 | | μV | |
| Quiescent current | $I_O = 150\text{ mA}$ | | 10 | 12 | mA | |
| | $V_I = 6\text{ V to } 26\text{ V}$, $I_O = 10\text{ mA}$, $T_J = 0^\circ\text{C to } 125^\circ\text{C}$ | | 1 | 2 | | |
| | $\overline{\text{ENABLE}} \geq 2\text{ V}$ | | | 0.5 | | |

(1) Pulse-testing techniques are used to maintain the junction temperature as close to the ambient temperature as possible. Thermal effects must be taken into account separately. All characteristics are measured with a 0.1- μF capacitor across the input and a 10- μF capacitor, with equivalent series resistance of less than 0.4 Ω , across the output.

TL75xL08 Electrical Characteristics⁽¹⁾

$V_I = 14\text{ V}$, $I_O = 10\text{ mA}$, $T_J = 25^\circ\text{C}$ (unless otherwise noted)

| PARAMETER | TEST CONDITIONS | TL750L08 TL751L08 | | | UNIT | |
|---------------------------|---|---|------|-----|---------------|---|
| | | MIN | TYP | MAX | | |
| Output voltage | $V_I = 9\text{ V to } 26\text{ V}$, $I_O = 0\text{ to } 150\text{ mA}$ | $T_J = 25^\circ\text{C}$ | 7.68 | 8 | 8.32 | V |
| | | $T_J = 0^\circ\text{C to } 125^\circ\text{C}$ | 7.6 | | 8.4 | |
| Input regulation voltage | $V_I = 10\text{ V to } 17\text{ V}$ | | 10 | 20 | mV | |
| | $V_I = 9\text{ V to } 26\text{ V}$ | | 25 | 50 | | |
| Ripple rejection | $V_I = 11\text{ V to } 21\text{ V}$, $f = 120\text{ Hz}$ | 60 | 65 | | dB | |
| Output regulation voltage | $I_O = 5\text{ mA to } 150\text{ mA}$ | | 40 | 80 | mV | |
| Dropout voltage | $I_O = 10\text{ mA}$ | | | 0.2 | V | |
| | $I_O = 150\text{ mA}$ | | | 0.6 | | |
| Output noise voltage | $f = 10\text{ Hz to } 100\text{ kHz}$ | | 500 | | μV | |
| Quiescent current | $I_O = 150\text{ mA}$ | | 10 | 12 | mA | |
| | $V_I = 9\text{ V to } 26\text{ V}$, $I_O = 10\text{ mA}$, $T_J = 0^\circ\text{C to } 125^\circ\text{C}$ | | 1 | 2 | | |
| | $\overline{\text{ENABLE}} \geq 2\text{ V}$ | | | 0.5 | | |

(1) Pulse-testing techniques are used to maintain the junction temperature as close to the ambient temperature as possible. Thermal effects must be taken into account separately. All characteristics are measured with a 0.1- μF capacitor across the input and a 10- μF capacitor, with equivalent series resistance of less than 0.4 Ω , across the output.

TL75xL10 Electrical Characteristics⁽¹⁾

 $V_I = 14\text{ V}$, $I_O = 10\text{ mA}$, $T_J = 25^\circ\text{C}$ (unless otherwise noted)

| PARAMETER | TEST CONDITIONS | TL750L10 TL751L10 | | | UNIT | |
|---------------------------|--|--|-----|-----|---------------|---|
| | | MIN | TYP | MAX | | |
| Output voltage | $V_I = 11\text{ V to }26\text{ V}$, $I_O = 0\text{ to }150\text{ mA}$ | $T_J = 25^\circ\text{C}$ | 9.6 | 10 | 10.4 | V |
| | | $T_J = 0^\circ\text{C to }125^\circ\text{C}$ | 9.5 | | 10.5 | |
| Input regulation voltage | $V_I = 12\text{ V to }19\text{ V}$ | | 10 | 25 | mV | |
| | $V_I = 11\text{ V to }26\text{ V}$ | | 30 | 60 | | |
| Ripple rejection | $V_I = 12\text{ V to }22\text{ V}$, $f = 120\text{ Hz}$ | 60 | 65 | | dB | |
| Output regulation voltage | $I_O = 5\text{ mA to }150\text{ mA}$ | | 50 | 100 | mV | |
| Dropout voltage | $I_O = 10\text{ mA}$ | | | 0.2 | V | |
| | $I_O = 150\text{ mA}$ | | | 0.6 | | |
| Output noise voltage | $f = 10\text{ Hz to }100\text{ kHz}$ | | 700 | | μV | |
| Quiescent current | $I_O = 150\text{ mA}$ | | 10 | 12 | mA | |
| | $V_I = 11\text{ V to }26\text{ V}$, $I_O = 10\text{ mA}$, $T_J = 0^\circ\text{C to }125^\circ\text{C}$ | | 1 | 2 | | |
| | $\overline{\text{ENABLE}} \geq 2\text{ V}$ | | | 0.5 | | |

(1) Pulse-testing techniques are used to maintain the junction temperature as close to the ambient temperature as possible. Thermal effects must be taken into account separately. All characteristics are measured with a 0.1- μF capacitor across the input and a 10- μF capacitor, with equivalent series resistance of less than 0.4 Ω , across the output.

TL75xL12 Electrical Characteristics⁽¹⁾

 $V_I = 14\text{ V}$, $I_O = 10\text{ mA}$, $T_J = 25^\circ\text{C}$ (unless otherwise noted)

| PARAMETER | TEST CONDITIONS | TL750L12 TL751L12 | | | UNIT | |
|---------------------------|--|--|-------|-----|---------------|---|
| | | MIN | TYP | MAX | | |
| Output voltage | $V_I = 13\text{ V to }26\text{ V}$, $I_O = 0\text{ to }150\text{ mA}$ | $T_J = 25^\circ\text{C}$ | 11.52 | 12 | 12.48 | V |
| | | $T_J = 0^\circ\text{C to }125^\circ\text{C}$ | 11.4 | | 12.6 | |
| Input regulation voltage | $V_I = 14\text{ V to }19\text{ V}$ | | 15 | 30 | mV | |
| | $V_I = 13\text{ V to }26\text{ V}$ | | 20 | 40 | | |
| Ripple rejection | $V_I = 13\text{ V to }23\text{ V}$, $f = 120\text{ Hz}$ | 50 | 55 | | dB | |
| Output regulation voltage | $I_O = 5\text{ mA to }150\text{ mA}$ | | 50 | 120 | mV | |
| Dropout voltage | $I_O = 10\text{ mA}$ | | | 0.2 | V | |
| | $I_O = 150\text{ mA}$ | | | 0.6 | | |
| Output noise voltage | $f = 10\text{ Hz to }100\text{ kHz}$ | | 700 | | μV | |
| Quiescent current | $I_O = 150\text{ mA}$ | | 10 | 12 | mA | |
| | $V_I = 13\text{ V to }26\text{ V}$, $I_O = 10\text{ mA}$, $T_J = 0^\circ\text{C to }125^\circ\text{C}$ | | 1 | 2 | | |
| | $\overline{\text{ENABLE}} \geq 2\text{ V}$ | | | 0.5 | | |

(1) Pulse-testing techniques are used to maintain the junction temperature as close to the ambient temperature as possible. Thermal effects must be taken into account separately. All characteristics are measured with a 0.1- μF capacitor across the input and a 10- μF capacitor, with equivalent series resistance of less than 0.4 Ω , across the output.

PARAMETER MEASUREMENT INFORMATION

The TL750L, TL751L series are low-dropout regulators. This means that capacitance loading is important to the performance of the regulator because it is a vital part of the control loop. The capacitor value and its equivalent series resistance (ESR) both affect the control loop and must be defined for the load range and temperature range. [Figure 1](#) shows the recommended range of ESR for a given load with a 10- μF capacitor on the output.

TYPICAL CHARACTERISTICS

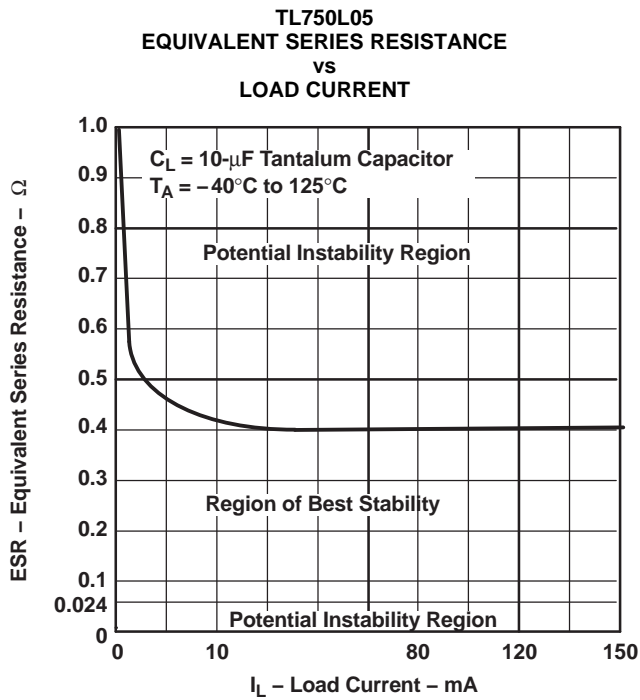


Figure 1.

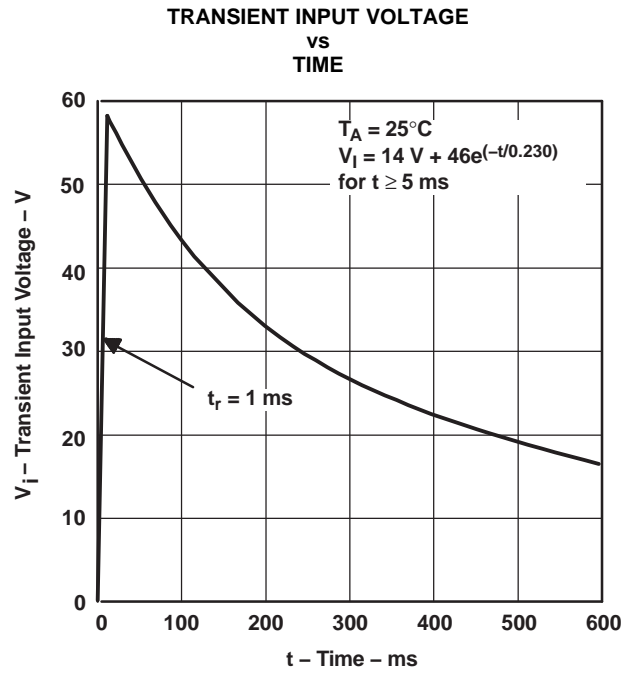


Figure 2.

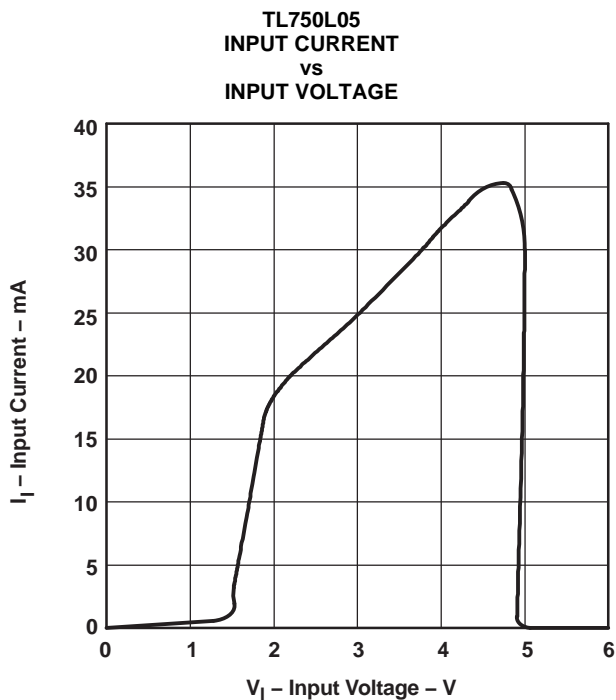


Figure 3.

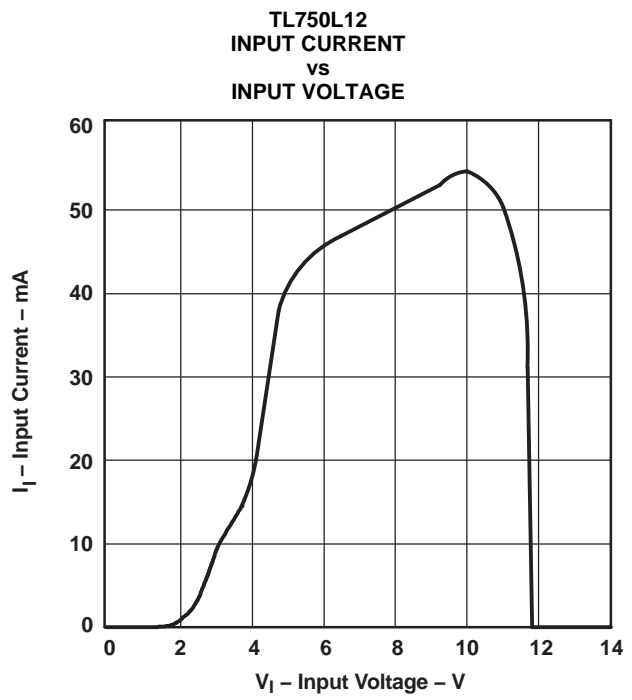


Figure 4.

PACKAGING INFORMATION

| Orderable Device | Status (1) | Package Type | Package Drawing | Pins | Package Qty | Eco Plan (2) | Lead finish/ Ball material (6) | MSL Peak Temp (3) | Op Temp (°C) | Device Marking (4/5) | Samples |
|------------------|---------------|------------------|-----------------|------|-------------|-----------------|--------------------------------------|----------------------|--------------|-------------------------|-------------------------|
| TL750L05CD | ACTIVE | SOIC | D | 8 | 75 | RoHS & Green | NIPDAU | Level-1-260C-UNLIM | 0 to 125 | 50L05C | Samples |
| TL750L05CDR | ACTIVE | SOIC | D | 8 | 2500 | RoHS & Green | NIPDAU | Level-1-260C-UNLIM | 0 to 125 | 50L05C | Samples |
| TL750L05CKGS | ACTIVE | TO-220 | KCS | 3 | 50 | RoHS & Green | SN | N / A for Pkg Type | 0 to 125 | TL750L05C | Samples |
| TL750L05CKCSE3 | ACTIVE | TO-220 | KCS | 3 | 50 | RoHS & Green | SN | N / A for Pkg Type | 0 to 125 | TL750L05C | Samples |
| TL750L05CKTTR | ACTIVE | DDPAK/ TO-263 | KTT | 3 | 500 | RoHS & Green | SN | Level-3-245C-168 HR | 0 to 125 | TL750L05C | Samples |
| TL750L05CKTTRG3 | ACTIVE | DDPAK/ TO-263 | KTT | 3 | 500 | RoHS & Green | SN | Level-3-245C-168 HR | 0 to 125 | TL750L05C | Samples |
| TL750L05CKVURG3 | ACTIVE | TO-252 | KVU | 3 | 2500 | RoHS & Green | SN | Level-3-260C-168 HR | 0 to 125 | 750L05C | Samples |
| TL750L05CLP | ACTIVE | TO-92 | LP | 3 | 1000 | RoHS & Green | SN | N / A for Pkg Type | 0 to 125 | 750L05C | Samples |
| TL750L05CLPE3 | ACTIVE | TO-92 | LP | 3 | 1000 | RoHS & Green | SN | N / A for Pkg Type | 0 to 125 | 750L05C | Samples |
| TL750L05CLPR | ACTIVE | TO-92 | LP | 3 | 2000 | RoHS & Green | SN | N / A for Pkg Type | 0 to 125 | 750L05C | Samples |
| TL750L05CLPRE3 | ACTIVE | TO-92 | LP | 3 | 2000 | RoHS & Green | SN | N / A for Pkg Type | 0 to 125 | 750L05C | Samples |
| TL750L08CD | ACTIVE | SOIC | D | 8 | 75 | RoHS & Green | NIPDAU | Level-2-260C-1 YEAR | 0 to 125 | 50L08C | Samples |
| TL750L08CDR | ACTIVE | SOIC | D | 8 | 2500 | RoHS & Green | NIPDAU | Level-2-260C-1 YEAR | 0 to 125 | 50L08C | Samples |
| TL750L08CLP | ACTIVE | TO-92 | LP | 3 | 1000 | RoHS & Green | SN | N / A for Pkg Type | 0 to 125 | 750L08C | Samples |
| TL750L08CLPE3 | ACTIVE | TO-92 | LP | 3 | 1000 | RoHS & Green | SN | N / A for Pkg Type | 0 to 125 | 750L08C | Samples |
| TL750L10CD | ACTIVE | SOIC | D | 8 | 75 | RoHS & Green | NIPDAU | Level-1-260C-UNLIM | 0 to 125 | 50L10C | Samples |
| TL750L10CDR | ACTIVE | SOIC | D | 8 | 2500 | RoHS & Green | NIPDAU | Level-1-260C-UNLIM | 0 to 125 | 50L10C | Samples |
| TL750L10CLP | ACTIVE | TO-92 | LP | 3 | 1000 | RoHS & Green | SN | N / A for Pkg Type | 0 to 125 | 750L10C | Samples |
| TL750L10CLPR | ACTIVE | TO-92 | LP | 3 | 2000 | RoHS & Green | SN | N / A for Pkg Type | 0 to 125 | 750L10C | Samples |

| Orderable Device | Status (1) | Package Type | Package Drawing | Pins | Package Qty | Eco Plan (2) | Lead finish/ Ball material (6) | MSL Peak Temp (3) | Op Temp (°C) | Device Marking (4/5) | Samples |
|------------------|---------------|--------------|-----------------|------|-------------|-----------------|--------------------------------------|----------------------|--------------|-------------------------|-------------------------|
| TL750L12CD | ACTIVE | SOIC | D | 8 | 75 | RoHS & Green | NIPDAU | Level-1-260C-UNLIM | 0 to 125 | 50L12C | Samples |
| TL750L12CDR | ACTIVE | SOIC | D | 8 | 2500 | RoHS & Green | NIPDAU | Level-1-260C-UNLIM | 0 to 125 | 50L12C | Samples |
| TL750L12CLP | ACTIVE | TO-92 | LP | 3 | 1000 | RoHS & Green | SN | N / A for Pkg Type | 0 to 125 | 750L12C | Samples |
| TL751L05CD | ACTIVE | SOIC | D | 8 | 75 | RoHS & Green | NIPDAU | Level-1-260C-UNLIM | 0 to 125 | 51L05C | Samples |
| TL751L05CDE4 | ACTIVE | SOIC | D | 8 | 75 | RoHS & Green | NIPDAU | Level-1-260C-UNLIM | 0 to 125 | 51L05C | Samples |
| TL751L05CDG4 | ACTIVE | SOIC | D | 8 | 75 | RoHS & Green | NIPDAU | Level-1-260C-UNLIM | 0 to 125 | 51L05C | Samples |
| TL751L05CDR | ACTIVE | SOIC | D | 8 | 2500 | RoHS & Green | NIPDAU | Level-1-260C-UNLIM | 0 to 125 | 51L05C | Samples |
| TL751L10CD | ACTIVE | SOIC | D | 8 | 75 | RoHS & Green | NIPDAU | Level-1-260C-UNLIM | 0 to 125 | 51L10C | Samples |
| TL751L10CDR | ACTIVE | SOIC | D | 8 | 2500 | RoHS & Green | NIPDAU | Level-1-260C-UNLIM | 0 to 125 | 51L10C | Samples |
| TL751L10CP | ACTIVE | PDIP | P | 8 | 50 | RoHS & Green | NIPDAU | N / A for Pkg Type | 0 to 125 | TL751L10C | Samples |
| TL751L12CD | ACTIVE | SOIC | D | 8 | 75 | RoHS & Green | NIPDAU | Level-1-260C-UNLIM | 0 to 125 | 51L12C | Samples |
| TL751L12CDR | ACTIVE | SOIC | D | 8 | 2500 | RoHS & Green | NIPDAU | Level-1-260C-UNLIM | 0 to 125 | 51L12C | Samples |
| TL751L12CDRG4 | ACTIVE | SOIC | D | 8 | 2500 | RoHS & Green | NIPDAU | Level-1-260C-UNLIM | 0 to 125 | 51L12C | Samples |

(1) The marketing status values are defined as follows:

ACTIVE: Product device recommended for new designs.

LIFEBUY: TI has announced that the device will be discontinued, and a lifetime-buy period is in effect.

NRND: Not recommended for new designs. Device is in production to support existing customers, but TI does not recommend using this part in a new design.

PREVIEW: Device has been announced but is not in production. Samples may or may not be available.

OBSELETE: TI has discontinued the production of the device.

(2) **RoHS:** TI defines "RoHS" to mean semiconductor products that are compliant with the current EU RoHS requirements for all 10 RoHS substances, including the requirement that RoHS substance do not exceed 0.1% by weight in homogeneous materials. Where designed to be soldered at high temperatures, "RoHS" products are suitable for use in specified lead-free processes. TI may reference these types of products as "Pb-Free".

RoHS Exempt: TI defines "RoHS Exempt" to mean products that contain lead but are compliant with EU RoHS pursuant to a specific EU RoHS exemption.

Green: TI defines "Green" to mean the content of Chlorine (Cl) and Bromine (Br) based flame retardants meet JS709B low halogen requirements of <=1000ppm threshold. Antimony trioxide based flame retardants must also meet the <=1000ppm threshold requirement.

- (3) MSL, Peak Temp. - The Moisture Sensitivity Level rating according to the JEDEC industry standard classifications, and peak solder temperature.
- (4) There may be additional marking, which relates to the logo, the lot trace code information, or the environmental category on the device.
- (5) Multiple Device Markings will be inside parentheses. Only one Device Marking contained in parentheses and separated by a "~" will appear on a device. If a line is indented then it is a continuation of the previous line and the two combined represent the entire Device Marking for that device.
- (6) Lead finish/Ball material - Orderable Devices may have multiple material finish options. Finish options are separated by a vertical ruled line. Lead finish/Ball material values may wrap to two lines if the finish value exceeds the maximum column width.

Important Information and Disclaimer:The information provided on this page represents TI's knowledge and belief as of the date that it is provided. TI bases its knowledge and belief on information provided by third parties, and makes no representation or warranty as to the accuracy of such information. Efforts are underway to better integrate information from third parties. TI has taken and continues to take reasonable steps to provide representative and accurate information but may not have conducted destructive testing or chemical analysis on incoming materials and chemicals. TI and TI suppliers consider certain information to be proprietary, and thus CAS numbers and other limited information may not be available for release.

In no event shall TI's liability arising out of such information exceed the total purchase price of the TI part(s) at issue in this document sold by TI to Customer on an annual basis.

TAPE AND REEL INFORMATION

QUADRANT ASSIGNMENTS FOR PIN 1 ORIENTATION IN TAPE

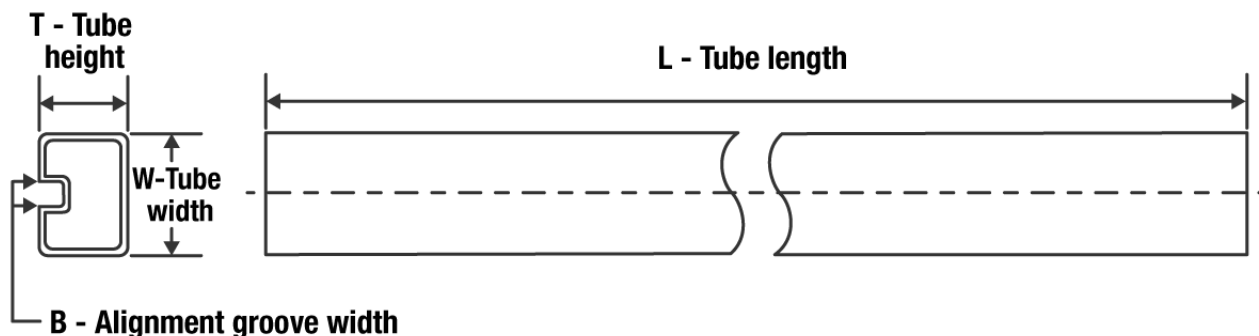

*All dimensions are nominal

| Device | Package Type | Package Drawing | Pins | SPQ | Reel Diameter (mm) | Reel Width W1 (mm) | A0 (mm) | B0 (mm) | K0 (mm) | P1 (mm) | W (mm) | Pin1 Quadrant |
|-----------------|------------------|-----------------|------|------|--------------------|--------------------|---------|---------|---------|---------|--------|---------------|
| TL750L05CDR | SOIC | D | 8 | 2500 | 330.0 | 12.4 | 6.4 | 5.2 | 2.1 | 8.0 | 12.0 | Q1 |
| TL750L05CKTTR | DDPAK/ TO-263 | KTT | 3 | 500 | 330.0 | 24.4 | 10.8 | 16.1 | 4.9 | 16.0 | 24.0 | Q2 |
| TL750L05CKTTR | DDPAK/ TO-263 | KTT | 3 | 500 | 330.0 | 24.4 | 10.8 | 16.3 | 5.11 | 16.0 | 24.0 | Q2 |
| TL750L05CKVURG3 | TO-252 | KVU | 3 | 2500 | 330.0 | 16.4 | 6.9 | 10.5 | 2.7 | 8.0 | 16.0 | Q2 |
| TL750L08CDR | SOIC | D | 8 | 2500 | 330.0 | 12.4 | 6.4 | 5.2 | 2.1 | 8.0 | 12.0 | Q1 |
| TL750L10CDR | SOIC | D | 8 | 2500 | 330.0 | 12.4 | 6.4 | 5.2 | 2.1 | 8.0 | 12.0 | Q1 |
| TL750L12CDR | SOIC | D | 8 | 2500 | 330.0 | 12.4 | 6.4 | 5.2 | 2.1 | 8.0 | 12.0 | Q1 |
| TL751L05CDR | SOIC | D | 8 | 2500 | 330.0 | 12.4 | 6.4 | 5.2 | 2.1 | 8.0 | 12.0 | Q1 |
| TL751L10CDR | SOIC | D | 8 | 2500 | 330.0 | 12.4 | 6.4 | 5.2 | 2.1 | 8.0 | 12.0 | Q1 |
| TL751L12CDR | SOIC | D | 8 | 2500 | 330.0 | 12.4 | 6.4 | 5.2 | 2.1 | 8.0 | 12.0 | Q1 |

TAPE AND REEL BOX DIMENSIONS

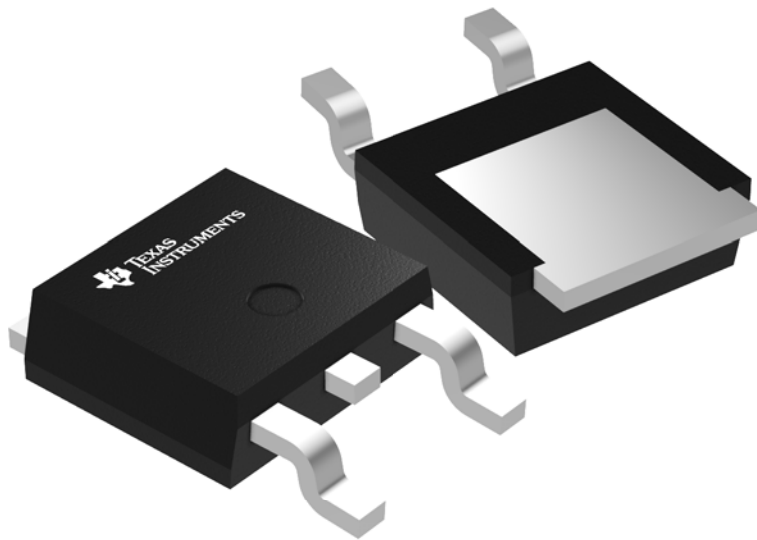

*All dimensions are nominal

| Device | Package Type | Package Drawing | Pins | SPQ | Length (mm) | Width (mm) | Height (mm) |
|-----------------|--------------|-----------------|------|------|-------------|------------|-------------|
| TL750L05CDR | SOIC | D | 8 | 2500 | 340.5 | 336.1 | 25.0 |
| TL750L05CKTTR | DDPAK/TO-263 | KTT | 3 | 500 | 350.0 | 334.0 | 47.0 |
| TL750L05CKTTR | DDPAK/TO-263 | KTT | 3 | 500 | 340.0 | 340.0 | 38.0 |
| TL750L05CKVURG3 | TO-252 | KVU | 3 | 2500 | 340.0 | 340.0 | 38.0 |
| TL750L08CDR | SOIC | D | 8 | 2500 | 340.5 | 336.1 | 25.0 |
| TL750L10CDR | SOIC | D | 8 | 2500 | 340.5 | 336.1 | 25.0 |
| TL750L12CDR | SOIC | D | 8 | 2500 | 340.5 | 336.1 | 25.0 |
| TL751L05CDR | SOIC | D | 8 | 2500 | 340.5 | 336.1 | 25.0 |
| TL751L10CDR | SOIC | D | 8 | 2500 | 340.5 | 336.1 | 25.0 |
| TL751L12CDR | SOIC | D | 8 | 2500 | 340.5 | 336.1 | 25.0 |

TUBE


*All dimensions are nominal

| Device | Package Name | Package Type | Pins | SPQ | L (mm) | W (mm) | T (μm) | B (mm) |
|----------------|--------------|--------------|------|-----|--------|--------|--------|--------|
| TL750L05CD | D | SOIC | 8 | 75 | 507 | 8 | 3940 | 4.32 |
| TL750L05CKCS | KCS | TO-220 | 3 | 50 | 532 | 34.1 | 700 | 9.6 |
| TL750L05CKCSE3 | KCS | TO-220 | 3 | 50 | 532 | 34.1 | 700 | 9.6 |
| TL750L08CD | D | SOIC | 8 | 75 | 507 | 8 | 3940 | 4.32 |
| TL750L10CD | D | SOIC | 8 | 75 | 507 | 8 | 3940 | 4.32 |
| TL750L12CD | D | SOIC | 8 | 75 | 507 | 8 | 3940 | 4.32 |
| TL751L05CD | D | SOIC | 8 | 75 | 507 | 8 | 3940 | 4.32 |
| TL751L05CDE4 | D | SOIC | 8 | 75 | 507 | 8 | 3940 | 4.32 |
| TL751L05CDG4 | D | SOIC | 8 | 75 | 507 | 8 | 3940 | 4.32 |
| TL751L10CD | D | SOIC | 8 | 75 | 507 | 8 | 3940 | 4.32 |
| TL751L10CP | P | PDIP | 8 | 50 | 506 | 13.97 | 11230 | 4.32 |
| TL751L12CD | D | SOIC | 8 | 75 | 507 | 8 | 3940 | 4.32 |



Images above are just a representation of the package family, actual package may vary.
Refer to the product data sheet for package details.

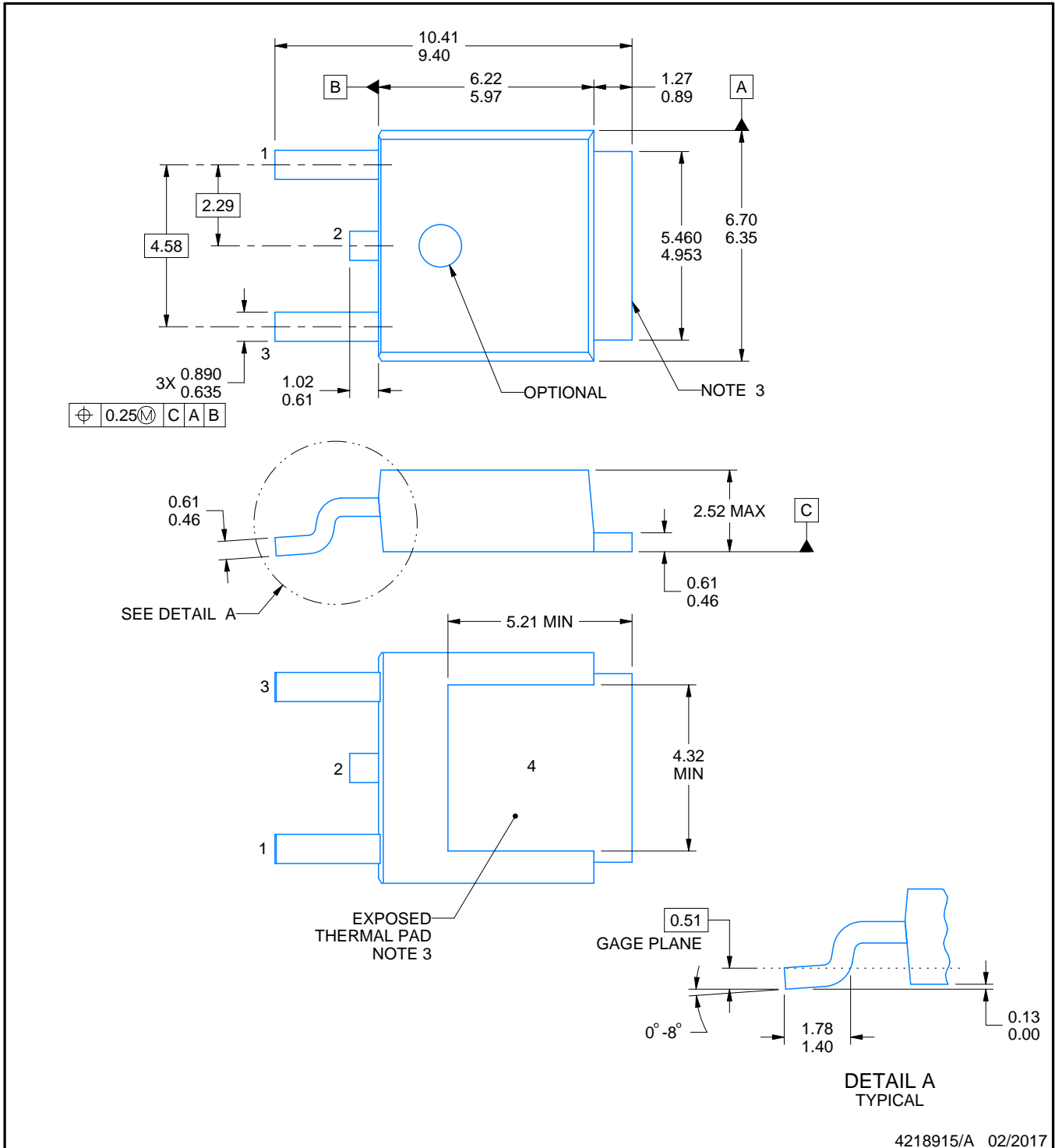


PACKAGE OUTLINE

KVVU0003A

TO-252 - 2.52 mm max height

TO-252



4218915/A 02/2017

NOTES:

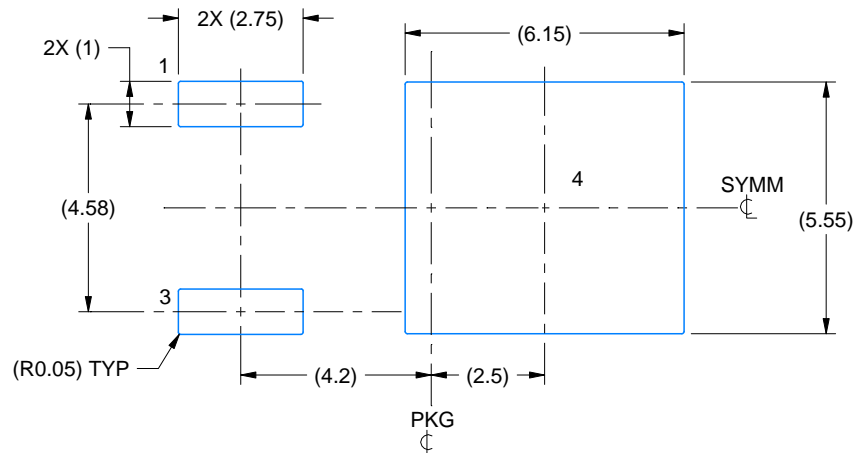
1. All linear dimensions are in millimeters. Any dimensions in parenthesis are for reference only. Dimensioning and tolerancing per ASME Y14.5M.
2. This drawing is subject to change without notice.
3. Shape may vary per different assembly sites.
4. Reference JEDEC registration TO-252.

EXAMPLE BOARD LAYOUT

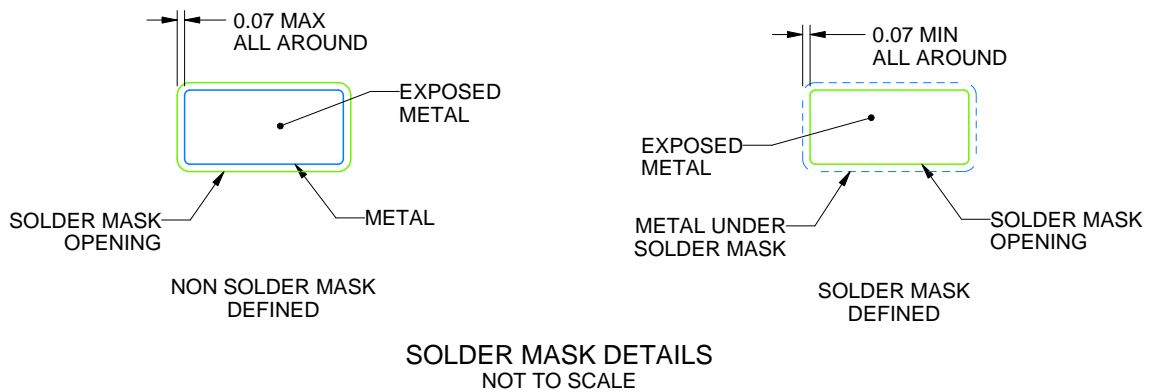
KVU0003A

TO-252 - 2.52 mm max height

TO-252



LAND PATTERN EXAMPLE
EXPOSED METAL SHOWN
SCALE:6X



SOLDER MASK DETAILS
NOT TO SCALE

4218915/A 02/2017

NOTES: (continued)

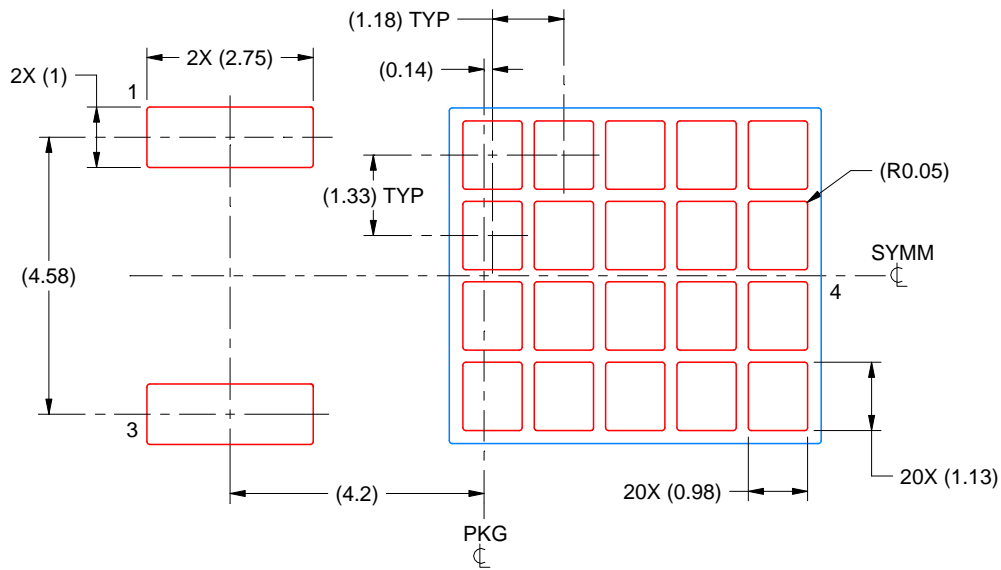
5. This package is designed to be soldered to a thermal pad on the board. For more information, see Texas Instruments literature numbers SLMA002 (www.ti.com/lit/slm002) and SLMA004 (www.ti.com/lit/slma004).
6. Vias are optional depending on application, refer to device data sheet. It is recommended that vias under paste be filled, plugged or tented.

EXAMPLE STENCIL DESIGN

KVU0003A

TO-252 - 2.52 mm max height

TO-252



SOLDER PASTE EXAMPLE
BASED ON 0.125 mm THICK STENCIL

EXPOSED PAD
65% PRINTED SOLDER COVERAGE BY AREA
SCALE:8X

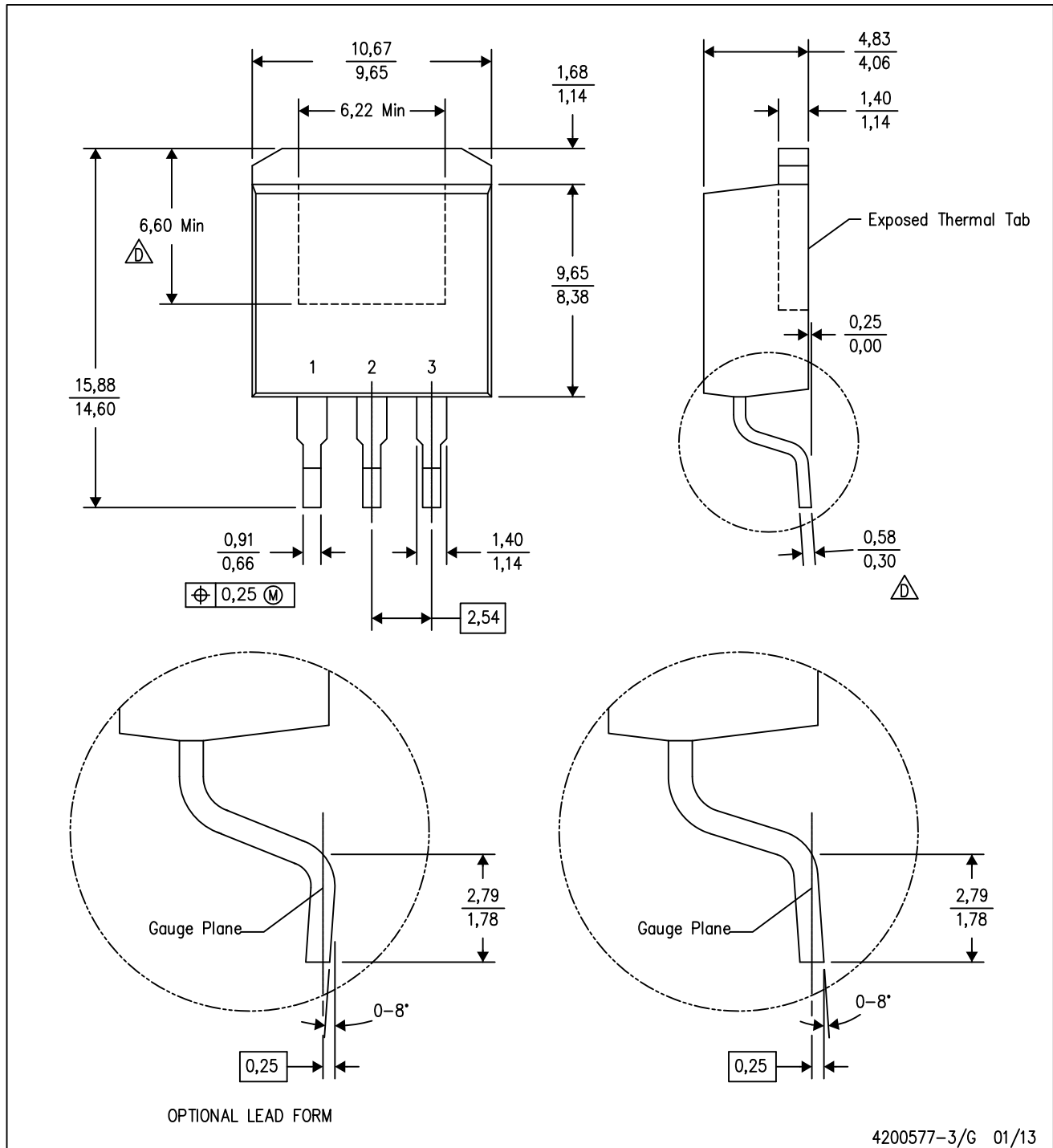
4218915/A 02/2017

NOTES: (continued)

7. Laser cutting apertures with trapezoidal walls and rounded corners may offer better paste release. IPC-7525 may have alternate design recommendations.
8. Board assembly site may have different recommendations for stencil design.

KTT (R-PSFM-G3)

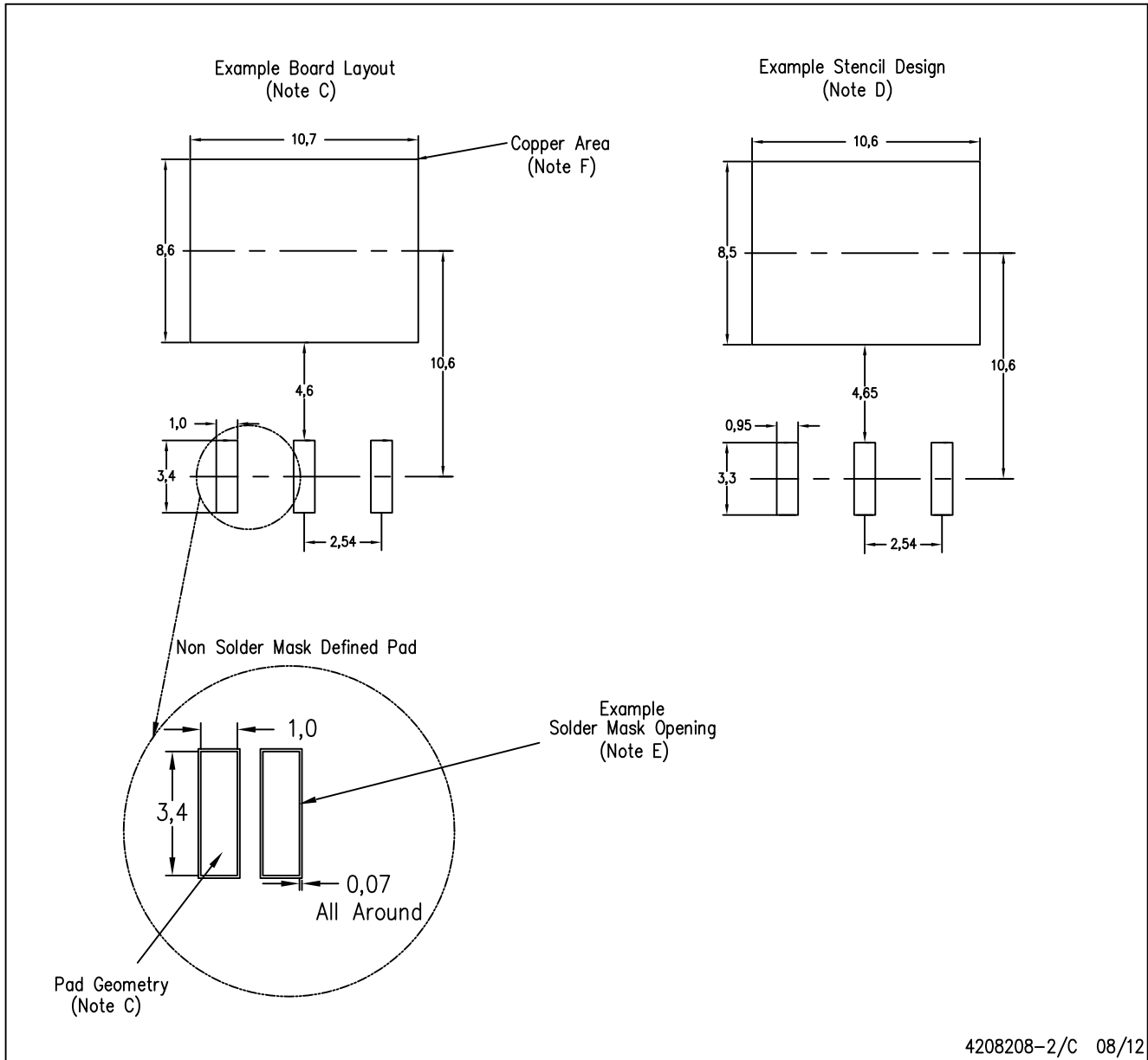
PLASTIC FLANGE-MOUNT PACKAGE



- NOTES:
- A. All linear dimensions are in millimeters.
 - B. This drawing is subject to change without notice.
 - C. Body dimensions do not include mold flash or protrusion. Mold flash or protrusion not to exceed 0.005 (0,13) per side.
- \triangle Falls within JEDEC TO-263 variation AA, except minimum lead thickness and minimum exposed pad length.

KTT (R-PSFM-G3)

PLASTIC FLANGE-MOUNT PACKAGE



- NOTES:
- All linear dimensions are in millimeters.
 - This drawing is subject to change without notice.
 - Publication IPC-SM-782 is recommended for alternate designs.
 - Laser cutting apertures with trapezoidal walls and also rounding corners will offer better paste release. Customers should contact their board assembly site for stencil design recommendations. Refer to IPC-7525.
 - Customers should contact their board fabrication site for solder mask tolerances between and around signal pads.
 - This package is designed to be soldered to a thermal pad on the board. Refer to the Product Datasheet for specific thermal information, via requirements, and recommended thermal pad size. For thermal pad sizes larger than shown a solder mask defined pad is recommended in order to maintain the solderable pad geometry while increasing copper area.



D0008A

PACKAGE OUTLINE

SOIC - 1.75 mm max height

SMALL OUTLINE INTEGRATED CIRCUIT



4214825/C 02/2019

NOTES:

- Linear dimensions are in inches [millimeters]. Dimensions in parenthesis are for reference only. Controlling dimensions are in inches. Dimensioning and tolerancing per ASME Y14.5M.
- This drawing is subject to change without notice.
- This dimension does not include mold flash, protrusions, or gate burrs. Mold flash, protrusions, or gate burrs shall not exceed .006 [0.15] per side.
- This dimension does not include interlead flash.
- Reference JEDEC registration MS-012, variation AA.

EXAMPLE BOARD LAYOUT

D0008A

SOIC - 1.75 mm max height

SMALL OUTLINE INTEGRATED CIRCUIT



LAND PATTERN EXAMPLE
EXPOSED METAL SHOWN
SCALE:8X



SOLDER MASK DETAILS

4214825/C 02/2019

NOTES: (continued)

6. Publication IPC-7351 may have alternate designs.

7. Solder mask tolerances between and around signal pads can vary based on board fabrication site.

EXAMPLE STENCIL DESIGN

D0008A

SOIC - 1.75 mm max height

SMALL OUTLINE INTEGRATED CIRCUIT



SOLDER PASTE EXAMPLE
BASED ON .005 INCH [0.125 MM] THICK STENCIL
SCALE:8X

4214825/C 02/2019

NOTES: (continued)

8. Laser cutting apertures with trapezoidal walls and rounded corners may offer better paste release. IPC-7525 may have alternate design recommendations.
9. Board assembly site may have different recommendations for stencil design.

P (R-PDIP-T8)

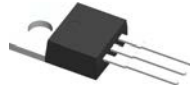
PLASTIC DUAL-IN-LINE PACKAGE



4040082/E 04/2010

- NOTES:
- A. All linear dimensions are in inches (millimeters).
 - B. This drawing is subject to change without notice.
 - C. Falls within JEDEC MS-001 variation BA.

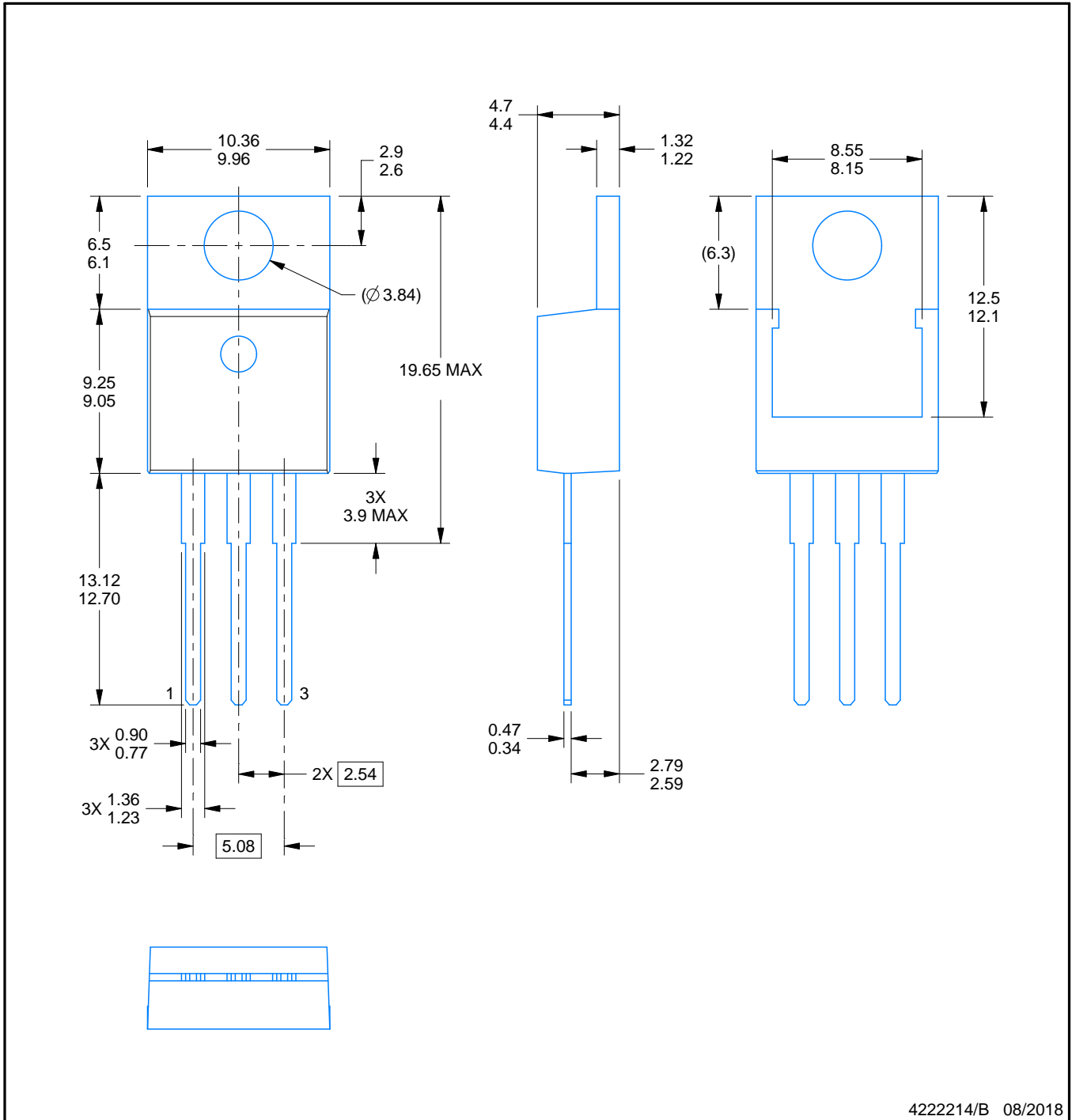
KCS0003B



PACKAGE OUTLINE

TO-220 - 19.65 mm max height

TO-220



422214/B 08/2018

NOTES:

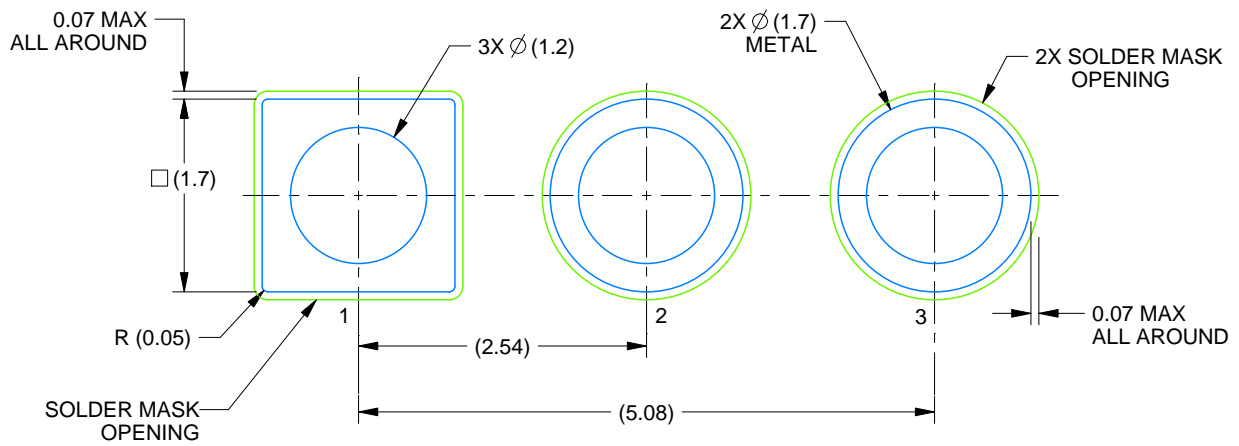
1. Dimensions are in millimeters. Any dimension in brackets or parenthesis are for reference only. Dimensioning and tolerancing per ASME Y14.5M.
2. This drawing is subject to change without notice.
3. Reference JEDEC registration TO-220.

EXAMPLE BOARD LAYOUT

KCS0003B

TO-220 - 19.65 mm max height

TO-220



LAND PATTERN EXAMPLE
NON-SOLDER MASK DEFINED
SCALE:15X

4222214/B 08/2018

GENERIC PACKAGE VIEW

LP 3

TO-92 - 5.34 mm max height

TRANSISTOR OUTLINE



Images above are just a representation of the package family, actual package may vary.
Refer to the product data sheet for package details.

4040001-2/F

LP0003A



PACKAGE OUTLINE

TO-92 - 5.34 mm max height

TO-92



4215214/B 04/2017

NOTES:

1. All linear dimensions are in millimeters. Any dimensions in parenthesis are for reference only. Dimensioning and tolerancing per ASME Y14.5M.
2. This drawing is subject to change without notice.
3. Lead dimensions are not controlled within this area.
4. Reference JEDEC TO-226, variation AA.
5. Shipping method:
 - a. Straight lead option available in bulk pack only.
 - b. Formed lead option available in tape and reel or ammo pack.
 - c. Specific products can be offered in limited combinations of shipping medium and lead options.
 - d. Consult product folder for more information on available options.



LAND PATTERN EXAMPLE
STRAIGHT LEAD OPTION
NON-SOLDER MASK DEFINED
SCALE:15X



LAND PATTERN EXAMPLE
FORMED LEAD OPTION
NON-SOLDER MASK DEFINED
SCALE:15X

TAPE SPECIFICATIONS

LP0003A

TO-92 - 5.34 mm max height

TO-92



FOR FORMED LEAD OPTION PACKAGE

4215214/B 04/2017

IMPORTANT NOTICE AND DISCLAIMER

TI PROVIDES TECHNICAL AND RELIABILITY DATA (INCLUDING DATA SHEETS), DESIGN RESOURCES (INCLUDING REFERENCE DESIGNS), APPLICATION OR OTHER DESIGN ADVICE, WEB TOOLS, SAFETY INFORMATION, AND OTHER RESOURCES "AS IS" AND WITH ALL FAULTS, AND DISCLAIMS ALL WARRANTIES, EXPRESS AND IMPLIED, INCLUDING WITHOUT LIMITATION ANY IMPLIED WARRANTIES OF MERCHANTABILITY, FITNESS FOR A PARTICULAR PURPOSE OR NON-INFRINGEMENT OF THIRD PARTY INTELLECTUAL PROPERTY RIGHTS.

These resources are intended for skilled developers designing with TI products. You are solely responsible for (1) selecting the appropriate TI products for your application, (2) designing, validating and testing your application, and (3) ensuring your application meets applicable standards, and any other safety, security, regulatory or other requirements.

These resources are subject to change without notice. TI grants you permission to use these resources only for development of an application that uses the TI products described in the resource. Other reproduction and display of these resources is prohibited. No license is granted to any other TI intellectual property right or to any third party intellectual property right. TI disclaims responsibility for, and you will fully indemnify TI and its representatives against, any claims, damages, costs, losses, and liabilities arising out of your use of these resources.

TI's products are provided subject to [TI's Terms of Sale](#) or other applicable terms available either on ti.com or provided in conjunction with such TI products. TI's provision of these resources does not expand or otherwise alter TI's applicable warranties or warranty disclaimers for TI products.

TI objects to and rejects any additional or different terms you may have proposed.

Mailing Address: Texas Instruments, Post Office Box 655303, Dallas, Texas 75265
Copyright © 2022, Texas Instruments Incorporated