

TLC6984 48 个电流源、64 次扫描、共阴极矩阵 LED 显示驱动器

1 特性

- 支持分立式 V_{CC} 和 $V_{R/G/B}$ 电源
 - V_{CC} 电压范围：2.5 V 至 5.5 V
 - $V_{R/G/B}$ 电压范围：2.5 V 至 5.5 V
- 48 个电流源通道，范围从 0.2 mA 到 20 mA
 - 通道间精度： $\pm 0.5\%$ (典型值)， $\pm 2\%$ (最大值)；器件间一致性： $\pm 0.5\%$ (典型值)， $\pm 2\%$ (最大值)
 - 低拐点电压：当 $I_{OUT} = 5 \text{ mA}$ 时为 0.26V (最大值)
 - 3 位 (8 级) 全局亮度控制
 - 8 位 (256 级) 色彩亮度控制
 - 最大 16 位 (65536 级) PWM 灰度控制
- 带 $190 \text{ m}\Omega$ $R_{DS(ON)}$ 的 16 个扫描线开关
- 超低功耗
 - 低至 2.5V 的独立 V_{CC}
 - 超低 I_{CC} (低至 3.6 mA)，具有 50 MHz GCLK
 - 智能省电模式， I_{CC} 低至 0.9 mA
- 内置 SRAM 支持 1 至 64 路复用
 - 支持 16 路复用的单个器件可驱动 48×16 LED 或 16×16 RGB 像素
 - 支持 32 路复用的两个器件堆叠后可驱动 96×32 LED 或 32×32 RGB 像素
 - 三个可堆叠 48 路复用器件，支持 144×48 LED 或 48×48 RGB 像素
 - 四个可堆叠 64 路复用器件，支持 192×64 LED 或 64×64 RGB 像素
- 高速和低 EMI 连续时钟串行接口 (CCSI)
 - 仅三条总线：SCLK/SIN/SOUT
 - 具有双沿传输机制的外部 25MHz (最大值)
 - SCLK (内部 50MHz)

- 支持高 GCLK 频率的内部倍频器
- 优化的显示性能
 - 可编程的扫描线序列
 - 去除上下重影
 - 低灰度增强
 - 检测和消除 LED 开路、短路和弱短路

2 应用

- 窄像素间距 (NPP) LED 显示屏
- Mini/Micro-LED 产品

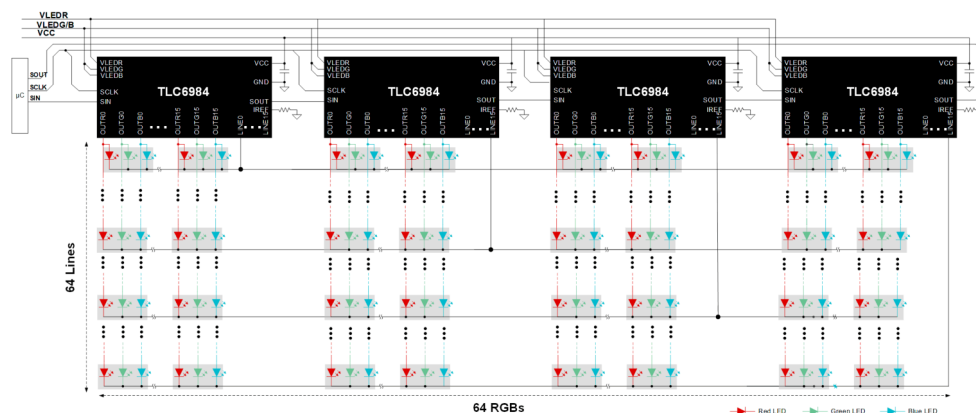
3 说明

随着窄像素间距 LED 显示屏或 Mini/Micro-LED 产品的像素密度不断提高，我们迫切需要使用 LED 驱动器来应对各种关键挑战。这些挑战包括通过超高集成度满足严格的布板空间限制条件，通过超低功耗最大限度地降低系统级功耗，通过全新的接口实现高数据刷新率并减少 EMI 带来的影响，以及通过出色的显示性能满足不断增长的对更高显示质量的需求。

器件信息

| 器件型号 | 封装 ⁽¹⁾ | 封装尺寸 (标称值) |
|---------|-------------------|-----------------|
| TLC6984 | VQFN (76) | 9.00mm x 9.00mm |
| | BGA (96) | 6.00mm x 6.00mm |

(1) 如需了解所有可用封装，请参阅数据表末尾的可订购产品附录。



具备四器件可堆叠连接的 TLC6984



Table of Contents

| | | | |
|--|----|--|----|
| 1 特性 | 1 | 8.5 Continuous Clock Series Interface..... | 27 |
| 2 应用 | 1 | 8.6 PWM Grayscale Control..... | 33 |
| 3 说明 | 1 | 8.7 Register Maps..... | 36 |
| 4 Revision History | 2 | 9 Application and Implementation | 52 |
| 5 说明 (续) | 3 | 9.1 Application Information..... | 52 |
| 6 Pin Configuration and Functions | 4 | 9.2 Typical Application..... | 52 |
| 7 Specifications | 6 | 10 Power Supply Recommendations | 60 |
| 7.1 Absolute Maximum Ratings..... | 6 | 11 Layout | 61 |
| 7.2 ESD Ratings..... | 6 | 11.1 Layout Guidelines..... | 61 |
| 7.3 Recommended Operating Conditions..... | 6 | 11.2 Layout Example..... | 61 |
| 7.4 Thermal Information..... | 6 | 12 Device and Documentation Support | 65 |
| 7.5 Electrical Characteristics..... | 7 | 12.1 Documentation Support..... | 65 |
| 7.6 Timing Requirements..... | 10 | 12.2 接收文档更新通知..... | 65 |
| 7.7 Switching Characteristics..... | 10 | 12.3 支持资源..... | 65 |
| 7.8 Typical Characteristics..... | 11 | 12.4 Trademarks..... | 65 |
| 8 Detailed Description | 13 | 12.5 Electrostatic Discharge Caution..... | 65 |
| 8.1 Overview..... | 13 | 12.6 术语表..... | 65 |
| 8.2 Functional Block Diagram..... | 14 | 13 Mechanical, Packaging, and Orderable Information | 66 |
| 8.3 Feature Description..... | 14 | | |
| 8.4 Device Functional Modes..... | 26 | | |

4 Revision History

注：以前版本的页码可能与当前版本的页码不同

| Changes from Revision C (March 2022) to Revision D (July 2022) | Page |
|--|-------------|
| • 通篇更新了 BGA 封装信息..... | 1 |
| • Changed the description of FREQ_MOD..... | 37 |
| • Changed the name of register field..... | 43 |
| Changes from Revision B (March 2022) to Revision C (March 2022) | Page |
| • 更新了 <i>特性</i> 和 <i>说明 (续)</i> 部分中的 GCLK 说明..... | 1 |
| Changes from Revision A (December 2021) to Revision B (March 2022) | Page |
| • 将数据表状态从“预告信息”更改为“量产数据”..... | 1 |
| Changes from Revision * (November 2021) to Revision A (December 2021) | Page |
| • 首次公开发布的数据表..... | 1 |

5 说明 (续)

TLC6984 是高度集成的共阴极矩阵 LED 显示驱动器，具有 48 个恒流源和 16 个扫描 FET。除了像 TLC6983 一样驱动 16×16 和 32×32 RGB LED 像素，三个 TLC6984 还能够驱动 48×48 RGB LED 像素，堆叠四个 TLC6984 则可以驱动 64×64 RGB LED 像素。为实现低功耗，该器件可通过其共阴极结构为红色、绿色和蓝色 LED 提供分立式电源。此外，通过超低的工作电压范围 (V_{CC} 低至 2.5V) 和超低的工作电流 (I_{CC} 低至 3.6mA)，TLC6984 可显著降低运行功率。

TLC6984 实现了一个高速双沿传输接口，可支持高器件数菊花链和高刷新率，同时尽可能降低电磁干扰 (EMI)。该器件支持高达 25 MHz 的 SCLK (外部) 和 40 MHz 至 160 MHz 的 GCLK (内部典型值)，并具有不同的 GCLK 乘法器模式和频率。同时，该器件集成了增强电路和智能算法，能够应对窄像素间距 (NPP) LED 显示应用和 Mini/Micro-LED 产品中的各种显示挑战。这些挑战包括 LED 开路或短路引起的第一个扫描线过暗、上下重影、低灰度不均匀、耦合以及毛虫问题 (Caterpillar)，因此 TLC6984 是此类应用的理想选择。

TLC6984 还可以在运行期间实现 LED 开路、弱短路和短路检测和消除，并可以将这些信息报告给配套的数字处理器。

6 Pin Configuration and Functions

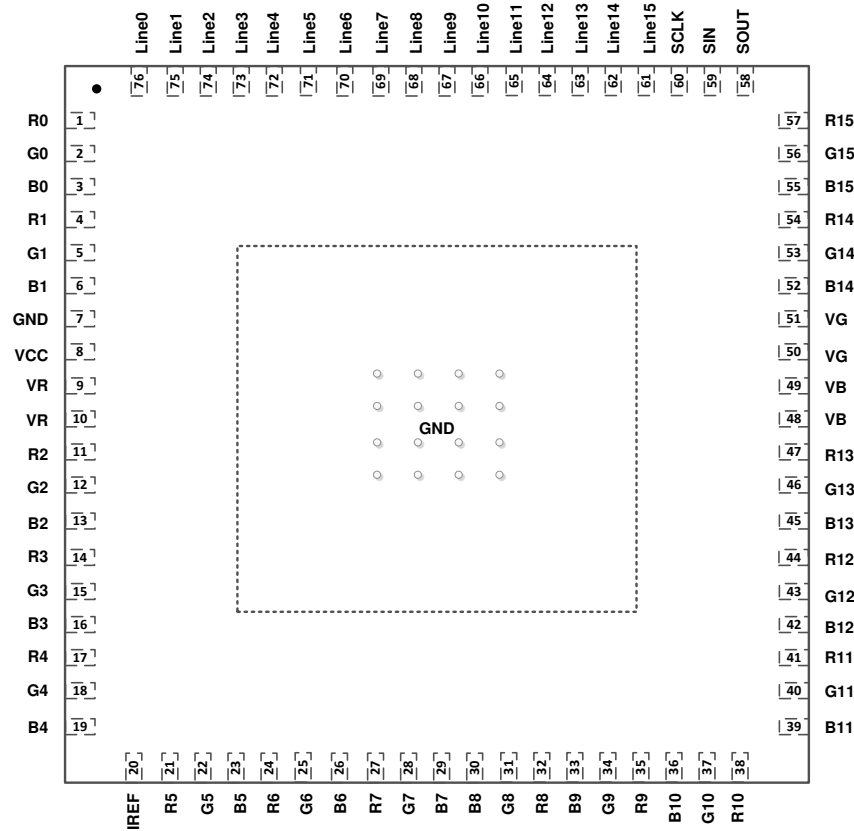


图 6-1. TLC6984 RRF Package 76-Pin VQFN With Exposed Thermal Pad Top View

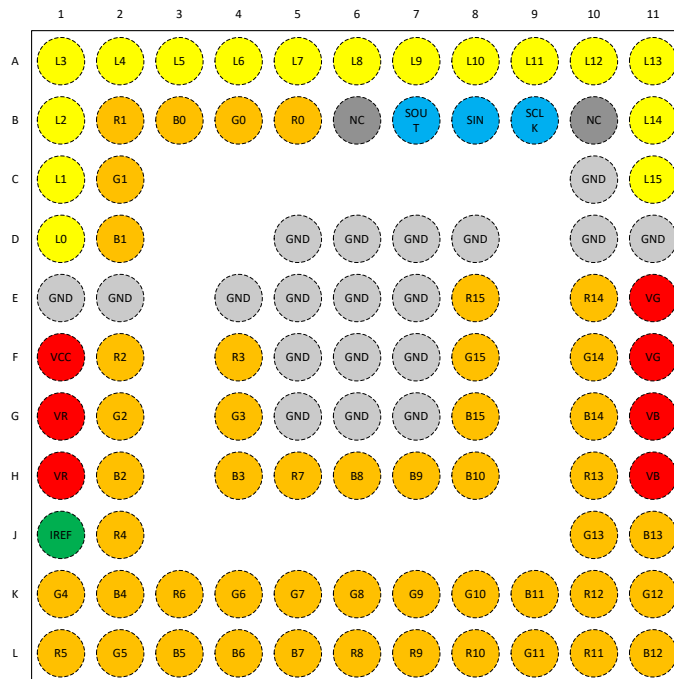


图 6-2. TLC6984 ZXL Package 96-Pin BGA Top View

表 6-1. Pin Functions

| PIN | | | I/O | DESCRIPTION |
|--------------|--|---|-----|---|
| NAME | RRF NO. | ZXL NO. | | |
| IREF | 20 | J1 | I | Pin for setting the maximum constant-current value. Connecting an external resistor between IREF and GND sets the maximum current for each constant-current output channel. When this pin is connected directly to GND, all outputs are forced off. The external resistor must be placed close to the device. |
| VCC | 8 | F1 | I | Device power supply |
| VR | 9, 10 | G1, H1 | I | Red LED power supply |
| VG | 51, 50 | E11, F11 | I | Green LED power supply |
| VB | 49, 48 | G11, H11 | I | Blue LED power supply |
| R0-R15 | 1, 4, 11, 14, 17, 21, 24, 27, 32, 35, 38, 41, 44, 47, 54, 57 | B5, B2, F2, F4, J2, L1, K3, H5, L6, L7, L8, L10, K10, H10, E10, E8 | O | Red LED constant-current output |
| G0-G15 | 2, 5, 12, 15, 18, 22, 25, 28, 31, 34, 37, 40, 43, 46, 53, 56 | B4, C2, G2, G4, K1, L2, K4, K5, K6, K7, K8, L9, K11, J10, F10, F8 | O | Green LED constant-current output |
| B0-B15 | 3, 6, 13, 16, 19, 23, 26, 29, 30, 33, 36, 39, 42, 45, 52, 55 | B3, D2, H2, H4, K2, L3, L4, L5, H6, H7, H8, K9, L11, J11, G10, G8 | O | Blue LED constant-current output |
| LINE0-LINE15 | 76, 75, 74, 73, 72, 71, 70, 69, 68, 67, 66, 65, 64, 63, 62, 61 | D1, C1, B1, A1, A2, A3, A4, A5, A6, A7, A8, A9, A10, A11, B11, C11 | O | Scan lines |
| SCLK | 60 | B9 | I | Clock-signal input pin |
| SIN | 59 | B8 | I | Serial-data input pin |
| SOUT | 58 | B7 | O | Serial data output pin |
| GND | 7 | C10, E1, E2, D5, D6, D7, D8, D10, D11, E1, E2, E4, E5, E6, E7, F5, F6, F7, G5, G6, G7 | — | Power-ground reference |
| Thermal pad | — | — | — | The thermal pad and the GND pin must be connected together on the board. |

7 Specifications

7.1 Absolute Maximum Ratings

over operating free-air temperature range (unless otherwise noted)⁽¹⁾

| | | MIN | MAX | UNIT |
|--|------------------------------|-------|-----|------|
| Voltage | VCC | - 0.3 | 6 | V |
| | VR/G/B | - 0.3 | 6 | V |
| | IREF, SCLK, SIN, SOUT, VSYNC | - 0.3 | 6 | V |
| | RX/GX/BX | - 0.3 | 6 | V |
| | LINE0 to LINE15 | - 0.3 | 6 | V |
| Operating junction temperature, T _J | | - 40 | 150 | °C |
| Storage temperature, T _{stg} | | - 55 | 150 | °C |

- (1) Operation outside the Absolute Maximum Ratings may cause permanent device damage. Absolute Maximum Ratings do not imply functional operation of the device at these or any other conditions beyond those listed under Recommended Operating Conditions. If used outside the Recommended Operating Conditions but within the Absolute Maximum Ratings, the device may not be fully functional, and this may affect device reliability, functionality, performance, and shorten the device lifetime.

7.2 ESD Ratings

| | | VALUE | UNIT |
|--|---|-------|------|
| V _(ESD) Electrostatic discharge | Human body model (HBM), per ANSI/ESDA/JEDEC JS-001 ⁽¹⁾ | ±4000 | V |
| | Charged device model (CDM), per ANSI/ESDA/JEDEC JS-002 ⁽²⁾ | ±1000 | |

- (1) JEDEC document JEP155 states that 500-V HBM allows safe manufacturing with a standard ESD control process.
 (2) JEDEC document JEP157 states that 250-V CDM allows safe manufacturing with a standard ESD control process.

7.3 Recommended Operating Conditions

over operating free-air temperature range (unless otherwise noted)

| | | MIN | NOM | MAX | UNIT |
|-------------------|---|-----------|-----------|-----|------|
| VCC | Device supply voltage | 2.5 | | 5.5 | V |
| VLEDR/G/B | LED supply voltage | 2.5 | | 5.5 | V |
| V _{IH} | High level logic input voltage (SCLK, SIN, VSYNC) | 0.7 × VCC | | | V |
| V _{IL} | Low level logic input voltage (SCLK, SIN, VSYNC) | | 0.3 × VCC | | V |
| I _{OH} | High level logic output current (SOUT) | | | - 2 | mA |
| I _{OL} | Low level logic output current (SOUT) | | | 2 | mA |
| I _{CH} | Constant output source current | 0.2 | | 20 | mA |
| I _{LINE} | Line scan switch load current | 0 | | 2 | A |
| T _A | Ambient operating temperature | - 40 | | 85 | °C |

7.4 Thermal Information

| THERMAL METRIC ⁽¹⁾ | | TLC6984 | | UNIT |
|-------------------------------|--|------------|-----------|------|
| | | RRF (VQFN) | ZXL (BGA) | |
| | | 76 PINS | 96 PINS | |
| R _{θJA} | Junction-to-ambient thermal resistance | 22.2 | 33.5 | °C/W |
| R _{θJC(top)} | Junction-to-case (top) thermal resistance | 10.7 | 18.6 | °C/W |
| R _{θJB} | Junction-to-board thermal resistance | 7.2 | 11.7 | °C/W |
| ψ _{JT} | Junction-to-top characterization parameter | 0.1 | 0.3 | °C/W |
| ψ _{JB} | Junction-to-board characterization parameter | 7.1 | 11.6 | °C/W |
| R _{θJC(bot)} | Junction-to-case (bottom) thermal resistance | 1.7 | | °C/W |

- (1) For more information about traditional and new thermal metrics, see the [Semiconductor and IC Package Thermal Metrics](#) application report.

7.5 Electrical Characteristics

At VCC = VR = 2.8 V, VG/B = 3.8 V and TA = -40°C to +85°C; Typical values are at TA = 25°C (unless otherwise specified)

| PARAMETER | TEST CONDITIONS | MIN | TYP | MAX | UNIT |
|---------------------|--|--|-----------|-----|------|
| VCC | Device supply voltage | 2.5 | | 5.5 | V |
| VUVR | Undervoltage restart | | | 2.3 | V |
| VUVF | Undervoltage shutdown | 2.0 | | | V |
| VUV(HYS) | Undervoltage shutdown hysteresis | | 0.1 | | V |
| ICC | Device supply current | SCLK/SIN = 10 MHz, MPSPM_EN = 1bit, Matrix PSM enable, internal GCLK off, GSn = 0000h, BC = 2h, CCR/G/B = 63h, PS_EN = 1h, VOUTn = floating, RIREF = 7.8 kΩ (In intelligent power save mode) | 0.9 | | mA |
| | | SCLK/SIN = 10 MHz, Standby enable, internal GCLK off, GSn = 0000h, BC = 2h, CCR/G/B = 63h, PS_EN = 1h, VOUTn = floating, RIREF = 7.8 kΩ (In intelligent power save mode) | 0.9 | | mA |
| | | SCLK/SIN = 10 MHz, PSP_MOD = 1bit, internal GCLK=50MHz, GSn = 0000h, BC = 2h, CCR/G/B = 63h, PS_EN = 1h, VOUTn = floating, RIREF = 7.8 kΩ (In power save mode) | 3.6 | | mA |
| | | SCLK = 10 MHz, internal GCLK = 50 MHz, GSn = 1FFFh, BC = 2h, CCR/G/B = 63h, VOUTn = floating, RIREF = 7.8 kΩ, ICH = 2 mA | 3.6 | | mA |
| | | SCLK = 10 MHz, internal GCLK = 100 MHz, GSn = 1FFFh, BC = 2h, CCR/G/B = 63h, VOUTn = floating, RIREF = 7.8 kΩ, ICH = 2 mA | 4.9 | | mA |
| VR/G/B | LED supply voltage | 2.5 | | 5.5 | V |
| V _{IH} | High level input voltage (SCLK, SIN) | 0.7 × VCC | | | V |
| V _{IL} | Low level input voltage (SCLK, SIN) | | 0.3 × VCC | | V |
| V _{OH} | High level output voltage (SOUT) | IOH = -2 mA at SOUT | | VCC | V |
| V _{OL} | Low level output voltage (SOUT) | IOL = 2 mA at SOUT | | 0.4 | V |
| I _{LOGIC} | Logic pin current (SCLK, SIN) | SCLK/SIN = VCC or GND | -1 | 1 | uA |
| R _{DS(ON)} | Scan switches' on-state resistance (LINE0 to LINE15) | VCC = 2.8 V, TA = 25°C | 190 | | mΩ |
| V _{IREF} | Reference voltage | SCLK/SIN = GND, internal GCLK = 0MHz, GSn = 0000h, BC = 2h, CCR/G/B = 63h, VOUTn = floating, RIREF = 7.8 kΩ | 0.8 | | V |

7.5 Electrical Characteristics (continued)

At VCC = VR = 2.8 V, VG/B = 3.8 V and TA = -40°C to +85°C; Typical values are at TA = 25°C (unless otherwise specified)

| PARAMETER | TEST CONDITIONS | MIN | TYP | MAX | UNIT |
|-----------|---|--|------|------|------|
| VKNEE | Channel knee voltage (R0-R15 / G0-G15 / B0-B15) | VLEDR/G/B ≥ 2.8 V, all channel outputs on, output current at 1 mA | | 0.25 | V |
| | | VLEDR/G/B ≥ 2.8 V, all channel outputs on, output current at 5 mA | | 0.26 | V |
| | | VLEDR/G/B ≥ 2.8 V, all channel outputs on, output current at 10 mA | | 0.3 | V |
| | | VLEDR/G/B ≥ 2.8 V, IMAX = 1b, all channel outputs on, output current at 15 mA | | 0.37 | V |
| | | VLEDR/G/B ≥ 2.8 V, IMAX=1b, all channel outputs on, output current at 20 mA | | 0.41 | V |
| ICH(LKG) | Channel leakage current (R0-R15 / G0-G15 / B0-B15) | Channel voltage at 0 V | | 1 | uA |
| ΔIERR(CC) | Constant-current channel to channel deviation (R0-R15 / G0-G15 / B0-B15) ⁽¹⁾ | All CHn = on, BC = 00h, CC = 31h, VOUTn = (VLED-1)V, RIREF = 19.05 kΩ (ICH = 0.2-mA target), TA = 25°C, includes the VIREF tolerance, at same color grouped outputs of R0-R15 / G0-G15 / B0-B15 | ±1 | ±2.5 | % |
| | | All CHn = on, BC = 00h, CC = 7Dh, VOUTn = (VLED-1)V, RIREF = 19.05 kΩ (ICH = 0.5-mA target), TA = 25°C, includes the VIREF tolerance, at same color grouped outputs of R0-R15 / G0-G15 / B0-B15 | ±0.5 | ±1.5 | % |
| | | All CHn = on, BC = 00h, CC = FBh, VOUTn = (VLED-1)V, RIREF = 19.05 kΩ (ICH = 1-mA target), TA = 25°C, includes the VIREF tolerance, at same color grouped outputs of R0-R15 / G0-G15 / B0-B15 | ±0.5 | ±1.5 | % |
| | | All CHn = on, BC = 2h, CC = FBh, VOUTn = (VLED-1)V, RIREF = 7.8 kΩ (ICH = 5-mA target), TA = 25°C, includes the VIREF tolerance, at same color grouped outputs of R0-R15 / G0-G15 / B0-B15 | ±0.5 | ±2 | % |
| | | All CHn = on, BC = 6h, CC = A7h, VOUTn = (VLED-1)V, RIREF = 7.8 kΩ (ICH = 10-mA target), TA = 25°C, includes the VIREF tolerance, at same color grouped outputs of R0-R15 / G0-G15 / B0-B15 | ±0.5 | ±2 | % |
| | | All CHn = on, BC = 7h, CC = FBh, IMAX=1b, VOUTn = (VLED-1)V, RIREF = 6.8 kΩ (ICH = 20-mA target), TA = 25°C, includes the VIREF tolerance, at same color grouped outputs of R0-R15 / G0-G15 / B0-B15 | ±0.5 | ±2.5 | % |

7.5 Electrical Characteristics (continued)

At VCC = VR = 2.8 V, VG/B = 3.8 V and TA = -40°C to +85°C; Typical values are at TA = 25°C (unless otherwise specified)

| PARAMETER | TEST CONDITIONS | MIN | TYP | MAX | UNIT | |
|--|---|-----|-----|------|------|---|
| $\Delta I_{ERR(DD)}$ Constant-current device to device deviation (R0-R15 / G0-G15 / B0-B15) ⁽²⁾ | All CHn = on, BC = 00h, CC = 31h, VOUTn = (VLED-1)V, R _{IREF} = 19.05 k Ω (I _{CH} = 0.2-mA target), TA = 25°C, includes the V _{IREF} tolerance, at same color grouped outputs of R0-R15 / G0-G15 / B0-B15 | | ±1 | ±2.5 | % | |
| | All CHn = on, BC = 00h, CC = 7Dh, VOUTn = (VLED-1)V, R _{IREF} = 19.05 k Ω (I _{CH} = 0.5-mA target), TA = 25°C, includes the V _{IREF} tolerance, at same color grouped outputs of R0-R15 / G0-G15 / B0-B15 | | | ±0.5 | ±1.5 | % |
| | All CHn = on, BC = 00h, CC = FBh, VOUTn = (VLED-1)V, R _{IREF} = 19.05 k Ω (I _{CH} = 1-mA target), TA = 25°C, includes the V _{IREF} tolerance, at same color grouped outputs of R0-R15 / G0-G15 / B0-B15 | | | ±0.5 | ±1 | % |
| | All CHn = on, BC = 2h, CC = FBh, VOUTn = (VLED-1)V, R _{IREF} = 7.8 k Ω (I _{CH} = 5-mA target), TA = 25°C, includes the V _{IREF} tolerance, at same color grouped outputs of R0-R15 / G0-G15 / B0-B15 | | | ±0.5 | ±1.5 | % |
| | All CHn = on, BC = 6h, CC = A7h, VOUTn = (VLED-1)V, R _{IREF} = 7.8 k Ω (I _{CH} = 10-mA target), TA = 25°C, includes the V _{IREF} tolerance, at same color grouped outputs of R0-R15 / G0-G15 / B0-B15 | | | ±0.5 | ±2 | % |
| | All CHn = on, BC = 7h, CC = FBh, I _{MAX} =1b, VOUTn = (VLED-1)V, R _{IREF} = 6.8 k Ω (I _{CH} = 20-mA target), TA = 25°C, includes the V _{IREF} tolerance, at same color grouped outputs of R0-R15 / G0-G15 / B0-B15 | | | ±0.5 | ±2 | % |
| $\Delta I_{REG(LINE)}$ Line regulation (R0-R15 / G0-G15 / B0-B15) ⁽³⁾ | VLED = 2.5 to 5.5 V, All CHn = on, VOUTn = (VLED-1)V, at same color grouped outputs of R0-R15 / G0-G15 / B0-B15 | | | ±1 | %/V | |
| $\Delta I_{REG(LOAD)}$ Load regulation (R0-R15 / G0-G15 / B0-B15) ⁽⁴⁾ | VOUTn = (VLED-1)V to (VLED-3)V, VR=VG/B=VLED = 3.8 V, All CHn = on, at same color grouped outputs of R0-R15 / G0-G15 / B0-B15 | | | ±1 | %/V | |
| T _{TSD} | Thermal shutdown threshold | | 170 | | °C | |
| T _{HYS} | Thermal shutdown hysteresis | | 15 | | °C | |

(1) The deviation of each output in same color group (OUTR0-15 or OUTG0-15 or OUTB0-15) from the average of same color group

constant current. The deviation is calculated by the formula. (X = R or G or B, n = 0-15)

$$\Delta(\%) = \left[\frac{I_{Xn}}{\frac{I_{X0} + I_{X1} + \dots + I_{X14} + I_{X15}}{16}} - 1 \right] \times 100$$

(2) The deviation of the average of constant-current in each color group from the ideal constant-current value. (X = R or G or B) :

$$\Delta(\%) = \left[\frac{I_{X0} + I_{X1} + \dots + I_{X14} + I_{X15} - \text{Ideal Output Current}}{16 \times \text{Ideal Output Current}} \right] \times 100$$

Ideal current is calculated by the following equation:

$$I_{IDEAL_R(or\ G\ or\ B)} = \frac{V_{IREF}}{R_{IREF}} \times GAIN_{(BC)} \times \frac{1 + CC_R(or\ CC_G\ or\ CC_B)}{256}$$

- (3) Line regulation is calculated by the following equation. (X = R or G or B, n = 0-15):

$$\Delta(\%V) = \left[\frac{(I_{Xn} \text{ at } V_{LED} = 5.5V) - (I_{Xn} \text{ at } V_{LED} = 2.5V)}{(I_{Xn} \text{ at } V_{LED} = 2.5V)} \right] \times \frac{100}{5.5V - 2.5V}$$

- (4) Load regulation is calculated by the following equation. (X = R or G or B, n = 0-15):

$$\Delta(\%V) = \left[\frac{(I_{Xn} \text{ at } V_{Xn} = 1V) - (I_{Xn} \text{ at } V_{Xn} = 3V)}{(I_{Xn} \text{ at } V_{Xn} = 3V)} \right] \times \frac{100}{3V - 1V}$$

7.6 Timing Requirements

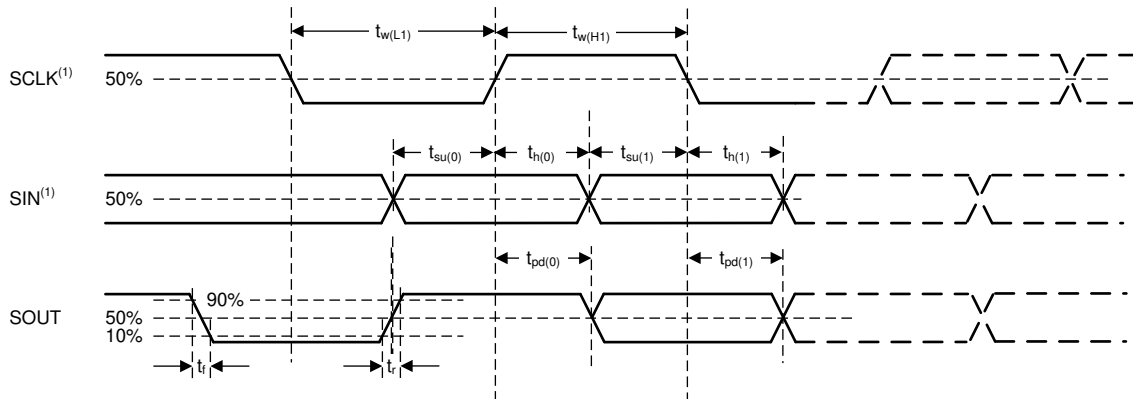
At VCC = VR = 2.8 V, VG/B = 3.8 V and TA = -40°C to +85°C; Typical values are at TA = 25°C (unless otherwise specified)

| PARAMETER | TEST CONDITIONS | MIN | TYP | MAX | UNIT |
|--------------------|----------------------------------|-------------------|-----|-----|------|
| f _{SCLK} | Clock frequency (SCLK) | | | 25 | MHz |
| t _{w(H1)} | High level pulse duration (SCLK) | 18 | | | ns |
| t _{w(L1)} | Low level pulse duration (SCLK) | 18 | | | ns |
| t _{su(0)} | Setup time | SIN to SCLK ↑ | 10 | | ns |
| t _{su(1)} | Setup time | SIN to SCLK ↓ | 10 | | ns |
| t _{h(0)} | Hold time | SCLK ↑ to SIN ↑ ↓ | 2 | | ns |
| t _{h(1)} | Hold time | SCLK ↓ to SIN ↑ ↓ | 2 | | ns |

7.7 Switching Characteristics

At VCC = VR = 2.8 V, VG/B = 3.8 V and TA = -40°C to +85°C; Typical values are at TA = 25°C (unless otherwise specified)

| PARAMETER | TEST CONDITIONS | MIN | TYP | MAX | UNIT |
|--------------------|-------------------|---|-----|------|------|
| t _r | Rise time (SOUT) | VCC = 3.3 V, C _{SOUT} = 30 pF | 2 | 10 | ns |
| t _f | Fall time (SOUT) | VCC = 3.3 V, C _{SOUT} = 30 pF | 2 | 10 | ns |
| t _{pd(0)} | Propagation delay | SCLK ↑ to SOUT ↑ ↓, full temperature, C _{SOUT} = 30 pF | 3.5 | 14.2 | ns |
| t _{pd(1)} | Propagation delay | SCLK ↓ to SOUT ↑ ↓, full temperature, C _{SOUT} = 30 pF | 3.5 | 14.2 | ns |



(1). Input pulse rise and fall time is 2 ns typically.

图 7-1. Timing and Switching Diagram (Dual Edge)

7.8 Typical Characteristics

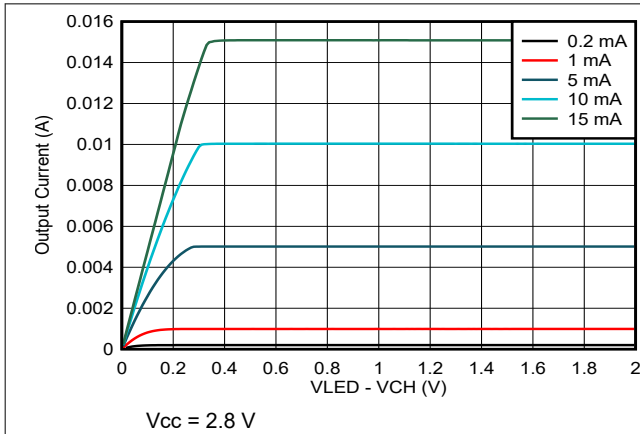


图 7-2. Channel Current vs (VLED-Vchannel) Voltage

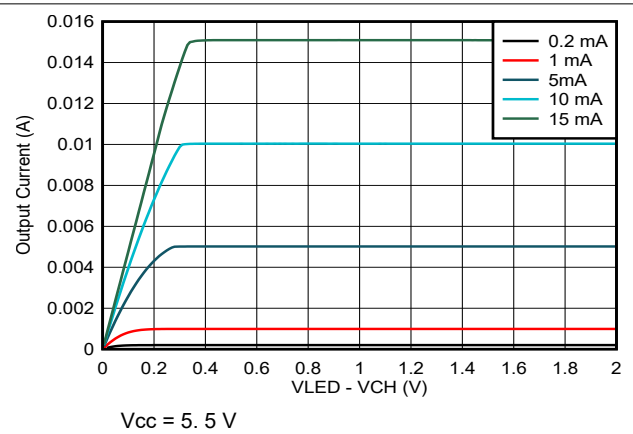


图 7-3. Channel Current vs (VLED-Vchannel) Voltage

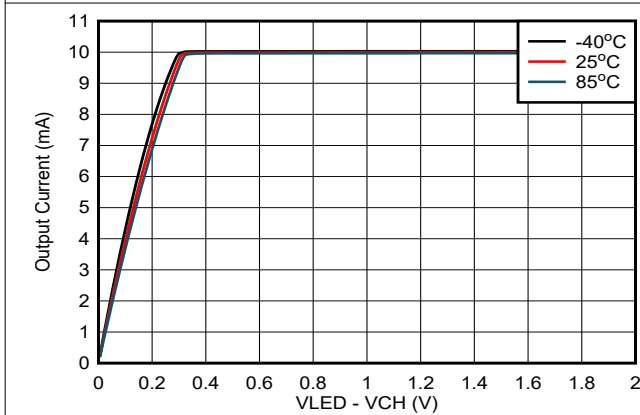


图 7-4. Channel Current vs (VLED-Vchannel) Voltage

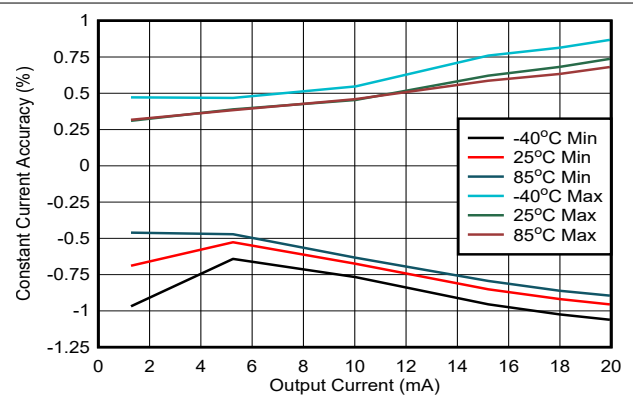


图 7-5. Channel-to-Channel Accuracy vs Output Current

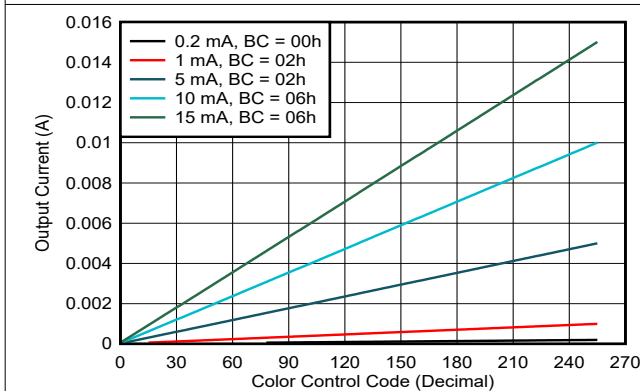


图 7-6. Color Control Code vs Output Current

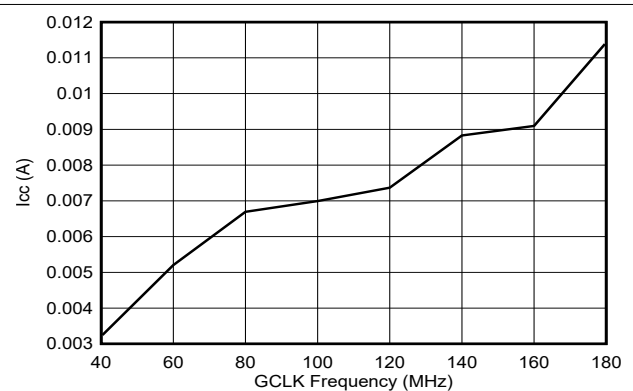
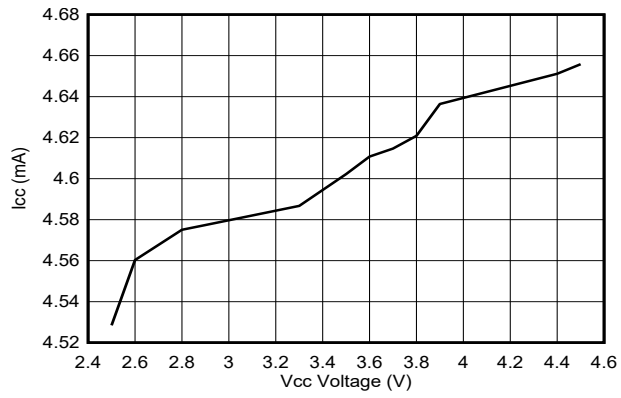


图 7-7. Icc Current vs GCLK Frequency

7.8 Typical Characteristics (continued)



GCLK = 80 MHz

图 7-8. Icc Current vs Vcc Voltage

8 Detailed Description

8.1 Overview

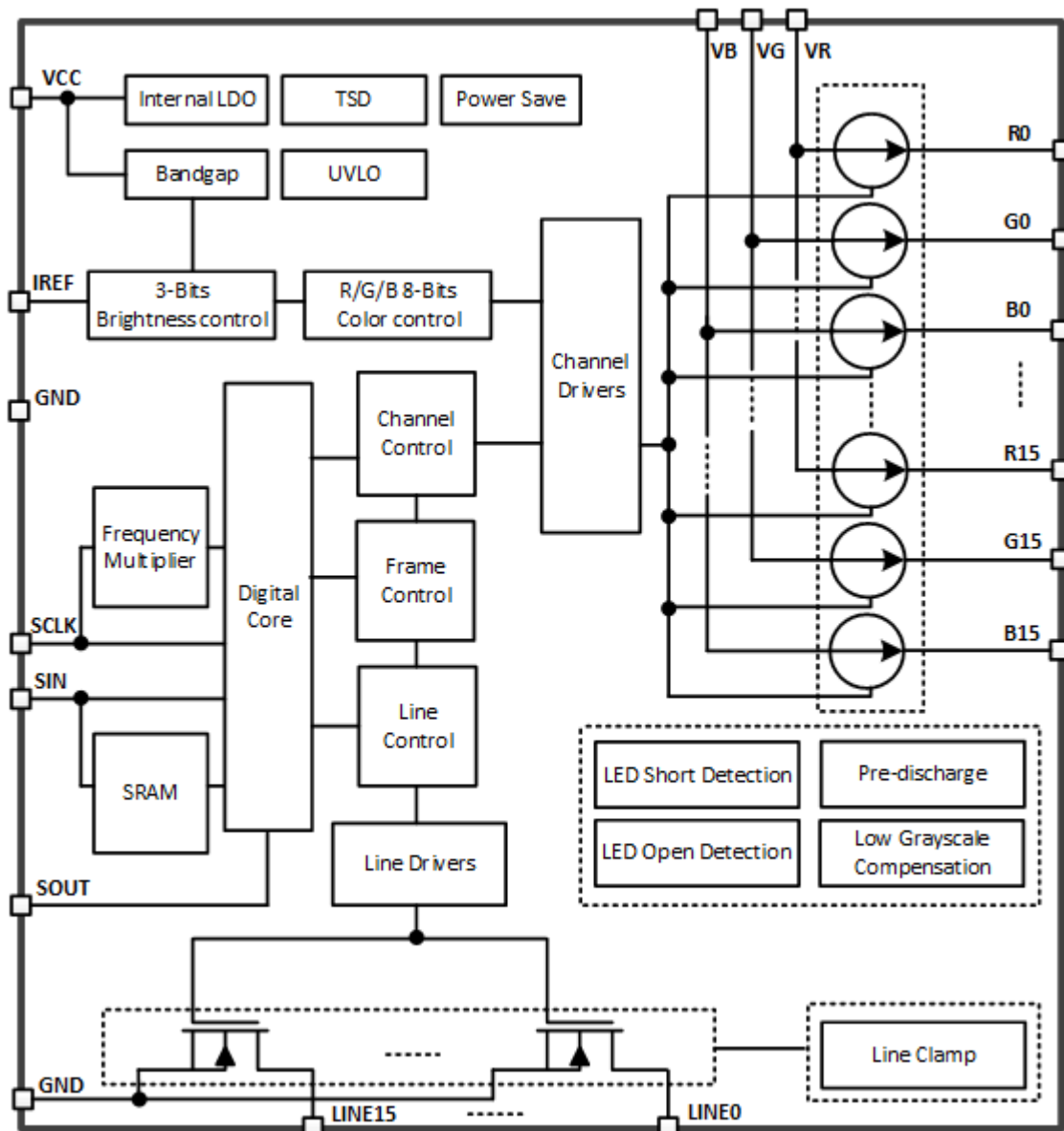
The TLC6984 is a highly-integrated, common cathode LED-display driver with 48 constant current sources and 16 scanning FETs. A single TLC6984 is capable of driving 16×16 RGB LED pixels while stacking four TLC6984s can drive 64×64 RGB LED pixels. To achieve low-power consumption, the device supports separated power supplies for the red, green, and blue LEDs by its common cathode structure. Furthermore, the operation power of the TLC6984 is significantly reduced by ultra-low operation voltage range (V_{CC} down to 2.5 V) and ultra-low operation current (I_{CC} down to 3.6 mA).

The TLC6984 supports per channel current from 0.2 mA to 20 mA, with typical 0.5% channel-to-channel current deviation and typical 0.5% device-to-device current deviation. The DC current value of all 48 channels is set by an external IREF resistor and can be adjusted by the 8-step global brightness control (BC) and the 256-step per-color group brightness control (CC_R/CC_G/CC_B).

The TLC6984 implements a high-speed, dual-edge transmission interface to support high device count daisy-chained and high-refresh rate while minimizing electrical-magnetic interference (EMI). The TLC6984 supports up to 25-MHz SCLK (external) and up to 160-MHz GCLK (internal). Meanwhile, the device integrates enhanced circuits and intelligent algorithms to solve the various display challenges in Narrow Pixel Pitch (NPP) LED display applications and mini and micro-LED products: dim at the first scan line, upper and downside ghosting, non-uniformity in low grayscale, coupling, caterpillar caused by open or short LEDs, which make the TLC6984 a perfect choice in such applications.

The TLC6984 also implements LED open, weak-short, short detections and removals during operations and can also report this information out to the accompanying digital processor.

8.2 Functional Block Diagram

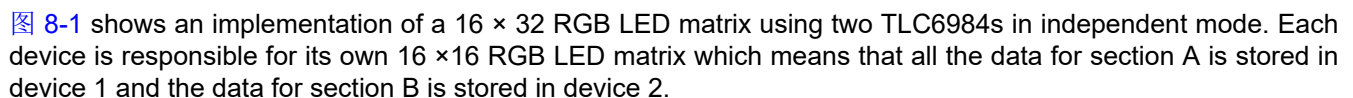


8.3 Feature Description

8.3.1 Independent and Stackable Mode

The TLC6984 can operate in two different modes: independent or stackable. In independent mode, a single TLC6984 can drive a 16×16 RGB LED matrix, while in stackable mode, up to four TLC6984s can be stacked together, which means the line switches of one device can be shared to the others. Stacking three TLC6984s can drive a 48×48 RGB LED matrix while stacking four TLC6984s can drive a 64×64 RGB matrix. The mode can be configured by the MOD_SIZE (see [FC2](#) for more details).

8.3.1.1 Independent Mode

 **Figure 8-1** shows an implementation of a 16×32 RGB LED matrix using two TLC6984s in independent mode. Each device is responsible for its own 16×16 RGB LED matrix which means that all the data for section A is stored in device 1 and the data for section B is stored in device 2.

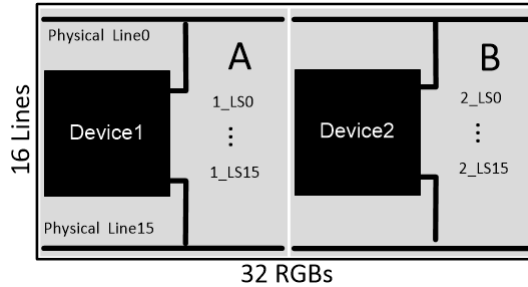


图 8-1. Two Devices in Independent Mode

The unused line must be assigned to the last several lines of the device. For example, if there are only 14 scanning lines, then the two unused lines must be assigned to 1_LS14 and 1_LS15.

8.3.1.2 Stackable Mode

表 8-1 shows operating the TLC6984 in stackable mode.

表 8-1. Stackable Mode

| Mode | Matrix Size | Register Value | Scan Sequence |
|-------|-------------|----------------|--------------------|
| Mode1 | 16 × 32 | 000b | D1, D2 independent |
| Mode2 | 32 × 32 | 001b | D1->D2 |
| Mode3 | 48 × 48 | 010b | D1->D2->D3 |
| Mode4 | 48 × 48 | 011b | D1->D3->D2 |
| Mode5 | 48 × 64 | 100b | D1->D2->D3 |
| Mode6 | 48 × 64 | 101b | D1->D3->D2 |
| Mode7 | 64 × 64 | 110b | D1->D2->D3->D4 |
| Mode8 | 64 × 64 | 111b | D1->D4->D2->D3 |

图 8-2 shows that device 2 must be rotated 180° relative to device 1. This action allows the position of line switches to be near the center column of the LED matrix for better routing. For device 1, the lines are connected sequentially (line switch 0 connected to scan line 1). However on device 2, it is connected in reverse order, with the 16th scan line is connected to line switch 15 and the 32th scan line is connected to line switch 0.

图 8-2 shows the connection between two TLC6984 devices in stackable mode driving a 32 × 32 RGB LED pixels. The MOD_SIZE must be configured to 001b. Device1 supplies 16 line switches for the first 16 scan line, and device 2 supplies 16 line switches for scan line 17-32. The data for matrix sections A and C are stored in device 1, while matrix sections B and D data are stored in device 2.

To make sure the scanning sequence is still from 1st line to 32nd line, the scan line switching order of the second device must be reversed, This configuration can be completed by the SCAN_REV (see FC4 for more details).

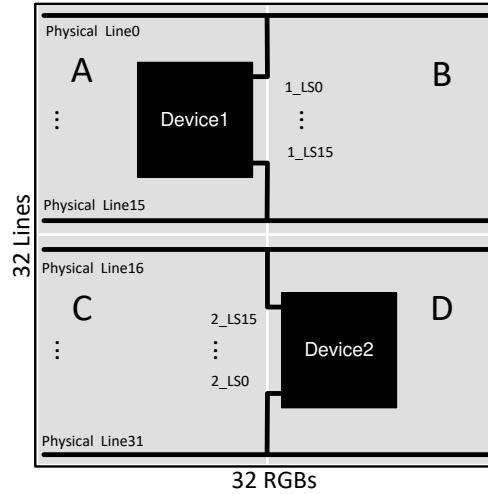


图 8-2. Mode2 Diagram

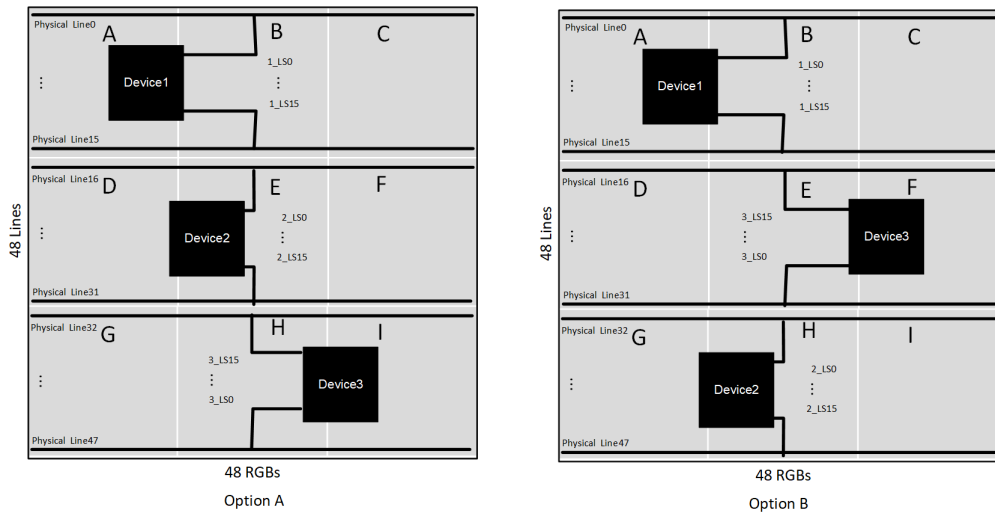


图 8-3. Mode3 and Mode4 Diagram

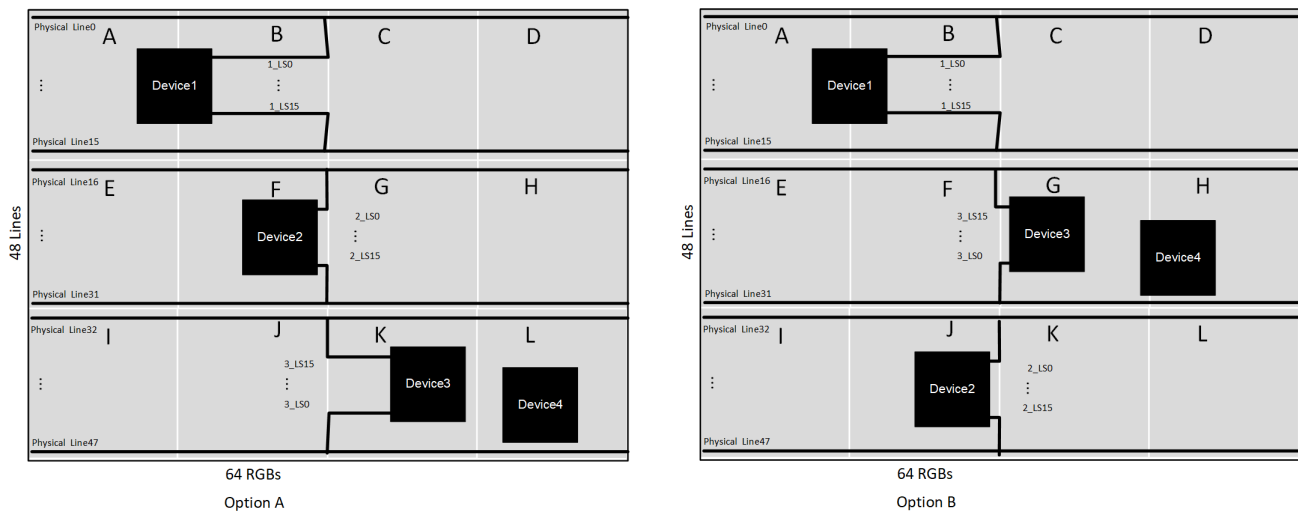


图 8-4. Mode5 and Mode6 Diagram

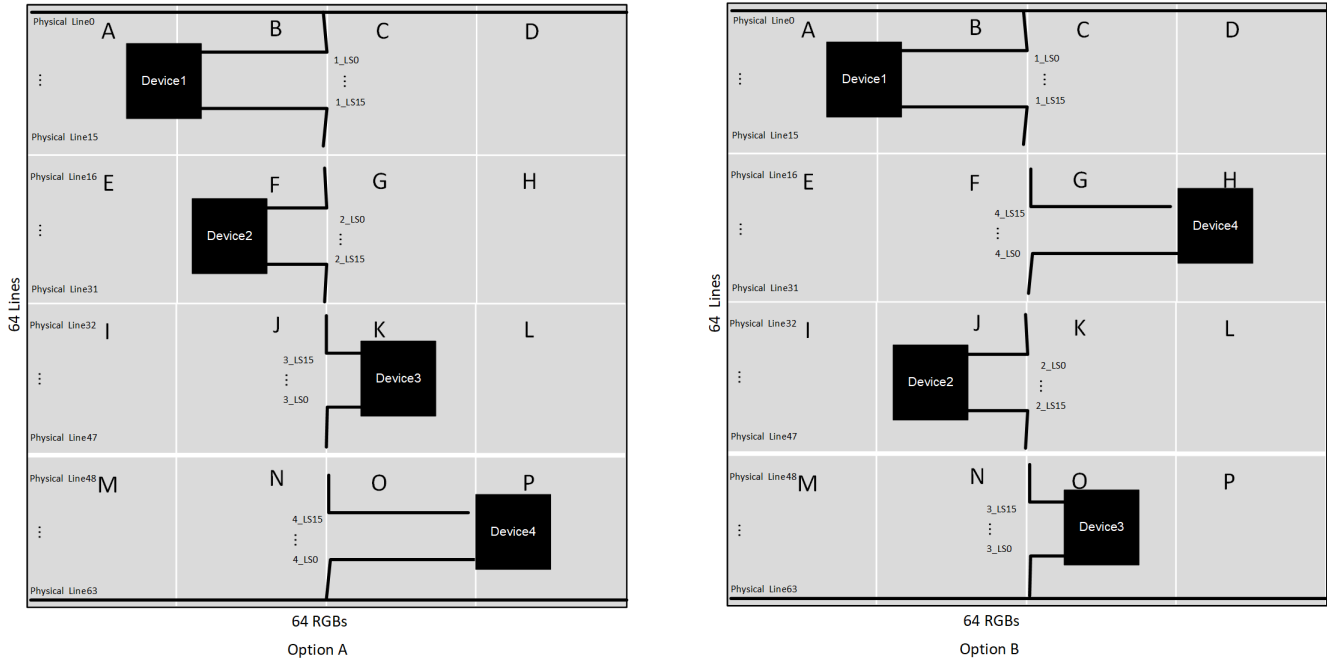


图 8-5. Mode7 and Mode8 Diagram

When two TLC6984 devices are used in stackable mode, if there are unused line switches, these unused line switches must be the last line switches of the first or the second device. For example, if there are only 30 scanning lines, and if,

SCAN_REV = '0'b, the unused line switches can be either of below,

- 1_LS14, 1_LS15
- 2_LS14, 2_LS15

SCAN_REV = '1'b, the unused line switches can be either of below,

- 1_LS14, 1_LS15
- 2_LS1, 2_LS0

If the unused line switches are 1_LS14, 1_LS15, the FC6-FC13 registers must be configured. If the unused line switches are 2_LS14, 2_LS15 when SCAN_REV = '0' or 2_LS1, 2_LS0 when SCAN_REV = '1', there is no need to configure FC6-FC13 registers.

8.3.2 Current Setting

8.3.2.1 Brightness Control (BC) Function

The TLC6984 device is able to adjust the output current of all constant-current outputs simultaneously. This function is called global brightness control (BC). The global BC for all outputs is programmed with a 3-bit register, thus all output currents can be adjusted in 8 steps for a given current-programming resistor, R_{IREF} . When the 3-bit BC register changes, the gain of output current, $GAIN_{BC}$ changes as 表 8-2 below.

表 8-2. Current Gain Versus BC Code

| BC Register (BC) | Current Gain (GAIN _{BC}) |
|------------------|------------------------------------|
| 000b | 24.17 |
| 001b | 30.57 |
| 010b | 49.49 |
| 011b (default) | 86.61 |
| 100b | 103.94 |
| 101b | 129.92 |
| 110b | 148.48 |
| 111b | 173.23 |

The maximum output current per channel, I_{OUTSET} , is determined by resistor R_{IREF} , and the $GAIN_{BC}$. The voltage on $IREF$ is typically 0.8 V. Use 方程式 1 to calculate R_{IREF} . For noise immunity purpose, suggest $R_{IREF} < 40 \text{ k}\Omega$.

$$R_{IREF} (k\Omega) = \frac{V_{IREF} (V)}{I_{IREF} (mA)} = \frac{V_{IREF} (V)}{I_{OUTSET} (mA)} \times GAIN_{(BC)} \quad (1)$$

8.3.2.2 Color Brightness Control (CC) Function

The TLC6984 device is able to adjust the output current of each of the three color groups R0-R15, G0-G15, and B0-B15 separately. This function is called color brightness control (CC). For each color, it has 8-bit data register, CC_R , CC_G , or CC_B . Thus, all color group output currents can be adjusted in 256 steps from 0% to 100% of the maximum output current, I_{OUTSET} . Use 方程式 2 to calculate the output current of each color, I_{OUT_R} (or G or B).

$$I_{OUT_R(or\ G\ or\ B)} = I_{OUTSET} \times \frac{1 + CC_R(or\ CC_G\ or\ CC_B)}{256} \quad (2)$$

Table 表 8-3 shows the CC data versus the constant-current against I_{OUTSET} .

表 8-3. CC Data vs Current Ratio

| CC Register (CC_R or CC_G or CC_B) | Ratio of I_{OUTSET} | |
|--|-----------------------|--------|
| 0000 0000b | 1/256 | 0.39% |
| 0000 0001b | 2/256 | 0.78% |
| ... | ... | ... |
| 0111 1111b (default) | 128/256 | 50% |
| ... | ... | ... |
| 1111 1110b | 255/256 | 99.61% |
| 1111 1111b | 256/256 | 100% |

8.3.2.3 Choosing BC/CC for a Different Application

BC is mainly used for global brightness adjustment to adapt to ambient brightness, such as between day and night, indoor and outdoor.

- Suggested BC is 3h or 4h, which is in the middle of the range, allowing flexible changes in brightness up and down.
- If the current of one color group (usually R LEDs) is close to the output maximum current (10 mA or 20 mA), to prevent the constant output current from exceeding the upper limit in case a larger BC code is input accidentally, choose the maximum BC value, 7h.
- If the current of one color group (usually B LEDs) is close to the output minimum current (0.2 mA), to prevent the constant output current from exceeding the lower limit in case a lower BC code is input accidentally, choose the minimum BC code, 0h.

CC can be used to fine tune the brightness in 256 steps. This action is suitable for white balance adjustment between RGB color group. To get a pure white color, the general requirement for the luminous intensity ratio of R, G, B LED is 5:3:2. Depending on the characteristics of the LED (Electro-Optical conversion efficiency), the current ratio of R, G, B LED is much different from this ratio. Usually, the Red LED needs the largest current. Choose 255d (the maximum value) CC code for the color group that needs the largest initial current, then choose proper CC code for the other two color groups according to the current ratio requirement of the LED used.

8.3.3 Frequency Multiplier

The TLC6984 has an internal frequency multiplier to generate the GCLK by SCLK. The GCLK frequency can be configured by `FREQ_MOD` (See [FC0](#) for more details) and `FREQ_MUL` (see [FC0](#) for more details) from 40 MHz to 160 MHz. As [图 8-6](#) shows, if the GCLK frequency is not higher than 80 MHz, the `GCLK_MOD` is set to 0 to disable the bypass switch (enable the 1/2 divider), while the GCLK frequency is higher than 80 MHz, the `GCLK_MOD` is set to 1 to enable the bypass switch (disable the 1/2 divider).

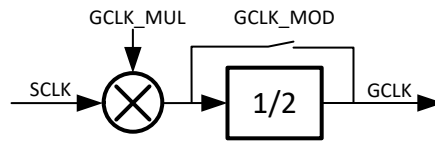


图 8-6. Frequency Multiplier Block Diagram

8.3.4 Line Transitioning Sequence

The TLC6984 defines a timing sequence of scan line transition, shown as [图 8-7](#). `T_SW` is the total transitioning time. `T_SW` is broken up into four intervals: `T0` is the time interval between the end of PWM time in current segment and the beginning of channel pre-discharge, `T1` is the time interval between the beginning of the channel pre-discharge and the beginning of current line OFF, `T2` is the time interval that the beginning of current line OFF and the beginning of next line ON, `T3` is the time interval of the beginning of next line ON and the beginning of PWM time in next segment.

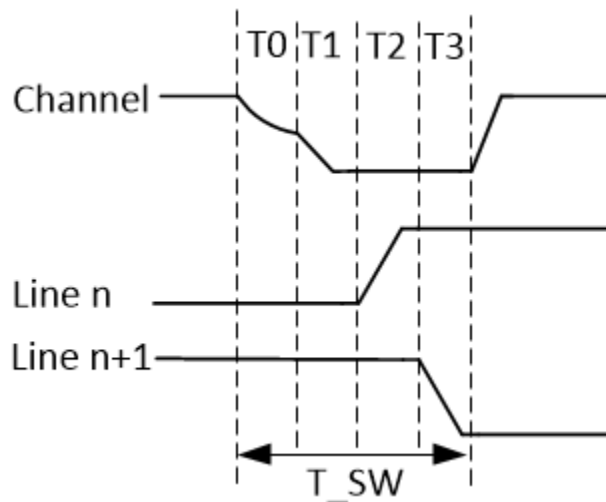


图 8-7. Line Transitioning Sequence

The line switch time `T_SW` equals to `T0 + T1 + T2 + T3`. `T_SW` can be configured by the `LINE_SWT` (see [FC1](#) register bit 40-37 in [FC1](#)).

[表 8-4](#) is the relation between `LINE_SWT` bits and the line switch time (GCLK numbers) with different internal GCLK frequency.

表 8-4. Line Switch Time

| LINE_SW T | GCLK Numbers | T_SW (us, 40- MHZ GCLK) | T_SW (us, 60-MHZ GCLK) | T_SW (us, 100-MHZ GCLK) | T_SW (us, 120-MHZ GCLK) | T_SW (us, 160- MHZ GCLK) |
|--------------|-----------------|----------------------------|---------------------------|----------------------------|----------------------------|-----------------------------|
| 0000b | 45 | 1.125 | 0.7515 | 0.45 | 0.3735 | 0.2835 |
| 0001b | 60 | 1.5 | 1.002 | 0.6 | 0.498 | 0.378 |
| 0010b | 90 | 2.25 | 1.503 | 0.9 | 0.747 | 0.567 |
| 0011b | 120 | 3 | 2.004 | 1.2 | 0.996 | 0.756 |
| 0100b | 150 | 3.75 | 2.505 | 1.5 | 1.245 | 0.945 |
| 0101b | 180 | 4.5 | 3.006 | 1.8 | 1.494 | 1.134 |
| 0110b | 210 | 5.25 | 3.507 | 2.1 | 1.743 | 1.323 |
| 0111b | 240 | 6 | 4.008 | 2.4 | 1.992 | 1.512 |
| 1000b | 270 | 6.75 | 4.509 | 2.7 | 2.241 | 1.701 |
| 1001b | 300 | 7.5 | 5.01 | 3 | 2.49 | 1.89 |
| 1010b | 330 | 8.25 | 5.511 | 3.3 | 2.739 | 2.079 |
| 1011b | 360 | 9 | 6.012 | 3.6 | 2.988 | 2.268 |
| 1100b | 390 | 9.75 | 6.513 | 3.9 | 3.237 | 2.457 |
| 1101b | 420 | 10.5 | 7.014 | 4.2 | 3.486 | 2.646 |
| 1110b | 450 | 11.25 | 7.515 | 4.5 | 3.735 | 2.835 |
| 1111b | 480 | 12 | 8.016 | 4.8 | 3.984 | 3.024 |

8.3.5 Protections and Diagnostics

8.3.5.1 Thermal Shutdown Protection

The thermal shutdown (TSD) function turns off all IC constant-current outputs when the junction temperature (T_J) exceeds 170°C (typical). The function resumes normal operation when T_J falls below 155°C (typical).

8.3.5.2 IREF Resistor Short Protection

The IREF resistor short protection (ISP) function prevents unwanted large currents from flowing through the constant-current output when the IREF resistor is shorted accidentally. The TLC6984 device turns off all output channels when the IREF pin voltage is lower than 0.19 V (typical). When the IREF pin voltage goes higher than 0.325 V (typical), the TLC6984 device resumes normal operation.

8.3.5.3 LED Open Load Detection and Removal

8.3.5.3.1 LED Open Detection

The LED open detection (LOD) function detects faults caused by an open circuit in any LED, or a short from OUT_n to VLED with low impedance. This function was realized by comparing the OUT_n voltage to the LOD detection threshold voltage level set by LODVTH_R/LODVTH_G/LODVTH_B (See FC3 for more details). If the OUT_n voltage is higher than the programmed voltage, the corresponding output LOD bit is set to 1 to indicate an open LED. Otherwise, the output of that LOD bit is 0. LOD data output by the detection circuit are valid only during the OUT_n turning on period.

图 8-8 shows the equivalent circuit of LED open detection.

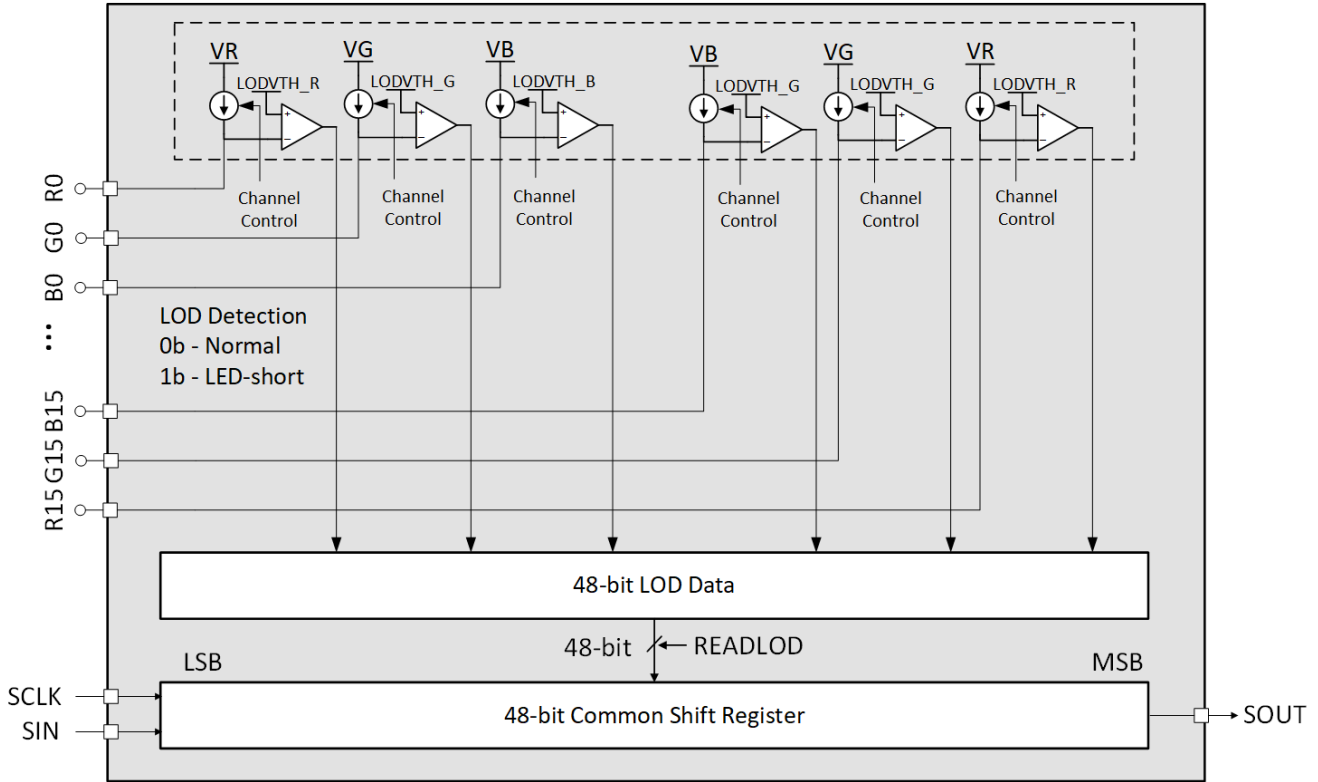


图 8-8. LED Open Detection Circuit

The LED open detection function records the position of the open LED, which contains the scan line number and relevant channel number. The scan line order is stored LOD_LINE_WARN register (see FC16, FC17 for more details), and the channel number is latched into the internal 48-bit LOD data register (see FC20 for more details) at the end of each segment. 图 8-9 shows the bit arrangement of the LOD data register.

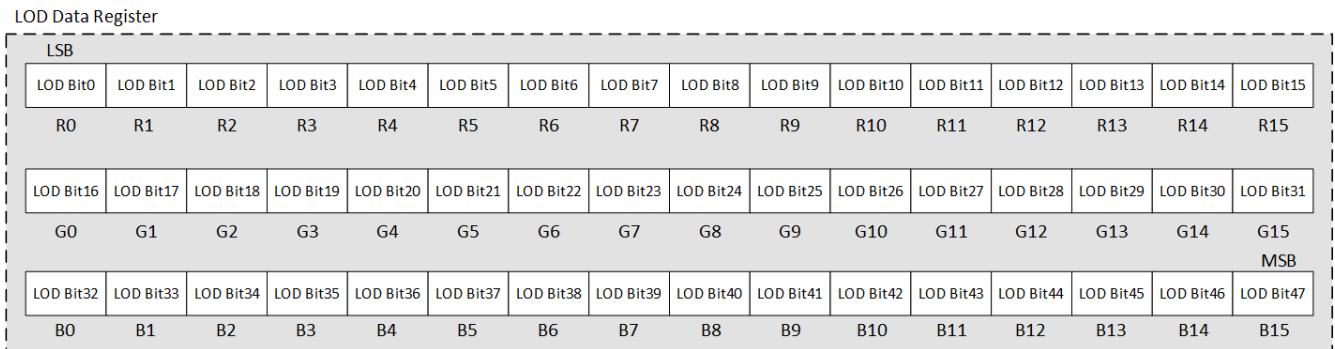


图 8-9. Bit Arrangement in LOD Data Register

8.3.5.3.2 Read LED Open Information

The LOD readback function must be enabled before read LED open information. This function is enabled by LOD_LSD_RB (see FC3 for more details).

图 8-10 shows the steps to read LED open information. Wait at least one sub-period time between Step2 and Step3 command.

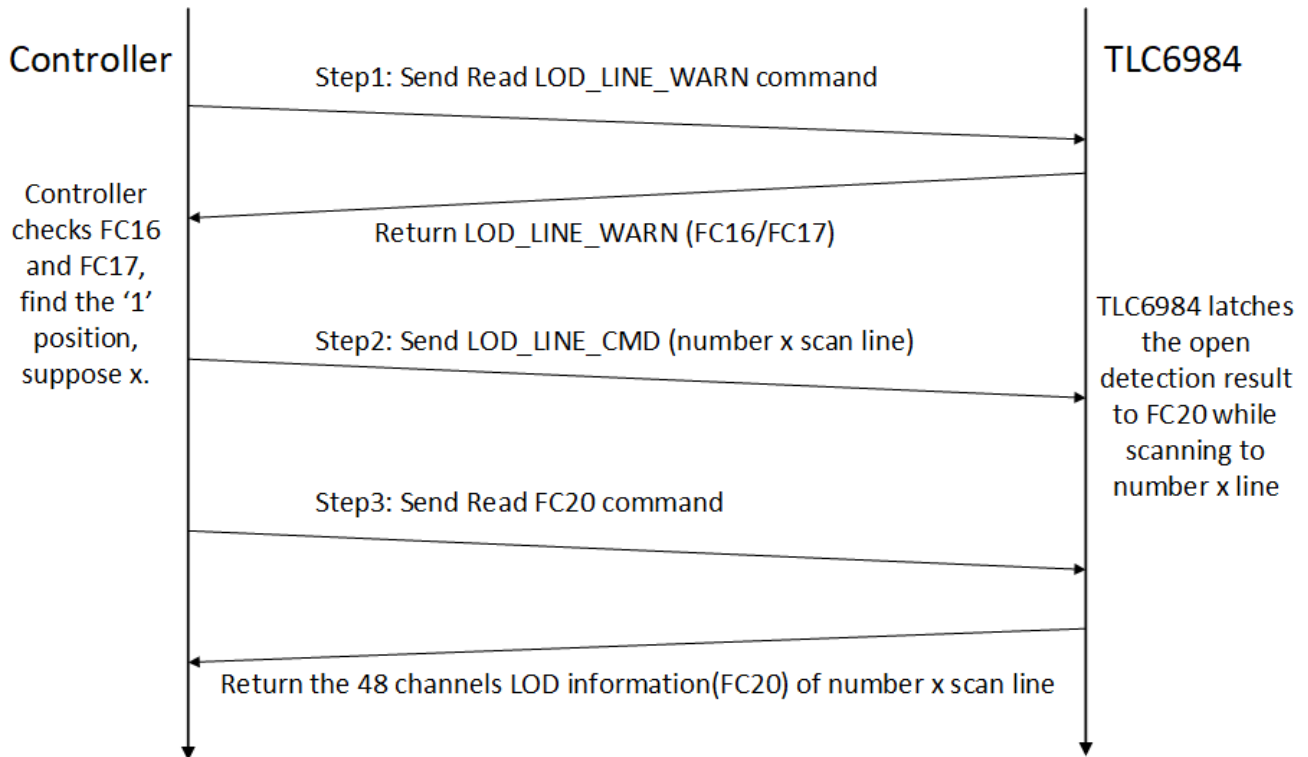


图 8-10. Steps to Read LED Open Information

8.3.5.3.3 LED Open Caterpillar Removal

图 8-11 shows the caterpillar issue caused by open LED. Suppose the LED0-1 is an open LED. When line0 is chosen and the OUT1 is turned on, the OUT1 voltage is forced to approach to VLED because of the broken path of the current source. However, the voltage of the un-chosen lines are below the Vclamp which is much lower than VLED, causing all LEDs which connect to the channel OUT1, light unwanted.

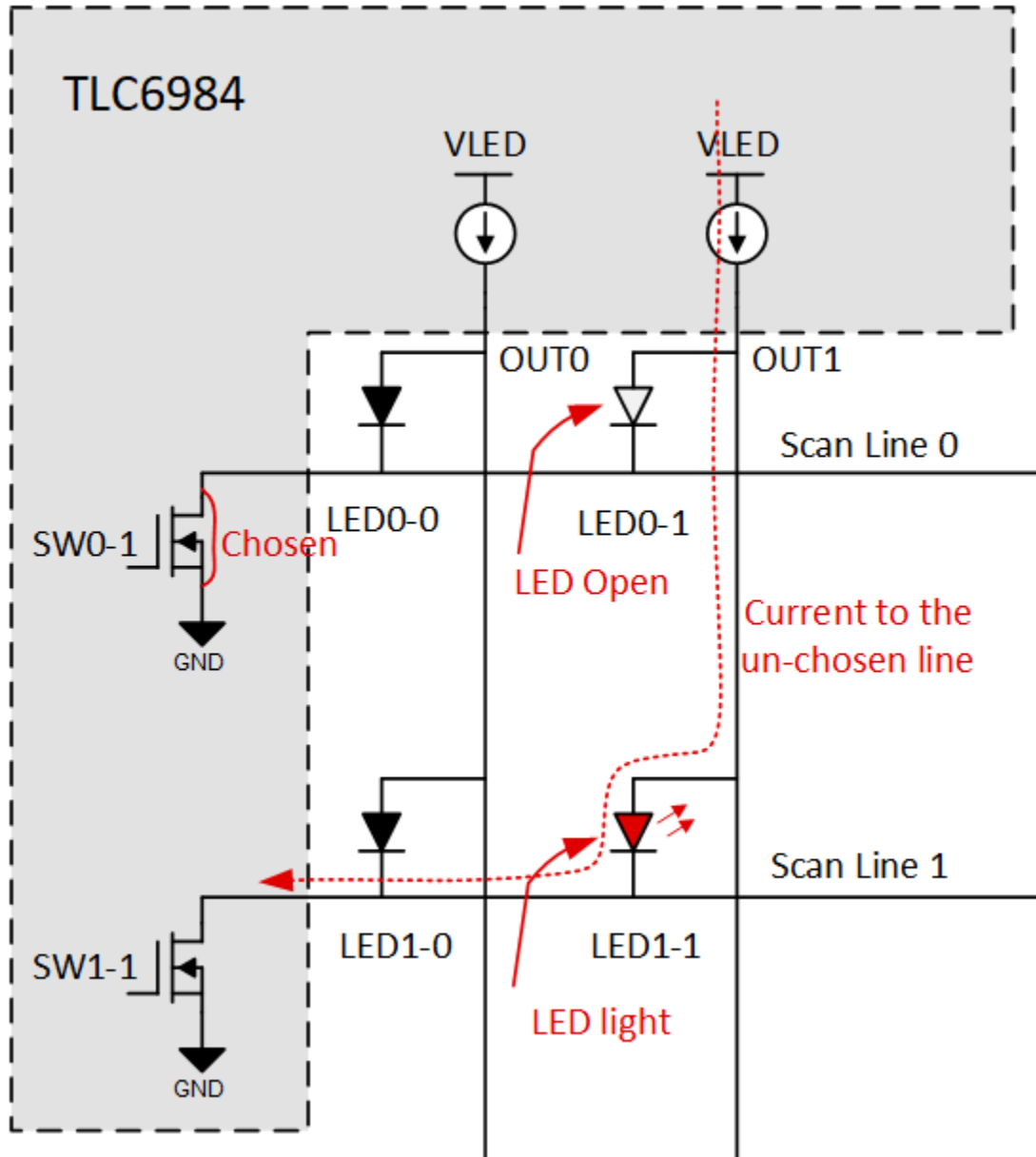


图 8-11. LED Open Caterpillar

The TLC6984 implements circuits that can eliminate the caterpillar issue caused by open LEDs. The LED open caterpillar removal function is configured by LOD_RM_EN (see [FC0](#) for more details). When LOD_RM_EN is set to 1b, the caterpillar removal function is enabled. The corresponding channel OUTn is turned off when scanning to line with open LED. The caterpillar issue is eliminated until device resets or LOD_RM_EN is set to 0b.

The internal caterpillar elimination circuit can handle a maximum of three lines that have open LEDs fault condition. If there are open LEDs located in three or fewer lines, the TLC6984 is able to handle the open LEDs all in these lines. If there are open LEDs in more than three lines, the caterpillar issue is solved for the lines where the first three open LEDs were detected, but the open LEDs in the fourth and subsequent lines still cause the caterpillar issue.

8.3.5.4 LED Short and Weak Short Circuitry Detection and Removal

8.3.5.4.1 LED Short and Weak Short Detection

The LED short detection (LSD) function detects faults caused by a short circuit in any LED. This function was realized by comparing the OUTn voltage to the LSD threshold voltage. If the OUTn voltage is lower than the

threshold voltage, the corresponding output LSD bit is set to 1 to indicate an short LED, otherwise, the output of that LSD bit is 0. LSD data output by the detection circuit are valid only during the OUTn turning on period.

LSD weak short can be detected by adjusting threshold voltage, which level is set by LSDVTH_R/LSDVTH_G/LSDVTH_B (See FC3 for more details).

图 8-12 shows the equivalent circuit of LED short detection.

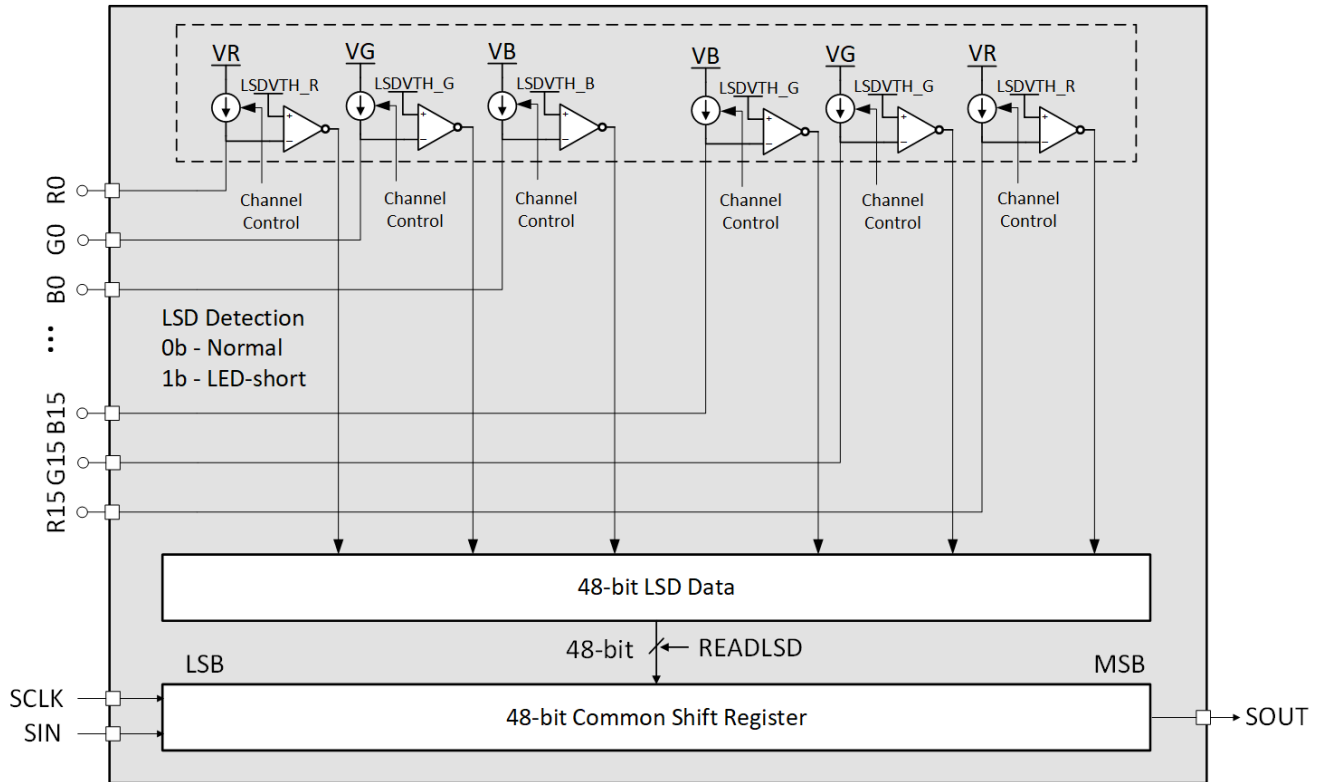


图 8-12. LED Short Detection Circuit

The LED short detection function records the position of the short LED, which contains the scan line order and relevant channel number. The scan line order is stored LSD_LINE_WARN register (see FC18 and FC19 for more details), and the channel number is latched into the internal 48-bit LSD data register (see FC21 for more details) at the end of each segment. 图 8-13 shows the bit arrangement of the LSD data register.

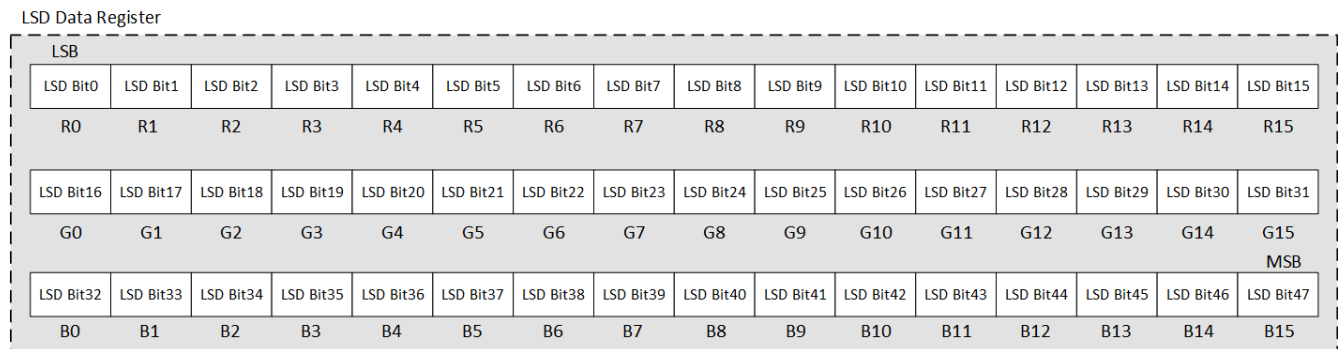


图 8-13. Bit Arrangement in the LSD Data Register

8.3.5.4.2 Read LED Short Information

The LSD readback function must be enabled before reading LED Short information. This function is enabled by LOD_LSD_RB (see FC3 for more details).

图 8-14 shows the steps to read LED Short information. Wait at least one sub-period time between Step2 and Step3 command.

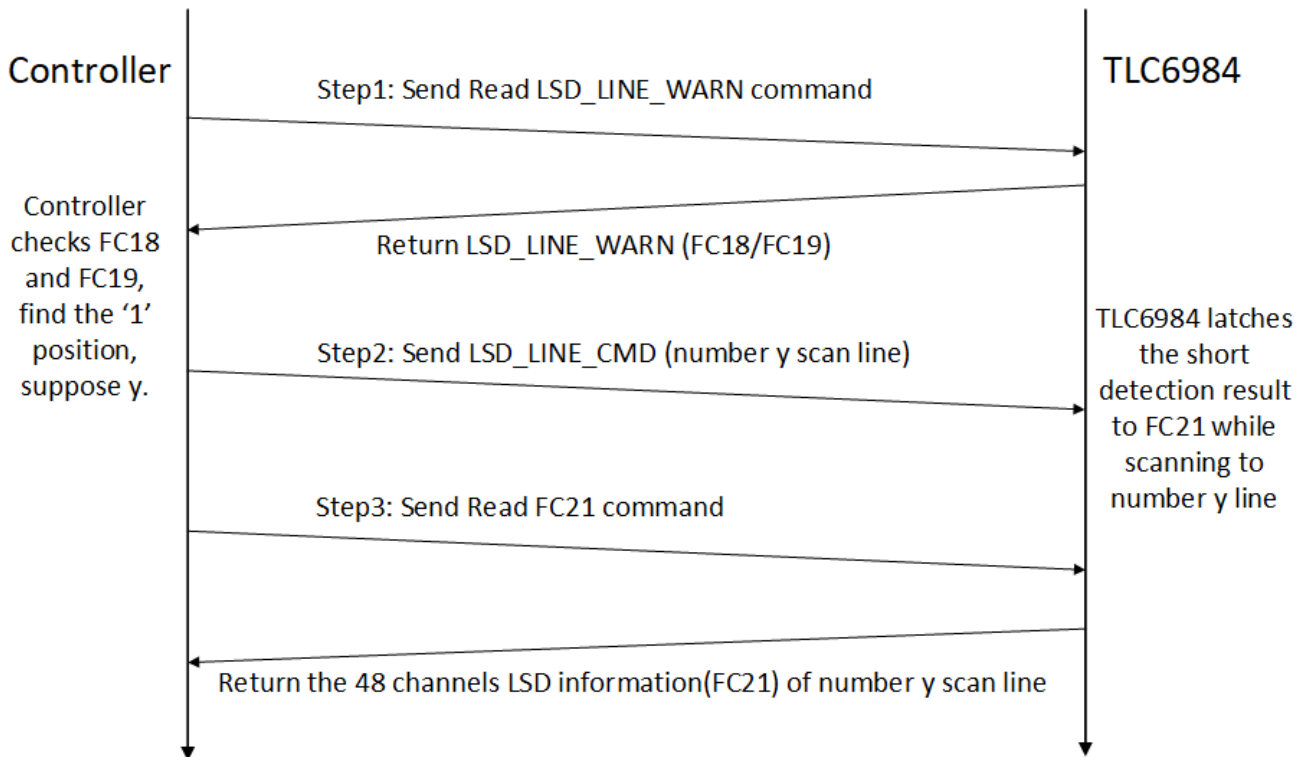


图 8-14. Steps to Read LED Short Information

8.3.5.4.3 LSD Caterpillar Removal

图 8-15 shows the LSD caterpillar issue caused by short LED. Suppose the LED0-1 is a short LED. When it scans to the line1 and the OUT1 is turned off, the OUT1 voltage is the same with scan line0 voltage because of the short path of the LED0-1. At this time, there is a current path from the line0 to the GND through the LED1-1 and SW1-1, which causes LED1-1 light unwanted.

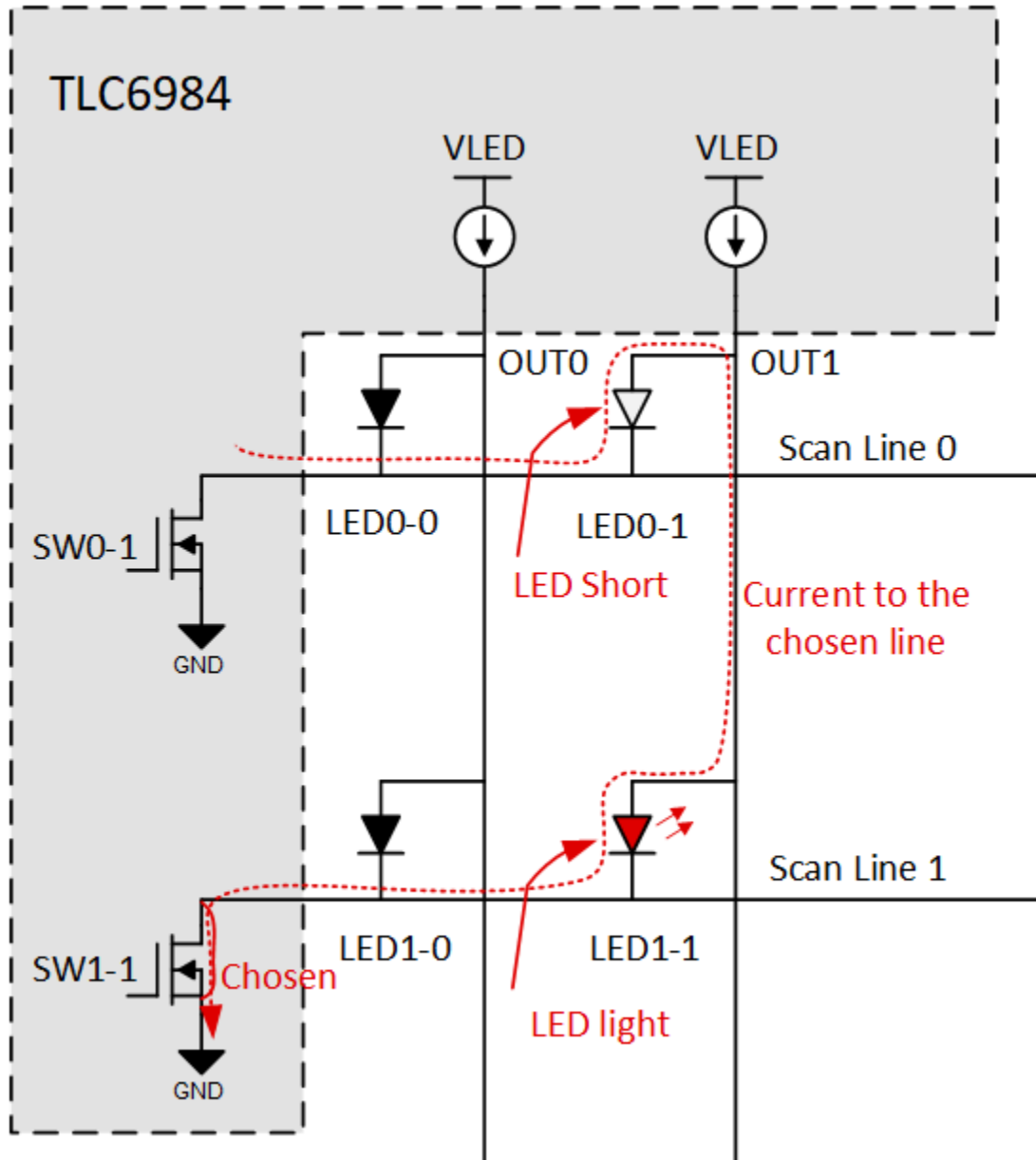


图 8-15. LED Short Caterpillar

The TLC6984 device implements internal circuits that can eliminate the caterpillar issue by short LEDs. As is shown in 图 8-15, the LED short caterpillar is caused by the voltage of the Vclamp on the line. So it can be solved by adjusting the LSD_RM_EN (see FC3 for more details) to let the voltage drop of the LED1-1 be smaller than LED forward voltage.

8.4 Device Functional Modes

The device functional modes are shown in 图 8-16.

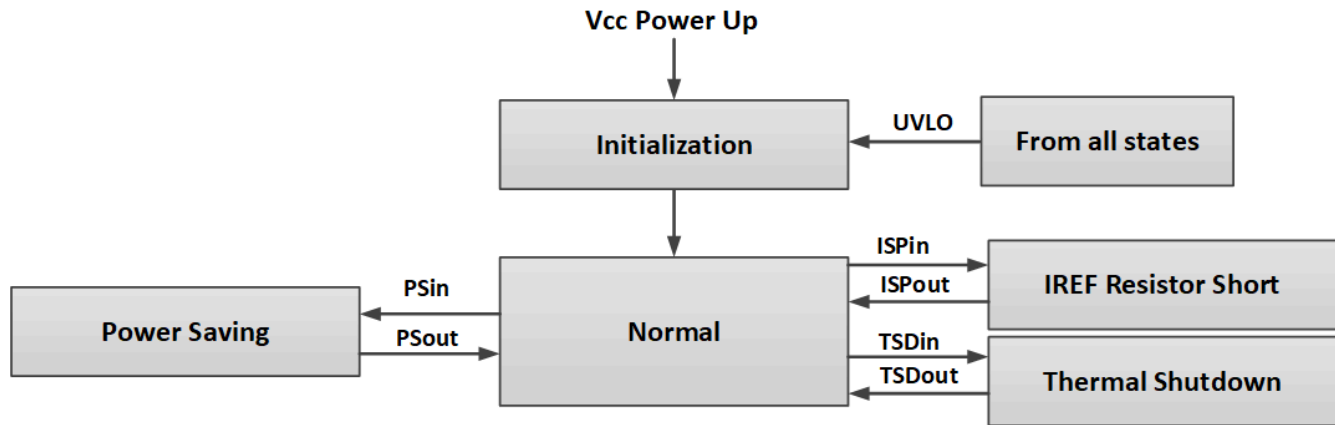


图 8-16. Functional Modes

- **Initialization:** the device enters into Initialization when Vcc goes down to UVLO voltage. In this mode, all the registers are reset. Entry can also be from any state.
- **Normal:** the device enters the normal mode when Vcc is higher than UVLO threshold. The display process is shown as below in normal mode.
- **Power saving:** the device automatically enters and gets out from the power save mode when it detects the condition PSin and PSout. In this mode, all channels turn off. PSin: after the device detects that the display data of the next frame all equal to zero, it enters to power save mode when the VSYNC comes. PSout: after the device detects that there is non-zero display data of the next frame, it gets out from power save mode immediately.
- **IREF Resistor Short Protection:** the device automatically enters and gets out from the IREF resistor short protection mode when it detects the condition ISPin and ISPout. In this mode, all channels turn off. ISPin: the device detects that the reference voltage is smaller than 0.195 V ISPout: the device detects that the reference voltage is larger than 0.325 V.
- **Thermal Shutdown:** the device automatically enters and gets out from the thermal shutdown mode when it detects the condition TSDin and TSDout. In this mode, all channels turn off. TSDin: the device detects that the junction temperature exceeds 170° C TSDout: the device detects that the junction temperature is below 155° C.

8.5 Continuous Clock Series Interface

The continuous clock series interface (CCSI) provides access to the programmable functions and registers, SRAM data of the device. The interface contains two input digital pins. the pins are the serial data input (SIN) and serial clock (SCLK). Moreover, there is an another wire called serial data output (SOUT) as the output digital signal of the device. The SIN is set to HIGH when device is in idle status and the SCLK must be existent and continuous all the time considering as the clock source of internal Frequency Multiplier, the SOUT is used to transmit the data or read the data of internal registers.

This protocol can support up to 32 devices cascaded in a data chain. The devices receive the chip index command after power up. The chip index command configures addresses of the devices from 0x00 up to 0x1F according to the sequence that receives the command. Then the controller can communicate with all the devices through the broadcast way or particular device through non-broadcast way.

The broadcast is mainly used to transmit function control commands. All the devices in a data chain receive the same data in this way. The non-broadcast is mainly used to transmit function control commands or display data, and each device receives its own data in this way. These two ways are distinguished by the command identification.

Dual-edge is designed to support more devices cascaded in a data chain.

8.5.1 Data Validity

The data on DIN wire must be stable at rising and falling edges of the SCLK in dual-edge transmission.

8.5.2 CCSI Frame Format

图 8-17 defines the format of the command and data transmission. There are four states in one frame.

- **IDLE:** SCLK is always existent and continuous, and DIN is always HIGH.
- **START:** DIN changes from HIGH to LOW after the IDLE states.
- **DATA:**
 - **Head_bytes:** command identifier that contains one 16-bit data and one check bit. It can be WRITE COMMAND ID or READ COMMAND ID (see [Register Maps](#) for more details).
 - **Data_bytes_N:** The Nth data-bytes, contains 3 × 17-bit data, each 17-bit data contains one 16-bit data and one check bit. N is the number of devices cascaded in a data chain.
- **END:** the device recognizes continuous 18-bit HIGH on DIN, then returns to IDLE state.
- **CHECK BIT:** the check bit (17th bit) value is the **NOT** of 16th bit value, to avoid continuous 18-bit HIGH (to distinguish with END).

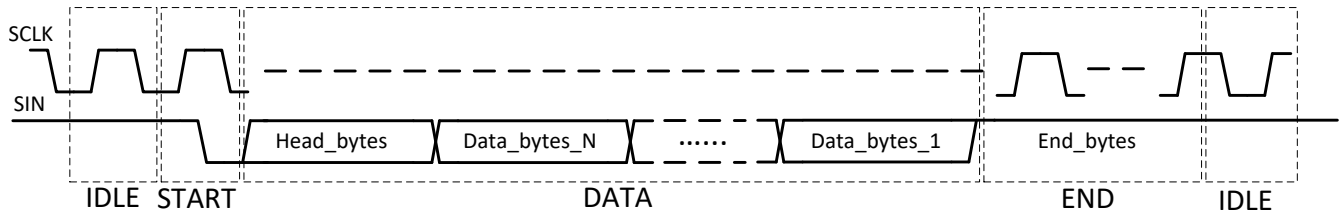


图 8-17. CCSI Frame

The IDLE state is not the necessary, that means the START state of next frame can connect to the END state of current frame.

8.5.3 Write Command

Take m devices cascaded in a data chain for example.

8.5.3.1 Chip Index Write Command

The chip index is used to set the identification of the device cascaded in a data chain. When the first device receives the chip index command Head_bytes1, it sets the current address to 00h and meanwhile change the chip index command Head_bytes2, then sends to the next device. When the device receives the Head_bytes2, it sets the address to 01h and meanwhile changes the chip index command Head_bytes3, then sends to the next device, likewise, all the cascaded devices get their unique identifications.

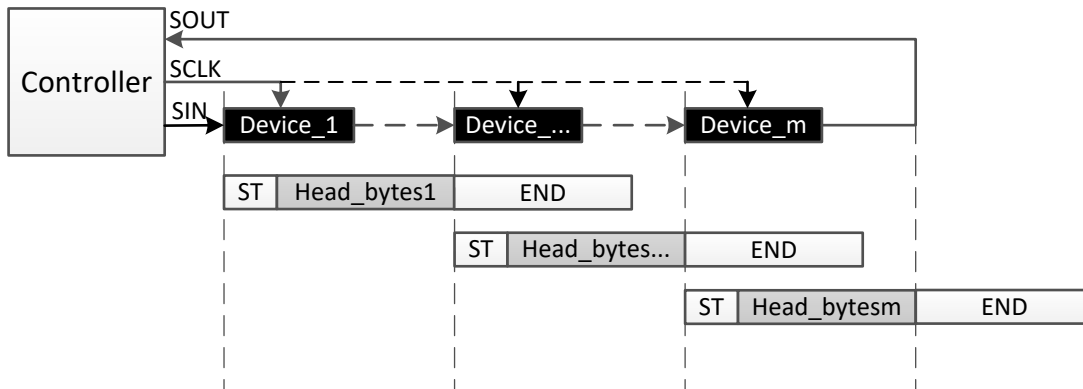


图 8-18. Chip Index Write Command

8.5.3.2 VSYNC Write Command

The VSYNC is used to sync the display of each frame for the devices in a cascaded chain. The VSYNC is a write-only command. The devices receive VSYNC command one time from the controller in each frame, and the VSYNC command must be active for all devices at the same time.

Because some devices receive the command earlier in the data chain, they must wait until the last device receives the command, then all the devices are active at that time. To realize such function, each device must know its delay time from receiving VSYNC command to enabling VSYNC. The device uses some register bits to restore the device number in a data chain. This number minuses the device identification, and the result is the delay time of the device.

Because the sync function has been done by the device, the controller must only send the VSYNC command to the first device in a data chain.

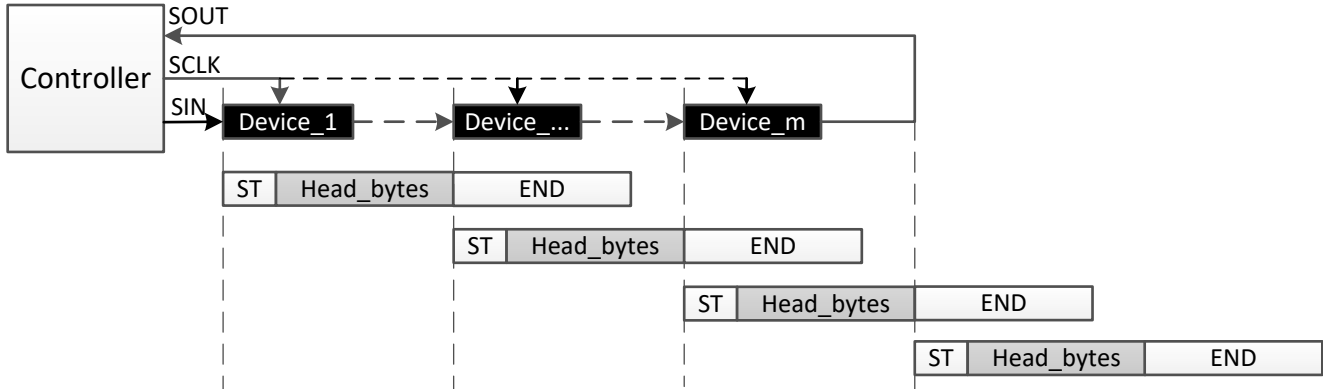


图 8-19. VSYNC Write Command

8.5.3.3 MPSM Write Command

The MPSM command is used to control the intelligent power save mode of devices in the same matrix. The device detects all zero data in a stackable module and receives MPSM command in current frame, then when VSYNC command comes, all devices in the same matrix turn off. After the device detects that there is non-zero display data of the next frame, it gets out from intelligent power save mode until MSPM command comes in current frame.

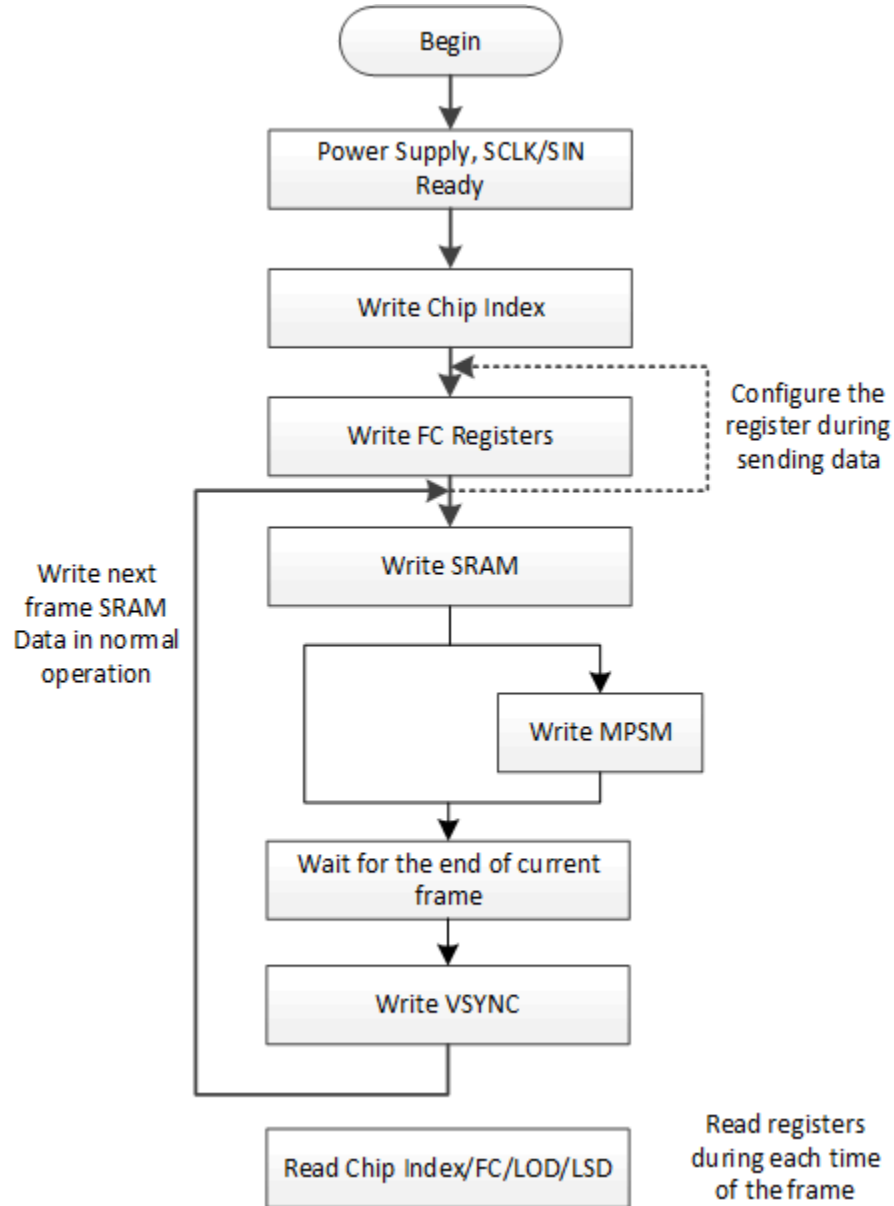


图 8-20. Design Procedure for MPSM Command

8.5.3.4 Standby Clear and Enable Command

Standby clear command and standby enable command are used to control intelligent power save mode of devices in the same daisy chain. When the device receives standby enable command, it enters to intelligent power save mode right away and does not have to wait for other devices in a module or daisy chain. After the device receives standby enable command, it exits from intelligent power save mode immediately and does not wait for other devices in a module or daisy chain.

8.5.3.5 Soft_Reset Command

The Soft_Reset Command is used to reset all the function registers to the default value, except for SRAM data. The format of this command is the same with VSYNC shown as [VSYNC Write Command](#). The difference is the headbytes.

8.5.3.6 Data Write Command

The device can receive the function control with broadcast and non-broadcast way, which depends on the configuration of the devices. If the cascaded devices have the same configuration, broadcast is used, if the cascaded devices have the different configurations, non-broadcast is used. The MSB is always transmitted first and the LSB transmitted last. For 48-bits RGB data, the Blue data must be transmitted first, then the Green, and last the Red data.

For broadcast, the devices receive the same data. When devices recognize the broadcast command, they copy the data to the internal registers. Generally, broadcast is used for write FC0-FC13 command, LOD/LSD.

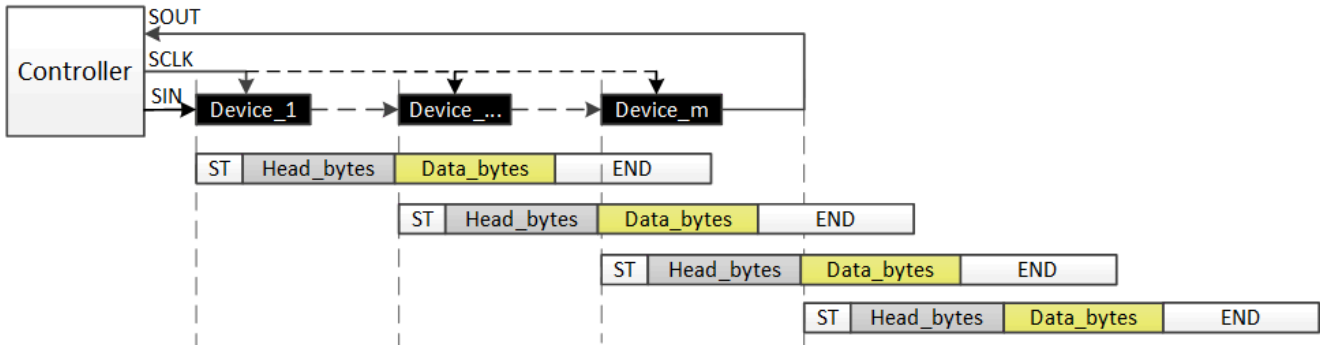


图 8-21. Data Write Command with Broadcast

图 8-22 shows the time diagram of the data write command with broadcast.

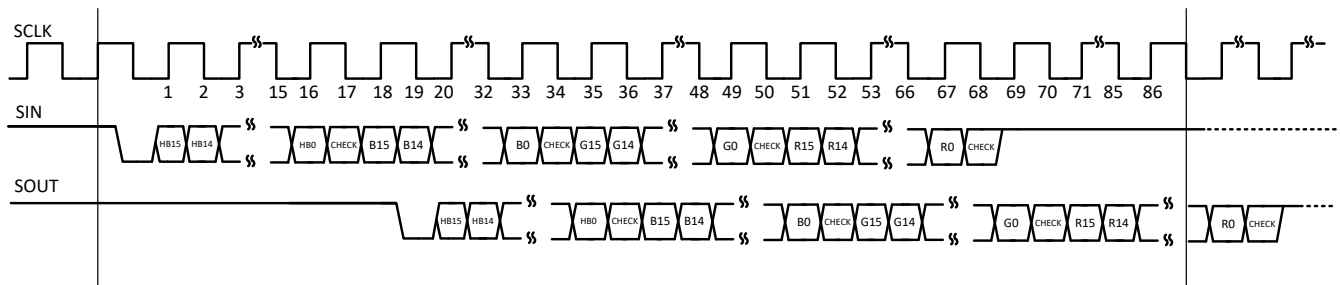


图 8-22. Data Write Command with Broadcast (Timing Diagram)

For non-broadcast, the devices receive the different data, the controller prepares the data as the figure shows. One pixel data is written to the corresponding device in each command. When the first device receives the END, it cuts off the last 51-bit (3×17 bit) data before the END, and the left are shifted out from SDO to the second device. Similarly, when the second device receives the END bytes from the former device, it cuts off the last 51-bit (3×17 bit) data before the END, and the left are shifted out to the next device. Generally, non-broadcast is used for write SRAM command (WRTGS), Details for how to write a frame data into memory bank can be found in [Write a Frame Data into Memory Book](#).

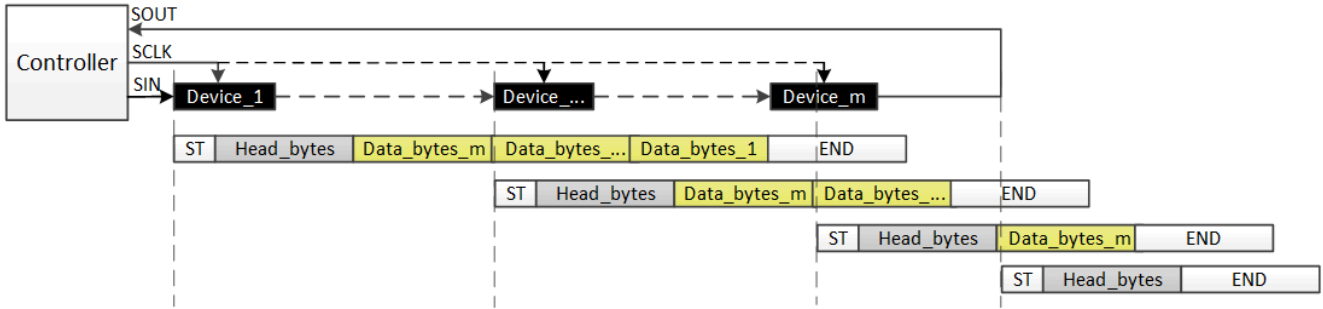


图 8-23. Data Write Command with Non-Broadcast

图 8-24 shows the time diagram of the data write command with non-broadcast.

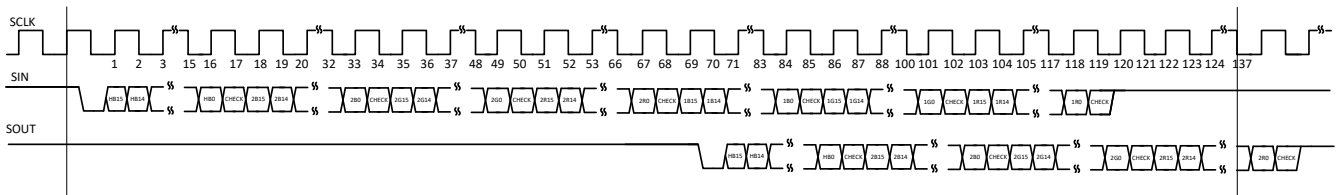


图 8-24. Data Write Command with Non-Broadcast (Timing Diagram)

8.5.4 Read Command

The controller sends the read command. When the first device receives this command, it inserts its 48-bit data before End_bytes, and meanwhile shifts out to the second device. When the second device receives this command, it inserts its 48-bit data before End_bytes and meanwhile shifts out to the third device. The data of all the device shifts out from the last device SOUT with this flow. It is always the MSB transmitted first and the LSB transmitted last.

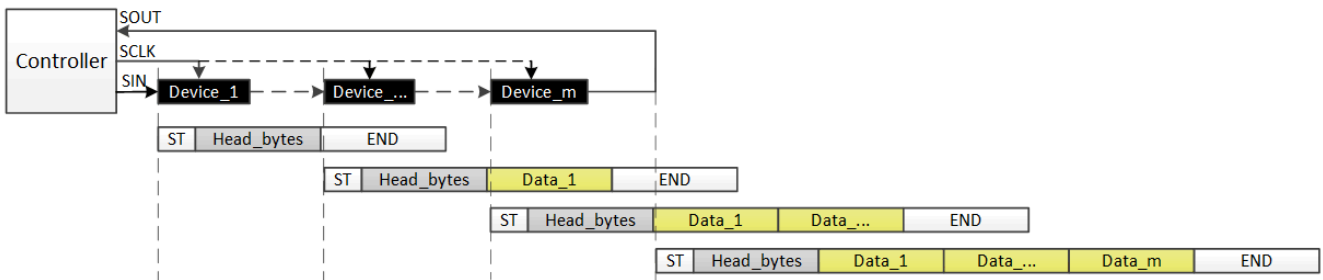


图 8-25. Data Read Command

8.6 PWM Grayscale Control

8.6.1 Grayscale Data Storage and Display

8.6.1.1 Memory Structure Overview

The TLC6984 implements a display memory unit to achieve high refresh rate and high contrast ratio in an LED display products. The internal display memory unit is divided into two BANKs: BANK A and BANK B. During the normal operation, one BANK is selected to display the data of current frame, another is used to restore the data of next frame. The BANK switcher is controlled by the BANK_SEL bit, which is an internal flag register bit.

After power on, BANK_SEL is initialized to 0, and BANK A is selected to restore the data of next frame. Meanwhile, the data in BANK B is read out for display. When one frame has elapsed, the controller sends the vertical synchronization (VSYNC) command to start the next frame, the BANK_SEL bit value is toggled and the selection of the two BANKs reverses. Repeat this operation until all the frame images are displayed.

With this method, the TLC6984 device can display the current frame image at a very high refresh rate. See [Figure 8-26](#) for more details about the BANK-selection exchange operation.

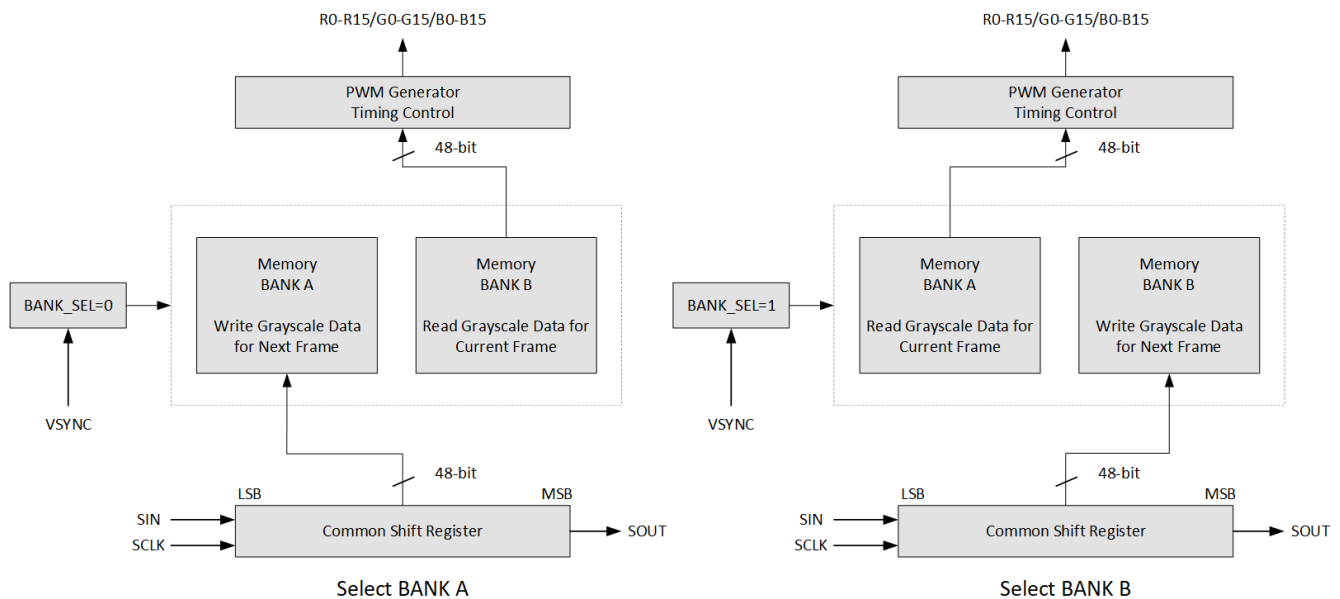


图 8-26. Bank Selection Exchange Operation

8.6.1.2 Details of Memory Bank

Each memory BANK contains the frame-image grayscale data of all the 64 lines. Each line comprises 16 48-bit-width memory units. Each memory unit contains the grayscale data of the corresponding R/G/B channels.

Depending on the number of scan lines set in SCAN_NUM (FC0 bit 21 to bit 16), the total number of memory units that must be written in one BANK is: $48 \times$ the number of scan lines. For example, if the number of scan lines is set to 64, then 3072 ($64 \times 48 = 3072$) memory units must be written during each frame period.

[Figure 8-27](#) shows the detailed memory structure of the TLC6984 device.

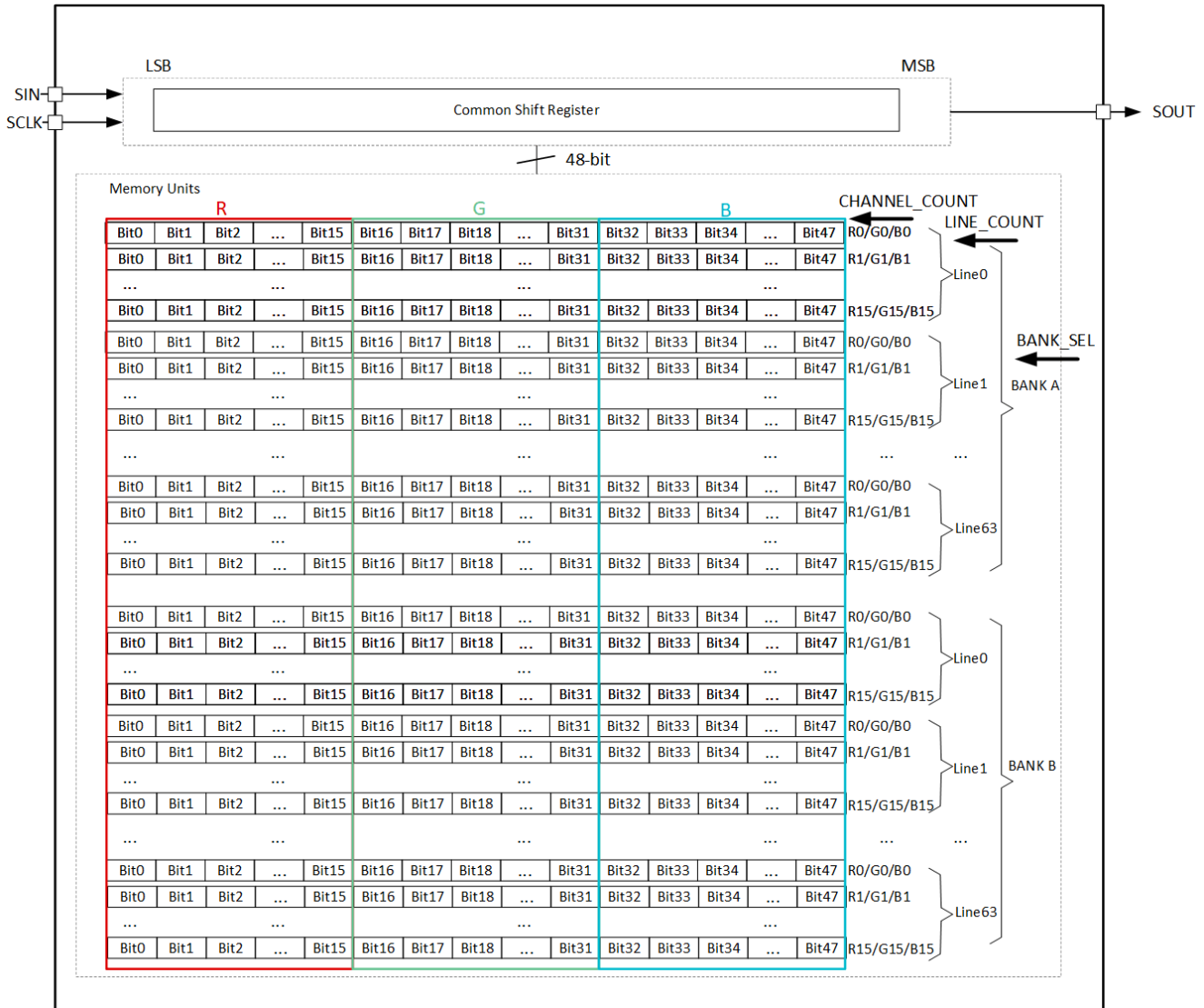


图 8-27. TLC6984 Memory-unit Structure

8.6.1.3 Write a Frame Data into Memory Bank

After power on, the TLC6984 internal flag BANK_SEL, and counters LINE_COUNT, CHANNEL_COUNT, are all initialized to 0. Thus, the memory unit of channel R0/G0/B0, locating in line 0 of BANK A, is selected to restore the data transmitted the first time after VSYNC command.

When the first WRTGS command is received, all the data in the common shift register is latched into the memory unit of channel R0/G0/B0, locating in line 0 of BANK A. Then CHANNEL_COUNT increases by 1 and LINE_COUNT stays the same. Thus, the memory unit of channel R1/G1/B1, locating in line 0 of BANK A, is selected to restore the data transmitted the second time after VSYNC command.

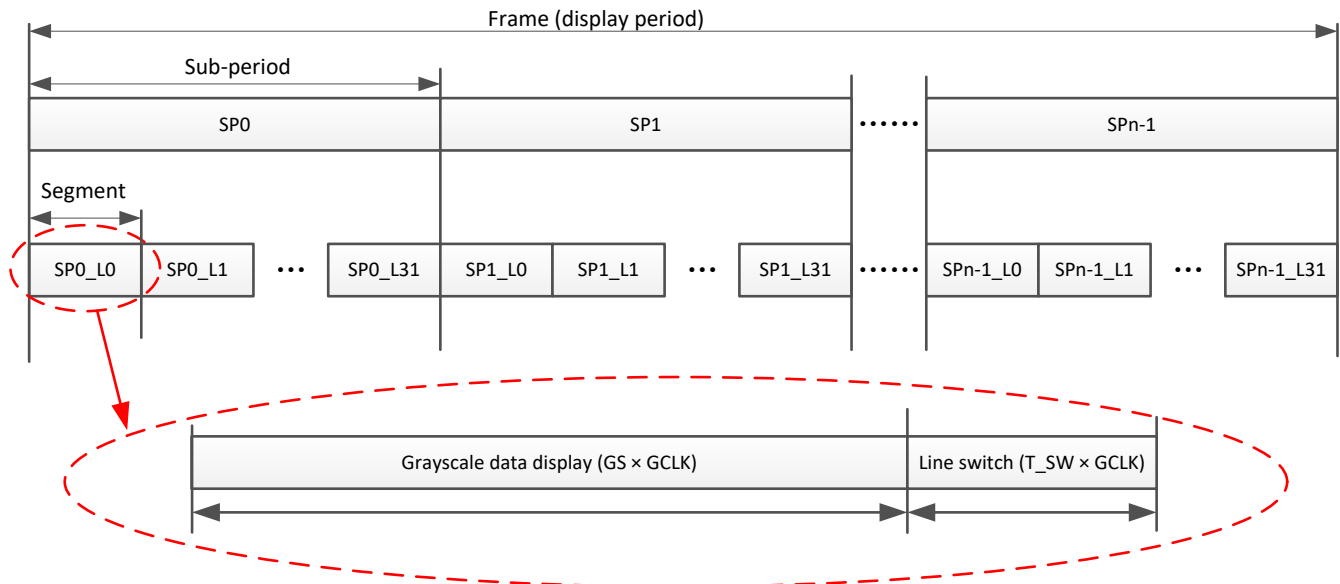
When the second WRTGS command is received, all the data in the common shift register is latched into the memory unit of channel R1/G1/B1, locating in line 0 of BANK A. Then CHANNEL_COUNT increases by 1 and LINE_COUNT stays the same. Thus, the memory unit of channel R2/G2/B2, locating in line 0 of BANK A, is selected to restore the data transmitted the third time after VSYNC command.

Repeat the grayscale-data-write operation until the 16th WRTGS command is received. Then CHANNEL_COUNT is reset to 0 and LINE_COUNT increases by 1. Thus, the memory unit of channel R0/G0/B0, locating in line 1 of BANK A, is selected to restore the data transmitted the 17th time after VSYNC command.

Repeat this operation for each line until the LINE_COUNT exceeds the number of scan lines set in the SCAN_NUM (See FC0 register bit21-16) and all scan lines have been updated with new GS data, which means one frame of GS data is restored into the memory BANK. Then the LINE_COUNT is reset to 0.

8.6.2 PWM Control for Display

To increase the refresh rate in time-multiplexing display system, an DS-PWM (Dynamic Spectrum- Pulse Width Modulation) algorithm is proposed in this device. One frame is divided into many segments shown as below. Note that one frame is divided into n sub-periods, n is set by SUBP_NUM (FC0 register bit24-22), and each sub-period is divided into 32 segments for 32 scan lines. Each segment contains GS GCLKs time for grayscale data display and T_SW GCLKs time for switching lines. GS is configured by the SEG_LENGTH (FC1 register bit9-0 in [表 8-8](#)), and T_SW is the line switch time, which is configured by the LINE_SWT (see FC1 register bit 40-37 in [表 8-8](#)).



Note that, SP0: Sub-period 0, L0: Scan line 0

图 8-28. DS-PWM Algorithm with 32 Scan Lines

The DS-PWM can not only increase the refresh rate meanwhile keep the same frame rate, but also decrease the brightness loss in low grayscale, which can smoothly increase the sub-period number when the grayscale data increases.

To achieve ultra-low luminance, the LED driver must have the ability to output a very short current pulse (1 GCLK time). However, because of the parasitic capacitor of the LEDs, such pulse can not turn on the LEDs. And the larger GCLK frequency is, the harder to turn on LEDs.

The DS-PWM algorithm has a parameter called sub-period threshold, which is used to calculate when to change sub-period number according to the giving grayscale data. Sub-period threshold defines the LED minimum turn-on time, so as to conquer the current loss caused by LED parasitic capacitor. Sub-period threshold is configured by the SUBP_TH_R/G/B (FC1 register bit24-10 in 表 8-8).

With DS-PWM algorithm, the brightness has smoothly increased with the gradient grayscale data.

8.7 Register Maps

表 8-5. Register Maps

| REGISTER NAME | TYPE | WRITE COMMAND ID | READ COMMAND ID | DESCRIPTION |
|----------------------|--------------|------------------|-----------------|--|
| FC0 | R/ \bar{W} | AA00h | AA60h | Common configuration |
| FC1 | R/ \bar{W} | AA01h | AA61h | Common configuration |
| FC2 | R/ \bar{W} | AA02h | AA62h | Common configuration |
| FC3 | R/ \bar{W} | AA03h | AA63h | Common configuration |
| FC4 | R/ \bar{W} | AA04h | AA64h | Common configuration |
| FC14 | R/ \bar{W} | AA0Eh | AA6Eh | Locate the line for LOD |
| FC15 | R/ \bar{W} | AA0Fh | AA6Fh | Locate the line for LSD |
| FC16 | R | | AAA0h | Read the lines' warning of LOD from 64th ~ 49th line |
| FC17 | R | | AAA1h | Read the lines' warning of LOD from 48th~1st line |
| FC18 | R | | AAA2h | Read the lines' warning of LSD from 64th ~ 49th line |
| FC19 | R | | AAA3h | Read the lines' warning of LSD from 48th~1st line |
| FC20 | R | | AAA4h | Read the channel's warning of LOD |

表 8-5. Register Maps (continued)

| REGISTER NAME | TYPE | WRITE COMMAND ID | READ COMMAND ID | DESCRIPTION |
|---------------|------|------------------|-----------------|---|
| FC21 | R | | AAA5h | Read the channel's warning of LSD |
| Chip Index | R/ W | AA10h | AA70h | Read/Write chip index |
| VSYNC | W | AAF0h | | Write VSYNC command |
| MPSM | W | AA90h | | Write matrix PSM command |
| SBY_CLR | W | AAB0h | | Write standby clear command |
| SBY_EN | W | AAB1h | | Write standby enable command |
| Soft_Reset | W | AA80h | | Reset the all the registers expect the SRAM |
| SRAM | W | AA30h | | Write or read the SRAM data |

表 8-6. Access Type Codes

| Access Type | Code | Description |
|------------------------|------|--|
| Read Type | | |
| R | R | Read |
| Write Type | | |
| W | W | Write |
| Reset or Default Value | | |
| -n | | Value after reset or the default value |

8.7.1 FC0

FC0 is shown in 图 8-29 and described in 表 8-7.

图 8-29. FC0 Register

| | | | | | | | | | | | | | | | |
|------------|----------|-------|-----------|----------|---------|-----------|----------|---------|-----------|-------------|------------|----------|---------|----|----|
| 47 | 46 | 45 | 44 | 43 | 42 | 41 | 40 | 39 | 38 | 37 | 36 | 35 | 34 | 33 | 32 |
| LSD_R M_EN | RESERVED | | GRP_DLY_B | | | GRP_DLY_G | | | GRP_DLY_R | | | RESERVED | | | |
| R/ W-0b | R/W-01b | | R/W-000b | | | R/W-000b | | | R/W-000b | | | R/ W-0b | R/W-00b | | |
| 31 | 30 | 29 | 28 | 27 | 26 | 25 | 24 | 23 | 22 | 21 | 20 | 19 | 18 | 17 | 16 |
| FREQ_MUL | | | FREQ_MOD | RESERVED | | | SUBP_NUM | | | SCAN_NUM | | | | | |
| R/W-0111b | | | R/ W-0b | R/W-000b | | | R/W-000b | | | R/W-000000b | | | | | |
| 15 | 14 | 13 | 12 | 11 | 10 | 9 | 8 | 7 | 6 | 5 | 4 | 3 | 2 | 1 | 0 |
| LODR M_EN | PSP_MOD | PS_EN | RESERVED | | | PDC_E N | RESERVED | | | CHIP_NUM | | | | | |
| R/ W-0b | R/W-00b | | R/ W-0b | R/ W-0b | R/ W-0b | R/ W-0b | R/ W-1b | R/ W-0b | R/ W-0b | R/ W-0b | R/W-00111b | | | | |

表 8-7. FC0 Register Field Descriptions

| Bit | Field | Type | Reset | Description |
|-----|----------|------|--------|---|
| 4-0 | CHIP_NUM | R/W | 00111b | Set the device number 00000b: 1 device ... 01111b: 16 devices ... 11111b: 32 devices |
| 7-5 | RESERVED | R/W | 000b | |

表 8-7. FC0 Register Field Descriptions (continued)

| Bit | Field | Type | Reset | Description |
|-------|-----------|------|---------|---|
| 8 | PDC_EN | R/W | 1b | Enable or disable pre-discharge function 0b: disable 1b: enable |
| 11-9 | RESERVED | R/W | 000b | |
| 12 | PS_EN | R/W | 0b | Enable or disable the power saving mode 0b: disable 1b: enable |
| 14-13 | PSP_MOD | R/W | 00b | Set the powering saving plus mode 00b: disable 01b: enable, when GSn(including the extending) \leq 1/4 segment_length, power saving during the off cycle. 10b: enable, when GSn(including the extending) \leq 1/2 segment_length, power saving during the off cycle. 11b: enable, when GSn(including the extending) \leq 7/8 segment_length, power saving during the off cycle. |
| 15 | LODRM_EN | R/W | 0b | Enable or disable the LED open load removal function 0b: disable 1b: enable |
| 21-16 | SCAN_NUM | R/W | 000000b | Set the scan line number 000000b: 1 line ... 001111b: 16 lines ... 011111b: 32 lines ... 111111b: 64 lines |
| 24-22 | SUBP_NUM | R/W | 000b | Set the subperiod number 000b: 16 001b: 32 010b: 48 011b: 64 100b: 80 101b: 96 110b: 112 111b: 128 |
| 27-25 | RESERVED | R/W | 000b | |
| 28 | FREQ_MOD | R/W | 0b | Set the GCLK multiplier mode 0b: high frequency mode, 80MHz to 160MHz 1b: low frequency mode, 40MHz to 80MHz |
| 32-29 | FREQ_MUL | R/W | 0111b | Set the GCLK multiplier frequency 0000b: 1 x SCLK frequency ... 0111b: 8 x SCLK frequency ... 1111b: 16 x SCLK frequency |
| 35-33 | LINE_CHRG | R/W | 000b | |
| 38-36 | GRP_DLY_R | R/W | 000b | Set the Red group delay, forward PWM mode only 000b: no delay 001b: 1 GCLK 010b: 2 GCLK 011b: 3 GCLK 100b: 4 GCLK 101b: 5 GCLK 110b: 6 GCLK 111b: 7 GCLK |

表 8-7. FC0 Register Field Descriptions (continued)

| Bit | Field | Type | Reset | Description |
|-------|-----------|------|-------|--|
| 41-39 | GRP_DLY_G | R/W | 000b | Set the Green group delay, forward PWM mode only 000b: no delay 001b: 1 GCLK 010b: 2 GCLK 011b: 3 GCLK 100b: 4 GCLK 101b: 5 GCLK 110b: 6 GCLK 111b: 7 GCLK |
| 44-42 | GRP_DLY_B | R/W | 000b | Set the Blue group delay, forward PWM mode only 000b: no delay 001b: 1 GCLK 010b: 2 GCLK 011b: 3 GCLK 100b: 4 GCLK 101b: 5 GCLK 110b: 6 GCLK 111b: 7 GCLK |
| 46-45 | RESERVED | R/W | 01b | |
| 47 | LSD_RM_EN | R/W | 0b | Enable or disable short LED caterpillar 0b: disable 1b: enable |

8.7.2 FC1

FC1 is shown in [图 8-30](#) and described in [表 8-8](#).

图 8-30. FC1 Register

| | | | | | | | | | | | | | | | |
|---------------|-------------|----|-----------|----|----|--------------------|------------|----|----|------------|-----------|----|----|--------------|----|
| 47 | 46 | 45 | 44 | 43 | 42 | 41 | 40 | 39 | 38 | 37 | 36 | 35 | 34 | 33 | 32 |
| RESE RVED | BLK_ADJ | | | | | | LINE_SWT | | | | LG_ENH_B | | | LG_EN H_G | |
| R-0b | R/W-000000b | | | | | | R/W-0111b | | | | R/W-0000b | | | | |
| 31 | 30 | 29 | 28 | 27 | 26 | 25 | 24 | 23 | 22 | 21 | 20 | 19 | 18 | 17 | 16 |
| LG_ENH_G | | | LG_ENH_R | | | LG_STEP_B | | | | LG_STEP_G | | | | | |
| R/W-0000b | | | R/W-0000b | | | R/W-01001b | | | | R/W-01001b | | | | | |
| 15 | 14 | 13 | 12 | 11 | 10 | 9 | 8 | 7 | 6 | 5 | 4 | 3 | 2 | 1 | 0 |
| LG_ST EP_G | LG_STEP_R | | | | | | SEG_LENGTH | | | | | | | | |
| R/W-01001b | | | | | | R/W-0'000'000'000b | | | | | | | | | |

表 8-8. FC1 Register Field Descriptions

| Bit | Field | Type | Reset | Description |
|-------|------------|------|----------------|---|
| 9-0 | SEG_LENGTH | R/W | 0'000'000'000b | Set the GCLK number in each segment 127d: 128 GCLK ... 1023d: 1024 GCLK others: 128 GCLK |
| 14-10 | LG_ENH_B | R/W | 01001b | Adjust the smooth of the brightness in low grayscale 00000b: level 1 ... 01111b: level 16 ... 11111b: level 32 |
| 19-15 | LG_ENH_G | R/W | 01001b | Adjust the smooth of the brightness in low grayscale 00000b: level 1 ... 01111b: level 16 ... 11111b: level 32 |
| 24-20 | LG_ENH_B | R/W | 01001b | Adjust the smooth of the brightness in low grayscale 00000b: level 1 ... 01111b: level 16 ... 11111b: level 32 |
| 28-25 | LG_STEP_R | R/W | 0000b | Adjust low grayscale enhancement of red channels 0000b: level 0 ... 0111b: level 7 ... 1111b: level 15 |
| 32-29 | LG_STEP_G | R/W | 0000b | Adjust low grayscale enhancement of green channels 0000b: level 0 ... 0111b: level 7 ... 1111b: level 15 |
| 36-33 | LG_STEP_B | R/W | 0000b | Adjust low grayscale enhancement of blue channels 0000b: level 0 ... 0111b: level 7 ... 1111b: level 15 |

表 8-8. FC1 Register Field Descriptions (continued)

| Bit | Field | Type | Reset | Description |
|-------|----------|------|---------|---|
| 40-37 | LINE_SWT | R/W | 0111b | Set the scan line switch time. 0000b: 45 GCLK 0001b: 2x30 GCLK ... 0111b: 8x30 GCLK ... 1111b: 16x30 GCLK |
| 46-41 | BLK_ADJ | R/W | 000000b | Set the black field adjustment 000000b: 0 GCLK ... 011111b: 31 GCLK ... 111111b: 63 GCLK |
| 47 | RESERVED | R | 0b | Reserved bit. |

8.7.3 FC2

FC2 is shown in 图 8-31 and described in 表 8-9.

图 8-31. FC2 Register

| 47 | 46 | 45 | 44 | 43 | 42 | 41 | 40 | 39 | 38 | 37 | 36 | 35 | 34 | 33 | 32 |
|--------------|--------------|----------|----|------------|----------------------|-----------------------|-----------------------|-----------------------|----------|----|----|--------------|----|----|----|
| MPSM_EN | RESE RVED | MOD_SIZE | | | SUBP_ MAX_2 56 | CH_B_ IMMU NITY | CH_G_ IMMU NITY | CH_R_ IMMU NITY | RESERVED | | | LG_COLOR_B | | | |
| R/ W-0b | R/ W-0b | R/W-111b | | | R/ W-0b | R/ W-1b | R/ W-1b | R/ W-1b | R/W-000b | | | R/W-0000b | | | |
| 31 | 30 | 29 | 28 | 27 | 26 | 25 | 24 | 23 | 22 | 21 | 20 | 19 | 18 | 17 | 16 |
| LG_COLOR_G | | | | LG_COLOR_R | | | | DE_COUPLE1_B | | | | DE_COUPLE1_G | | | |
| R/W-0000b | | | | R/W-0000b | | | | R/W-0000b | | | | R/W-0000b | | | |
| 15 | 14 | 13 | 12 | 11 | 10 | 9 | 8 | 7 | 6 | 5 | 4 | 3 | 2 | 1 | 0 |
| DE_COUPLE1_R | | | | V_PDC_B | | | | V_PDC_G | | | | V_PDC_R | | | |
| R/W-0000b | | | | R/W-0110b | | | | R/W-0110b | | | | R/W-0110b | | | |

表 8-9. FC2 Register Field Descriptions

| Bit | Field | Type | Reset | Description |
|-----|---------|------|-------|--|
| 3-0 | V_PDC_R | R/W | 0110b | Set the Red pre_discharge voltage (typical), the voltage value must not be higher than (VR-1.3 V). 0000b: 0.1 V 0001b: 0.2 V 0010b: 0.3 V 0011b: 0.4 V 0100b: 0.5 V 0101b: 0.6 V 0110b: 0.7 V 0111b: 0.8 V 1000b: 0.9 V 1001b: 1.0 V 1010b: 1.1 V 1011b: 1.3 V 1100b: 1.5 V 1101b: 1.7 V 1110b: 1.9 V 1111b: 2.1 V |

表 8-9. FC2 Register Field Descriptions (continued)

| Bit | Field | Type | Reset | Description |
|-------|--------------|------|-------|---|
| 7-4 | V_PDC_G | R/W | 0110b | Set the Green pre_discharge voltage (typical), the voltage value must not be higher than (VG-1.3V). 0000b: 0.1 V 0001b: 0.2 V 0010b: 0.3 V 0011b: 0.4 V 0100b: 0.5 V 0101b: 0.6 V 0110b: 0.7 V 0111b: 0.8 V 1000b: 0.9 V 1001b: 1.0 V 1010b: 1.1 V 1011b: 1.3 V 1100b: 1.5 V 1101b: 1.7 V 1110b: 1.9 V 1111b: 2.1 V |
| 11-8 | V_PDC_B | R/W | 0110b | Set the Blue pre_discharge voltage (typical), the voltage value must not be higher than (VB-1.3V). 0000b: 0.1V 0001b: 0.2 V 0010b: 0.3 V 0011b: 0.4 V 0100b: 0.5 V 0101b: 0.6 V 0110b: 0.7 V 0111b: 0.8 V 1000b: 0.9 V 1001b: 1.0 V 1010b: 1.1 V 1011b: 1.3 V 1100b: 1.5 V 1101b: 1.7 V 1110b: 1.9 V 1111b: 2.1 V |
| 15-12 | DE_COUPLE1_R | R/W | 0000b | Set the Red dummy rising one-shot level 0000b: level 1 (lowest) ... 0111b: level 8 (middle) ... 1111b: level 16(highest) |
| 19-16 | DE_COUPLE1_G | R/W | 0000b | Set the Green dummy rising one-shot level 0000b: level 1 (lowest) ... 0111b: level 8 (middle) ... 1111b: level 16(highest) |
| 23-20 | DE_COUPLE1_B | R/W | 0000b | Set the Blue dummy rising one-shot level 0000b: level 1 (lowest) ... 0111b: level 8 (middle) ... 1111b: level 16(highest) |
| 27-24 | LG_COLOR_R | R/W | 0000b | Set the Red rising one-shot level 0000b: level 1 (lowest) ... 0111b: level 8 (middle) ... 1111b: level 16(highest) |

表 8-9. FC2 Register Field Descriptions (continued)

| Bit | Field | Type | Reset | Description |
|-------|---------------|------|-------|--|
| 31-28 | LG_COLOR_G | R/W | 0000b | Set the Green rising one-shot level 0000b: level 1 (lowest) ... 0111b: level 8 (middle) ... 1111b: level 16(highest) |
| 35-32 | LG_COLOR_B | R/W | 0000b | Set the Blue rising one-shot level 0000b: level 1 (lowest) ... 0111b: level 8 (middle) ... 1111b: level 16(highest) |
| 38-36 | RESERVED | R/W | 000b | |
| 39 | CH_R_IMMUNITY | R/W | 1b | Set the immunity of the Red channels group 0b: high immunity 1b: low immunity |
| 40 | CH_G_IMMUNITY | R/W | 1b | Set the immunity of the Green channels group 0b: high immunity 1b: low immunity |
| 41 | CH_B_IMMUNITY | R/W | 1b | Set the immunity of the Blue channels group 0b: high immunity 1b: low immunity |
| 42 | SUBP_MAX_256 | R/W | 0b | Set the maximum subperiod to 256. 0b: disable 1b: enable |
| 45-43 | MOD_SIZE | R/W | 111b | Set the module size. 000b: 16x16 RGB pixels 001b:32x32 RGB pixels 010b:48x48 RGB pixels with D3 reverse, and scan sequence D1, D2, D3 48x48 RGB pixels with D3 reverse, and scan sequence D1, D3, D2 100b:48x64 RGB pixels with D3, D4 reverse, and scan sequence D1, D2, D3 101b:48x64 RGB pixels with D3,D4 reverse, and scan sequence D1, D3, D2 110b:64x64 RGB pixels with D3, D4 reserve, and scan sequence D1, D2, D3, D4 111b:64x64 RGB pixels with D3, D4 reverse,and scan sequence D1, D4, D2, D3 |
| 46 | RESERVED | R/W | 0b | |
| 47 | MPSM_EN | R/W | 0b | Enable or disable matrix power saving mode. 0b: disable 1b: enable |

8.7.4 FC3

FC3 is shown in [图 8-32](#) and described in [表 8-10](#).

图 8-32. FC3 Register

| | | | | | | | | | | | | | | | |
|----------------|----|----|----------|----|----|----------------|----|----|-----------|----|----|-----------|----|----|----|
| 47 | 46 | 45 | 44 | 43 | 42 | 41 | 40 | 39 | 38 | 37 | 36 | 35 | 34 | 33 | 32 |
| LSDVTH_B | | | LSDVTH_G | | | LSDVTH_R | | | LSD_RM | | | BC | | | |
| R/W-000b | | | R/W-000b | | | R/W-000b | | | R/W-0111b | | | R/W-0111b | | | |
| 31 | 30 | 29 | 28 | 27 | 26 | 25 | 24 | 23 | 22 | 21 | 20 | 19 | 18 | 17 | 16 |
| CC_B | | | | | | CC_G | | | | | | | | | |
| R/W-0111 1111b | | | | | | R/W-0111 1111b | | | | | | | | | |
| 15 | 14 | 13 | 12 | 11 | 10 | 9 | 8 | 7 | 6 | 5 | 4 | 3 | 2 | 1 | 0 |

图 8-32. FC3 Register (continued)

| | | | | | |
|----------------|----------------|--------------|----------|----------|----------|
| CC_R | LOD_L SD_RB | RESE RVED | LODVTH_B | LODVTH_G | LODVTH_R |
| R/W-0111 1111b | R/ W-0b | R/ W-0b | R/W-00b | R/W-00b | R/W-00b |

表 8-10. FC3 Register Field Descriptions

| Bit | Field | Type | Reset | Description |
|-------|------------|------|------------|---|
| 1-0 | LODVTH_R | R/W | 00b | Set the Red LED open load detection threshold 00b: (V _{LEDR} -0.2) V 01b: (V _{LEDR} -0.5) V 10b: (V _{LEDR} -0.9) V 11b: (V _{LEDR} -1.2) V |
| 3-2 | LODVTH_G | R/W | 00b | Set the Green LED open load detection threshold 00b: (V _{LEDG} -0.2) V 01b: (V _{LEDG} -0.5) V 10b: (V _{LEDG} -0.9) V 11b: (V _{LEDG} -1.2) V |
| 5-4 | LODVTH_B | R/W | 00b | Set the Blue LED open load detection threshold 00b: (V _{LEDB} -0.2) V 01b: (V _{LEDB} -0.5) V 10b: (V _{LEDB} -0.9) V 11b: (V _{LEDB} -1.2) V |
| 6 | RESERVED | R/W | 0b | |
| 7 | LOD_LSD_RB | R/W | 0b | Enable or disable the LOD and LSD readback function 0b: disabled 01b: enabled |
| 15-8 | CC_R | R/W | 0111 1111b | Set the Red color brightness level 0000 0000b: level 0 (lowest) ... 0111 1111b: level 127 (middle) ... 1111 1111b: level 255 (highest) |
| 23-16 | CC_G | R/W | 0111 1111b | Set the Green color brightness level 0000 0000b: level 0 (lowest) ... 0111 1111b: level 127 (middle) ... 1111 1111b: level 255 (highest) |
| 31-24 | CC_B | R/W | 0111 1111b | Set the Blue color brightness level 0000 0000b: level 0 (lowest) ... 0111 1111b: level 127 (middle) ... 1111 1111b: level 255 (highest) |
| 34-32 | BC | R/W | 011b | Set the global brightness level 000b: level 0 (lowest) ... 011b: level 3 (middle) ... 111b: level 7 (highest) |

表 8-10. FC3 Register Field Descriptions (continued)

| Bit | Field | Type | Reset | Description |
|-------|----------|------|-------|--|
| 38-35 | LSD_RM | R/W | 0111b | Set the LED short removal level 0000b: level 1 0001b: level 2 0010b: level 3 0011b: level 4 0100b: level 5 0101b: level 6 0110b: level 7 0111b: level 8 1000b: level 9 1001b: level 10 1010b: level 11 1011b: level 12 1100b: level 13 1101b: level 14 1110b: level 15 1111b: level 16 |
| 41-39 | LSDVTH_R | R/W | 000b | Set the Red LED short/weak short circuitry detection threshold (typical) 000b: 0.2 V 001b: 0.4 V 010b: 0.8 V 011b: 1.0 V 100b: 1.2 V 101b: 1.4 V 110b: 1.6 V 111b: 1.8 V |
| 44-42 | LSDVTH_G | R/W | 000b | Set the Green LED short/weak short circuitry detection threshold (typical) 000b: 0.2 V 001b: 0.4 V 010b: 0.8 V 011b: 1.2 V 100b: 1.6 V 101b: 2 V 110b: 2.4 V 111b: 2.8 V |
| 47-45 | LSDVTH_B | R/W | 000b | Set the Blue LED short/weak short circuitry detection threshold (typical) 000b: 0.2 V 001b: 0.4 V 010b: 0.8 V 011b: 1.2 V 100b: 1.6 V 101b: 2 V 110b: 2.4 V 111b: 2.8 V |

8.7.5 FC4

FC4 is shown in 图 8-33 and described in 表 8-11.

图 8-33. FC4 Register

| | | | | | | | | | | | | | | | |
|----------|----|----|-----------------------|------------|----|---------|----|--------------------|----------------|--------------|--------------|--------------|--------------|--------------|--------------|
| 47 | 46 | 45 | 44 | 43 | 42 | 41 | 40 | 39 | 38 | 37 | 36 | 35 | 34 | 33 | 32 |
| RESERVED | | | DE_C OUPL E3_EN | DE_COUPLE3 | | | | DE_C OUPL E2 | FIRST_LINE_DIM | | | | CAUR SE_B | CAUR SE_G | CAUR SE_R |
| R-000b | | | R/ W-0b | R/W-1000b | | | | R/ W-0b | R/W-0000b | | | | R/ W-0b | R/ W-0b | R/ W-0b |
| 31 | 30 | 29 | 28 | 27 | 26 | 25 | 24 | 23 | 22 | 21 | 20 | 19 | 18 | 17 | 16 |
| RESERVED | | | | SR_ON_B | | SR_ON_G | | SR_ON_R | | SR_OF F_B | SR_OF F_G | SR_OF F_R | FINE_ B | FINE_ G | FINE_ R |

图 8-33. FC4 Register (continued)

| | | | | | | | | | | | | | | | |
|--------------|--------------|---------------------|----|---------|----|---------|---|---------|---|--------|--------|--------|------------|---------------|--------|
| R/W-0000b | | | | R/W-01b | | R/W-01b | | R/W-01b | | R/W-0b | R/W-0b | R/W-0b | R/W-0b | R/W-0b | R/W-0b |
| 15 | 14 | 13 | 12 | 11 | 10 | 9 | 8 | 7 | 6 | 5 | 4 | 3 | 2 | 1 | 0 |
| RESE RVED | SCAN_ REV | RESERVED | | | | | | | | | | | IMAX | LAST_ SOUT | |
| R/ W-0b | R/ W-1b | R/W-0000 0000 1111b | | | | | | | | | | | R/ W-0b | R/ W-0b | |

表 8-11. FC4 Register Field Descriptions

| Bit | Field | Type | Reset | Description |
|-------|-----------|------|--------------------|---|
| 0 | LAST_SOUT | R/W | 0b | Enable or disable the last device's SOUT cut-off function 0b: disabled, last chip's SOUT shift out 1b: enabled, last chip's SOUT cut off, except for READ command |
| 1 | IMAX | R/W | 0b | Set the maximum current of each channel 0b: 10mA maximum 01b: 20 mA maximum |
| 13-2 | RESERVED | R/W | 0000 0000 1111b | |
| 14 | SCAN_REV | R/W | 1b | When 2 device stackable or 3 devices stackable, the scan lines PCB layout is reversed. For the proper scan and SRAM read sequence, SCAN_REV register is provided. 0b: the PCB layout sequence is L0-L15, L16-L31. 1b: the PCB layout sequence is L0-L15, L31-L16. |
| 15 | RESERVED | R/W | 0b | |
| 16 | FINE_R | R/W | 0b | Enable the Red brightness compensation level fine range 0b: disable. 1b: enable. |
| 17 | FINE_G | R/W | 0b | Enable the Green brightness compensation level fine range 0b: disable. 1b: enable. |
| 18 | FINE_B | R/W | 0b | Enable the Blue brightness compensation level fine range 0b: disable. 1b: enable. |
| 19 | SR_OFF_R | R/W | 0b | Slew rate control function when Red turns off operation 0b: slow slew rate. 1b: fast slew rate. |
| 20 | SR_OFF_G | R/W | 0b | Slew rate control function when Green turns off operation 0b: slow slew rate. 1b: fast slew rate. |
| 21 | SR_OFF_B | R/W | 0b | Slew rate control function when Blue turns off operation 0b: slow slew rate. 1b: fast slew rate. |
| 23-22 | SR_ON_R | R/W | 01b | Slew rate control function when Red turns on operation 00b: the slower slew rate. 01b: slow slew rate. 10b: fast slew rate. 11b: the faster slew rate. |
| 25-24 | SR_ON_G | R/W | 01b | Slew rate control function when Green turns on operation 00b: the slower slew rate. 01b: slow slew rate. 10b: fast slew rate. 11b: the faster slew rate. |
| 27-26 | SR_ON_B | R/W | 01b | Slew rate control function when Blue turns on operation 00b: the slower slew rate. 01b: slow slew rate. 10b: fast slew rate. 11b: the faster slew rate. |

表 8-11. FC4 Register Field Descriptions (continued)

| Bit | Field | Type | Reset | Description |
|-------|----------------|------|-------|---|
| 31-28 | RESERVED | R/W | 0000b | |
| 32 | CAURSE_R | R/W | 0b | Enable the Red brightness compensation level course tange 0b: disabled 1b: enabled |
| 33 | CAURSE_G | R/W | 0b | Enable the Green brightness compensation level course tange 0b: disabled 1b: enabled |
| 34 | CAURSE_B | R/W | 0b | Enable the Blue brightness compensation level course tange 0b: disabled 1b: enabled |
| 38-35 | FIRST_LINE_DIM | R/W | 0000b | Adjust the first line dim level 0000b: level 1 ... 0111b: level 8 ... 1111b: level 16 |
| 39 | DE_COUPLE2 | R/W | 0b | Decoupling between ON and OFF channels 0b: disabled 1b: enabled |
| 43-40 | DE_COUPLE3 | R/W | 1000b | Set decoupling enhancement level 0000b: level 1 ... 0111b: level 8 ... 1111b: level 16 |
| 44 | DE_COUPLE3_EN | R/W | 0b | Enable decoupling enhancement 0b: disabled 1b: enabled |
| 47-45 | RESERVED | R/W | 000b | |

8.7.6 FC14

FC14 is shown in [FC14 Register](#) and described in [FC14 Register Field Descriptions](#).

图 8-34. FC14 Register

| | | | | | | | | | | | | | | | |
|----------|----|----|----|----|----|----|----|----|----|--------------|----|----|----|----|----|
| 47 | 46 | 45 | 44 | 43 | 42 | 41 | 40 | 39 | 38 | 37 | 36 | 35 | 34 | 33 | 32 |
| RESERVED | | | | | | | | | | | | | | | |
| R-0b | | | | | | | | | | | | | | | |
| 31 | 30 | 29 | 28 | 27 | 26 | 25 | 24 | 23 | 22 | 21 | 20 | 19 | 18 | 17 | 16 |
| RESERVED | | | | | | | | | | | | | | | |
| R-0b | | | | | | | | | | | | | | | |
| 15 | 14 | 13 | 12 | 11 | 10 | 9 | 8 | 7 | 6 | 5 | 4 | 3 | 2 | 1 | 0 |
| RESERVED | | | | | | | | | | LOD_LINE_CMD | | | | | |
| R-0b | | | | | | | | | | R/W-000000b | | | | | |

表 8-12. FC14 Register Field Descriptions

| Bit | Field | Type | Reset | Description |
|------|--------------|------|---------|---|
| 5-0 | LOD_LINE_CMD | R/W | 000000b | Locate the line with LED open load warnings: 000000b: Line 0 ... 011111b: Line 31 ... 111111b: Line 63 |
| 47-6 | RESERVED | R | 0b | Reserved bits |

8.7.7 FC15

FC15 is shown in [FC15 Register](#) and described in [FC15 Register Field Descriptions](#).

图 8-35. FC15 Register

| | | | | | | | | | | | | | | | |
|----------|----|----|----|----|----|----|----|----|----|--------------|----|----|----|----|----|
| 47 | 46 | 45 | 44 | 43 | 42 | 41 | 40 | 39 | 38 | 37 | 36 | 35 | 34 | 33 | 32 |
| RESERVED | | | | | | | | | | | | | | | |
| R-0b | | | | | | | | | | | | | | | |
| 31 | 30 | 29 | 28 | 27 | 26 | 25 | 24 | 23 | 22 | 21 | 20 | 19 | 18 | 17 | 16 |
| RESERVED | | | | | | | | | | | | | | | |
| R-0b | | | | | | | | | | | | | | | |
| 15 | 14 | 13 | 12 | 11 | 10 | 9 | 8 | 7 | 6 | 5 | 4 | 3 | 2 | 1 | 0 |
| RESERVED | | | | | | | | | | LSD_LINE_CMD | | | | | |
| R-0b | | | | | | | | | | R/W-000000b | | | | | |

表 8-13. FC15 Register Field Descriptions

| Bit | Field | Type | Reset | Description |
|------|--------------|------|---------|---|
| 5-0 | LSD_LINE_CMD | R/W | 000000b | Locate the line with LED short circuitry warnings: 000000b: Line 0 ... 011111b: Line 31 ... 111111b: Line 63 |
| 47-6 | RESERVED | R | 0b | Reserved bits |

8.7.8 FC16

FC16 is shown in [FC16 Register](#) and described in [FC16 Register Field Descriptions](#).

图 8-36. FC16 Register

| | | | | | | | | | | | | | | | |
|----------------------|----|----|----|----|----|----|----|----|----|----|----|----|----|----|----|
| 47 | 46 | 45 | 44 | 43 | 42 | 41 | 40 | 39 | 38 | 37 | 36 | 35 | 34 | 33 | 32 |
| RESERVED | | | | | | | | | | | | | | | |
| R-0b | | | | | | | | | | | | | | | |
| 31 | 30 | 29 | 28 | 27 | 26 | 25 | 24 | 23 | 22 | 21 | 20 | 19 | 18 | 17 | 16 |
| RESERVED | | | | | | | | | | | | | | | |
| R-0b | | | | | | | | | | | | | | | |
| 15 | 14 | 13 | 12 | 11 | 10 | 9 | 8 | 7 | 6 | 5 | 4 | 3 | 2 | 1 | 0 |
| LOD_LINE_WARN[63:48] | | | | | | | | | | | | | | | |
| R-0b | | | | | | | | | | | | | | | |

表 8-14. FC16 Register Field Descriptions

| Bit | Field | Type | Reset | Description |
|-------|----------------------|------|-------|---|
| 15-0 | LOD_LINE_WARN[63:48] | R | 0b | Read the line with LED open load warnings: Bit 0 = 0, Line 48 has no warning; Bit 0 = 1, Line 48 has warning ... Bit 15 = 0, Line 63 has no warning; Bit 15 = 1, Line 63 has warning |
| 47-16 | RESERVED | R | 0b | Reserved bits |

8.7.9 FC17

FC17 is shown in [FC17 Register](#) and described in [FC17 Register Field Descriptions](#).

图 8-37. FC17 Register

| | | | | | | | | | | | | | | | |
|----|----|----|----|----|----|----|----|----|----|----|----|----|----|----|----|
| 47 | 46 | 45 | 44 | 43 | 42 | 41 | 40 | 39 | 38 | 37 | 36 | 35 | 34 | 33 | 32 |
|----|----|----|----|----|----|----|----|----|----|----|----|----|----|----|----|

图 8-37. FC17 Register (continued)

| | | | | | | | | | | | | | | | |
|---------------------|----|----|----|----|----|----|----|----|----|----|----|----|----|----|----|
| LOD_LINE_WARN[47:0] | | | | | | | | | | | | | | | |
| R-0b | | | | | | | | | | | | | | | |
| 31 | 30 | 29 | 28 | 27 | 26 | 25 | 24 | 23 | 22 | 21 | 20 | 19 | 18 | 17 | 16 |
| LOD_LINE_WARN[47:0] | | | | | | | | | | | | | | | |
| R-0b | | | | | | | | | | | | | | | |
| 15 | 14 | 13 | 12 | 11 | 10 | 9 | 8 | 7 | 6 | 5 | 4 | 3 | 2 | 1 | 0 |
| LOD_LINE_WARN[47:0] | | | | | | | | | | | | | | | |
| R-0b | | | | | | | | | | | | | | | |

表 8-15. FC17 Register Field Descriptions

| Bit | Field | Type | Reset | Description |
|------|---------------------|------|-------|---|
| 47-0 | LOD_LINE_WARN[47:0] | R | 0b | Read the line with LED open load warnings: Bit 0 = 0, Line 0 has no warning; Bit 0 = 1, Line 0 has warning ... Bit 47 = 0, Line 47 has no warning; Bit 47 = 1, Line 47 has warning |

8.7.10 FC18

FC18 is shown in [FC18 Register](#) and described in [FC18 Register Field Descriptions](#).

图 8-38. FC18 Register

| | | | | | | | | | | | | | | | |
|----------------------|----|----|----|----|----|----|----|----|----|----|----|----|----|----|----|
| 47 | 46 | 45 | 44 | 43 | 42 | 41 | 40 | 39 | 38 | 37 | 36 | 35 | 34 | 33 | 32 |
| RESERVED | | | | | | | | | | | | | | | |
| R-0b | | | | | | | | | | | | | | | |
| 31 | 30 | 29 | 28 | 27 | 26 | 25 | 24 | 23 | 22 | 21 | 20 | 19 | 18 | 17 | 16 |
| RESERVED | | | | | | | | | | | | | | | |
| R-0b | | | | | | | | | | | | | | | |
| 15 | 14 | 13 | 12 | 11 | 10 | 9 | 8 | 7 | 6 | 5 | 4 | 3 | 2 | 1 | 0 |
| LSD_LINE_WARN[63:48] | | | | | | | | | | | | | | | |
| R-0b | | | | | | | | | | | | | | | |

表 8-16. FC18 Register Field Descriptions

| Bit | Field | Type | Reset | Description |
|-------|----------------------|------|-------|---|
| 16-0 | LSD_LINE_WARN[63:48] | R | 0b | Read the line with LED short circuitry warnings: Bit 0 = 0, Line 48 has no warning; Bit 0 = 1, Line 48 has warning ... Bit 15 = 0, Line 63 has no warning; Bit 15 = 1, Line 63 has warning |
| 47-16 | RESERVED | R | 0b | Reserved bits |

8.7.11 FC19

FC19 is shown in [FC19 Register](#) and described in [FC19 Register Field Descriptions](#).

图 8-39. FC19 Register

| | | | | | | | | | | | | | | | |
|---------------------|----|----|----|----|----|----|----|----|----|----|----|----|----|----|----|
| 47 | 46 | 45 | 44 | 43 | 42 | 41 | 40 | 39 | 38 | 37 | 36 | 35 | 34 | 33 | 32 |
| LSD_LINE_WARN[47:0] | | | | | | | | | | | | | | | |
| R-0b | | | | | | | | | | | | | | | |
| 31 | 30 | 29 | 28 | 27 | 26 | 25 | 24 | 23 | 22 | 21 | 20 | 19 | 18 | 17 | 16 |
| LSD_LINE_WARN[47:0] | | | | | | | | | | | | | | | |
| R-0b | | | | | | | | | | | | | | | |
| 15 | 14 | 13 | 12 | 11 | 10 | 9 | 8 | 7 | 6 | 5 | 4 | 3 | 2 | 1 | 0 |

图 8-39. FC19 Register (continued)

| |
|---------------------|
| LSD_LINE_WARN[47:0] |
| R-0b |

表 8-17. FC19 Register Field Descriptions

| Bit | Field | Type | Reset | Description |
|------|---------------------|------|-------|---|
| 47-0 | LSD_LINE_WARN[47:0] | R | 0b | Read the line with LED short circuitry warnings: Bit 0 = 0, Line 0 has no warning; Bit 0 = 1, Line 0 has warning ... Bit 47 = 0, Line 47 has no warning; Bit 47 = 1, Line 47 has warning |

8.7.12 FC20

FC20 is shown in [FC20 Register](#) and described in [FC20 Register Field Descriptions](#).

图 8-40. FC20 Register

| | | | | | | | | | | | | | | | |
|--------|----|----|----|----|----|----|----|----|----|----|----|----|----|----|----|
| 47 | 46 | 45 | 44 | 43 | 42 | 41 | 40 | 39 | 38 | 37 | 36 | 35 | 34 | 33 | 32 |
| LOD_CH | | | | | | | | | | | | | | | |
| R-0b | | | | | | | | | | | | | | | |
| 31 | 30 | 29 | 28 | 27 | 26 | 25 | 24 | 23 | 22 | 21 | 20 | 19 | 18 | 17 | 16 |
| LOD_CH | | | | | | | | | | | | | | | |
| R-0b | | | | | | | | | | | | | | | |
| 15 | 14 | 13 | 12 | 11 | 10 | 9 | 8 | 7 | 6 | 5 | 4 | 3 | 2 | 1 | 0 |
| LOD_CH | | | | | | | | | | | | | | | |
| R-0b | | | | | | | | | | | | | | | |

表 8-18. FC20 Register Field Descriptions

| Bit | Field | Type | Reset | Description |
|------|--------|------|-------|--|
| 47-0 | LOD_CH | R | 0b | Locate the LED open load channel: Bit 0 = 0, CH 0 is normal; Bit 0 = 1, CH 0 is short circuitry ... Bit 47 = 0, CH 47 is normal; Bit 47 = 1, CH 47 is short circuitry |

8.7.13 FC21

FC21 is shown in [FC21 Register](#) and described in [FC21 Register Field Descriptions](#).

图 8-41. FC21 Register

| | | | | | | | | | | | | | | | |
|--------|----|----|----|----|----|----|----|----|----|----|----|----|----|----|----|
| 47 | 46 | 45 | 44 | 43 | 42 | 41 | 40 | 39 | 38 | 37 | 36 | 35 | 34 | 33 | 32 |
| LSD_CH | | | | | | | | | | | | | | | |
| R-0b | | | | | | | | | | | | | | | |
| 31 | 30 | 29 | 28 | 27 | 26 | 25 | 24 | 23 | 22 | 21 | 20 | 19 | 18 | 17 | 16 |
| LSD_CH | | | | | | | | | | | | | | | |
| R-0b | | | | | | | | | | | | | | | |
| 15 | 14 | 13 | 12 | 11 | 10 | 9 | 8 | 7 | 6 | 5 | 4 | 3 | 2 | 1 | 0 |
| LSD_CH | | | | | | | | | | | | | | | |
| R-0b | | | | | | | | | | | | | | | |

表 8-19. FC21 Register Field Descriptions

| Bit | Field | Type | Reset | Description |
|------|--------|------|-------|--|
| 47-0 | LSD_CH | R | 0b | Locate the LED short circuitry channel: Bit 0 = 0, CH 0 is normal; Bit 0 = 1, CH 0 is short circuitry ... Bit 47 = 0, CH 47 is normal; Bit 47 = 1, CH 47 is short circuitry |

9 Application and Implementation

备注

Information in the following applications sections is not part of the TI component specification, and TI does not warrant its accuracy or completeness. TI's customers are responsible for determining suitability of components for their purposes, as well as validating and testing their design implementation to confirm system functionality.

9.1 Application Information

The TLC6984 integrates 48 constant current sources and 16 scanning FETs. A single TLC6984 is capable of driving 16×16 RGB LED pixels while stacking two TLC6984s can drive 32×32 RGB LED pixels. To achieve low power consumption, the TLC6984 supports separated power supplies for the red, green, and blue LEDs by its common cathode structure.

The TLC6984 implements a high speed dual-edge transmission interface (up to 25 MHz) to support high device count daisy-chained and high refresh rate while minimizing electrical-magnetic interference (EMI). SCLK must be continuous, no matter there are data on SIN or not, because SCLK is not only used to sample the data on SIN, but also used as a clock source to generate GCLK by internal frequency multiplier. Based on dual-edge CCSI protocol, all the commands/FC registers/SRAM data are written from the SIN input terminal, and all the FC registers/ LED open and short flag can be read out from the SOUT output terminal. Moreover, the device supports up to 160-MHz GCLK frequency and can achieve 16-bit PWM resolution, with 3840 Hz or even higher refresh rate.

Meanwhile, the TLC6984 integrates enhanced circuits and intelligent algorithms to solve the various display challenges in Narrow Pixel Pitch (NPP) LED display applications and mini and micro-LED products: dim at the first scan line, upper and downside ghosting, non-uniformity in low grayscale, coupling, caterpillar caused by open or short LEDs, which make the TLC6984 a perfect choice in such applications.

The TLC6984 also implements LED open and weak, short and short detections and removals during operations and can also report this information out to the accompanying digital processor.

9.2 Typical Application

The TLC6984 is typically connected in series in a daisy-chain to drive the LED matrix with only a few controller ports. [图 9-1](#) shows a typical application diagram with two TLC6984 devices stackable connection to drive 32×32 RGB LED pixels.

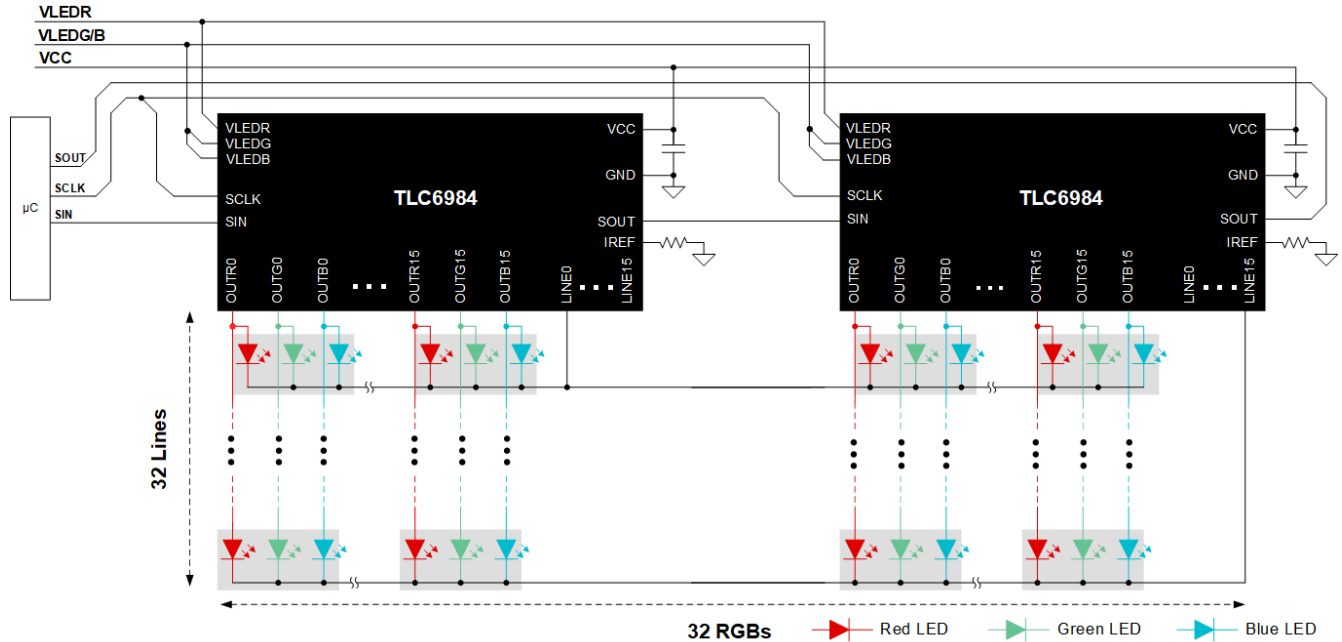


图 9-1. TLC6984 With Dual Devices Stackable Connection

9.2.1 Design Requirements

Taking 4K micro-LED television for example, the resolution of the screen is 3840 × 2160, and the screen consists of many modules. The following sections show an example to build a LED display module with 240 × 180 pixels.

The example uses the following values as the system design parameters.

表 9-1. TLC6984 Design Parameters

| DESIGN PARAMETER | EXAMPLE VALUE |
|---------------------------------------|---|
| V_{CC} and V_R | 2.8 V |
| V_G and V_B | 3.8 V |
| Maximum current per LED | $I_{RED} = 3 \text{ mA}$, $I_{GREEN} = 2 \text{ mA}$, $I_{BLUE} = 1 \text{ mA}$ |
| PWM resolution | 14 bits |
| Frame rate | 120 Hz |
| Refresh rate | 3840 Hz |
| Display module size | 240 × 180 pixels |
| cascaded devices number | 8 |
| devices number per LED display module | 96 |

9.2.1.1 System Structure

To build an LED display module with 240 × 180 pixels, 96 TLC6984s are required.

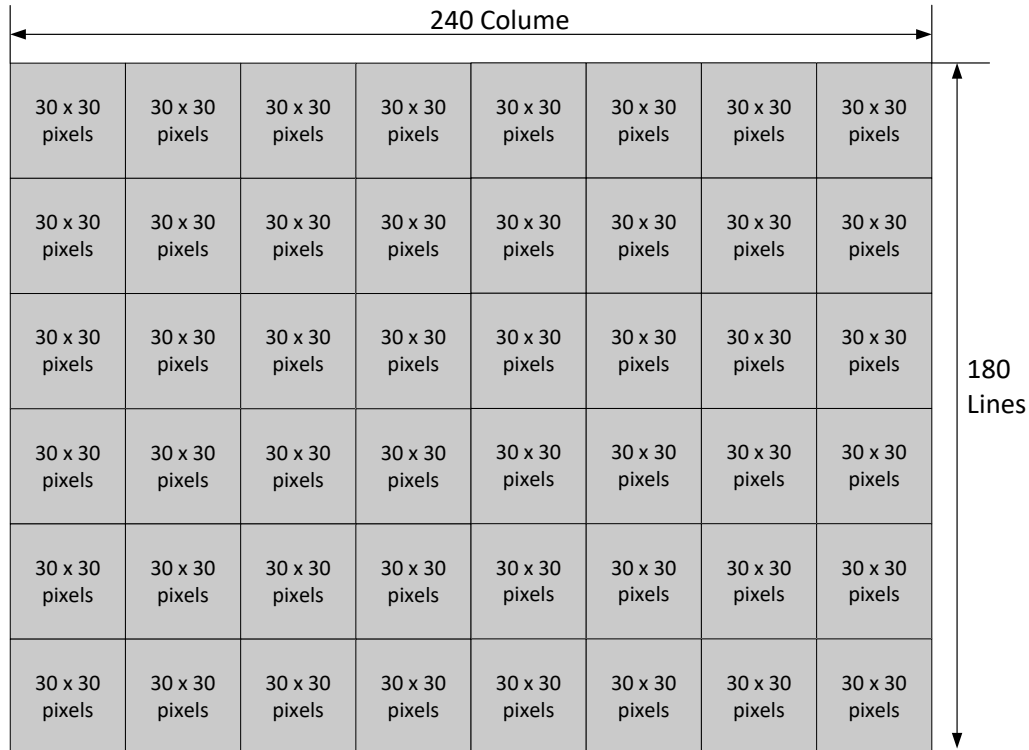


图 9-2. LED Display Module

As shown in 图 9-2, the total module can be divided into 48 32×32 matrix. Each matrix includes two devices with stackable connection.

备注

To achieve the best performance, TI suggests to distribute the redundant channels and lines to each 32×32 matrix. For this case, two Red/Green/Blue channels and two lines are not used in each matrix. And these unused pins can be floated. For the software, TI suggests zero data is to send to the unused channels. There is no must send the zero data to unused lines.

9.2.1.2 SCLK Frequency

The SCLK frequency is determined by the data volume of one frame and frame rate. In this application, the data volume V_Data is $30 \times 32 \times 48 \text{ bits} \times 4 = 184.32 \text{ Kb}$, the frame rate is 120 Hz. Suppose the data transmission efficiency is 0.8, the minimum frequency of SCLK must be: $f_{SCLK} = V_Data \times f_{frame} / 0.8$. So the minimum SCLK frequency is 13.83 MHz with dual-edge transmission.

9.2.1.3 Internal GCLK Frequency

The internal GCLK frequency is configured by the Frequency Multiplier (FREQ_MUL), and is determined by the PWM resolution. The GCLK frequency can be calculated by the below equations:

$$N_{sub_period} = \frac{f_{refresh_rate}}{f_{frame_rate}}$$

$$GS_{max} = 2^K$$

$$GS_{max} = N_{GCLK_Seg} \times N_{sub_period}$$

$$\frac{1}{f_{frame_rate}} = \left(\frac{N_{GCLK_Seg}}{f_{GCLK}} + T_{SW} \right) \times N_{scan_line} \times N_{sub_period} + T_{Blank} \quad (3)$$

where

- $f_{refresh_rate}$ means the refresh rate
- f_{frame_rate} means the frame rate
- K means the PWM resolution
- N_{sub_period} means the sub-period numbers within one frame
- N_{GCLK_seg} means the GCLK number per segment (Line switch time excluded)
- f_{GCLK} means GCLK frequency
- T_{SW} means line switching time
- N_{scan_line} means the scan line number
- T_{blank} means the blank time in one frame, equals to 0 in ideal configuration
- GS_{max} means the maximum grayscale that the device can output in one frame

表 9-2 gives the values based on the system configuration and equation.

表 9-2. TLC6984 Design Parameters for GCLK Frequency Calculation

| DESIGN PARAMETER | EXAMPLE VALUE |
|-------------------|---------------|
| N_{sub_period} | 32 |
| N_{scan_line} | 30 |
| T_{SW} | 1.5 μ s |
| T_{blank} | 0 |
| N_{GCLK_seg} | 512 |
| GS_{max} | 16383 |
| f_{GCLK} | 71.3 MHz |

Considering SCLK frequency and FREQ_MUL, the SCLK can be 13.9 MHz, and FREQ_MUL can be 6. So the GCLK is 83.4 MHz.

9.2.1.4 Line Switch Time

The line switch time is digitalized with the GCLK number and can be set by the LINE_SWT (Bit 40-37 in FC1 register). In this application, it is 1.5 μ s \times 83.4 MHz = 125 GCLKs, so the LINE_SWT equals to 0011b (120 GCLKs), the actual line switch time is 1.44 μ s.

9.2.1.5 Blank Time Removal

The TLC6984 has an algorithm to distribute the blank time into each subperiod to prevent the black field when taking photos or video.

From Equation 3, 83.4-MHz GCLK frequency and 1.44- μ s line switch time, the calculated blank time is 1.059 ms (88280 GCLK), which is too long and brings black field.

Here are detailed steps of the algorithm.

Step 1: Distribute blank time into each segment

When the blank GCLK number is larger than $N_{sub_period} \times N_{scan_line}$, it can be distributed into each segment.

In this application, the blank GCLK number is 88280, and $N_{sub_period} \times N_{scan_line}$ is 960, so the distributed GCLK number in each segment is $88280/960 = 91...920$. These 91GCLKs can be used to increase PWM length or extend line switch time. If used to increase PWM length, the GCLK number in each segment is $512 + 91 = 603$, so the SEG_LENGTH (Bit9-0 in FC1 register) is 1001011010b.

Step 2: Distribute blank time into each sub-period

If the left GCLK number is larger than N_{sub_period} , it can be distributed into each sub-period.

In this application, the left GCLK is 697, the distributed GCLK number in each sub-period is $920/32 = 28...24$. The BLK_ADJ (Bit46-41 in FC1 register) is 011100b.

After distributing into each sub-period, the left GCLK number is 24, which is about 300 ns, this time is too short to bring black field.

9.2.1.6 BC and CC

Select the reference current-setting resistor R_{IREF} and configure a proper BC value to set the maximum current of the RGB LEDs (see [Brightness Control \(BC\) Function](#) for more details). Here the maximum current is 3 mA, BC value is 03h, according to equation [方程式 1](#), the reference resistor value is $0.8 \text{ V}/3 \text{ mA} \times 85.33 = 22.75 \text{ k}\Omega$.

Configure the CC_R/CC_G/CC_B registers to set the current of Red/ Green/Blue LED current to 3 mA/2 mA/1 mA (see [Color Brightness Control \(CC\) Function](#) for more details).

[表 9-3](#) shows the reference current setting resistor R_{IREF} , BC and CC_R/CC_G/CC_B register value.

表 9-3. Current Setting Value

| DESIGN PARAMETER | EXAMPLE VALUE |
|------------------|------------------|
| R_{IREF} | 22.75 k Ω |
| BC | 011 b |
| CC_R | 11111111 b |
| CC_G | 10101001 b |
| CC_B | 01010100 b |

9.2.2 Detailed Design Procedure

图 9-3 给出了 LED 显示的详细设计程序。在电源开启且数字信号就绪后，控制器的第一步是发送芯片索引命令，让设备知道它们的身份。然后，控制器将配置数据发送到 FC 寄存器。在此之后，它在每帧的开始处发送 VSYNC 信号，并将数据发送到每个设备。设备在 VSYNC 到来时显示上一帧的数据，同时接收来自控制器的当前帧数据。寄存器可以在帧的任何时候读取。

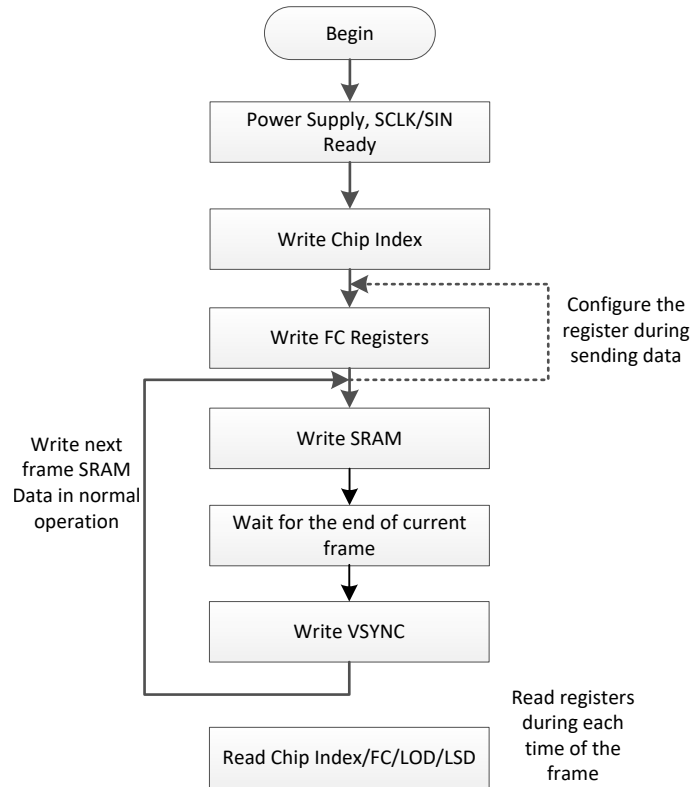


图 9-3. Design Procedure for LED Display

9.2.2.1 Chip Index Command

The chip index is used to distribute the address of the devices in a data chain. Each device gets its unique address by this command. Details can be found in [Chip Index Write Command](#).

9.2.2.2 FC Registers Settings

Some bits of FC0, FC1, FC2, FC3 registers must be configured properly before the devices work normally. In this application, the registers value can be:

表 9-4. FC Registers Value

| FC Registers | Register Value (BIN) | Register Value (HEX) |
|--------------|---|----------------------|
| FC0 | 0010 0000 0000 0000 1011 1000 0101 1101 1000 0001 0000 0111 b | 2000 B85D 8107h |
| FC1 | 0010 1010 1110 0000 0000 0000 1001 0100 1010 0110 0011 0001 b | 2AE0 0094 A631 h |
| FC2 | 0000 1011 1000 0000 0000 0000 0000 0000 1010 1010 0000 b | 0B80 0000 0AA0 h |
| FC3 | 0000 0000 0011 1011 0101 0100 1010 1001 1111 1111 0000 0000 b | 003B 54A9 FF00 h |

FC6, FC7, FC8, FC9, FC10, FC11, FC12, FC13 registers are used for programmable scanning sequence function.

The controller can configure the FC by the data write command with broadcast mode (see [Data Write Command](#) for more detail). The FC0, FC1 registers are updated after the VSYNC command comes, and the other FC registers are updated right away regardless the VSYNC command.

9.2.2.3 Grayscale Data Write

The channel grayscale data is written to SRAM of the device by the data write command with non-broadcast way. Details can be found in [Data Write Command](#) and [Write a Frame Data into Memory Book](#).

[Data Write Flow](#) is the data write flow for this application, $P(i, j)$ is the data of pixel locating in $i + 1$ row and $j + 1$ column. Suppose channel R15/G15/B15 of each device is not used and not connected, the channel R14/G14/B14 is connected to $P(i, 0)$, the channel R13/G13/B13 is connected to $P(i, 1), \dots$, and channel R0/G0/B0 is connected to $P(i, 14)$. The data of unused channel must be zero noting D_Zero in below figure, and $D_Zero = 00000000000000001\ 00000000000000001\ 00000000000000001b$.

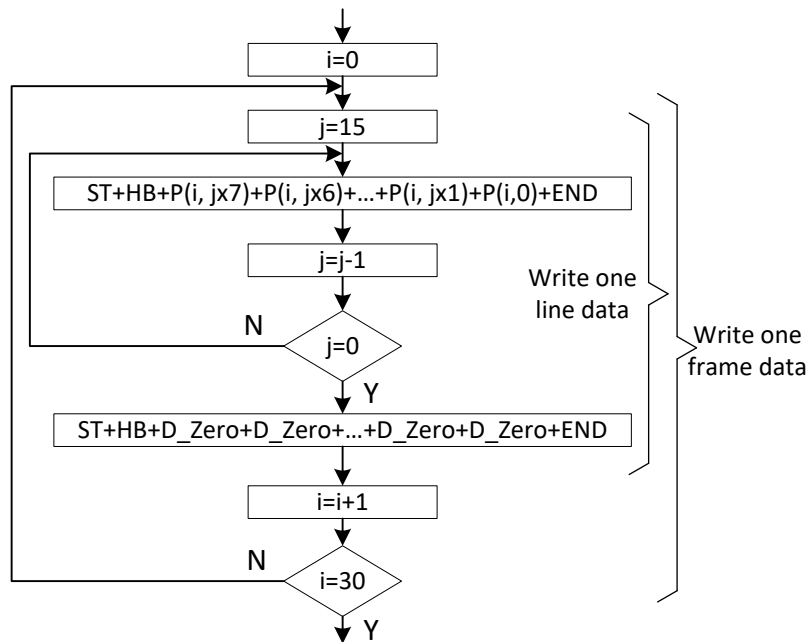


图 9-4. Data Write Flow

9.2.2.4 VSYNC Command

The VSYNC is used to sync the display of each frame for the devices in a cascaded chain. Details can be found in [VSYNC Write Command](#).

9.2.2.5 LED Open and Short Read

FC14, FC15, FC16, FC17, FC18, FC19, FC20, FC21 are the read command for LOD/LSD information. Details can be found in [Read LED-open Information](#) and [Read LED-short Information](#).

9.2.3 Application Curves

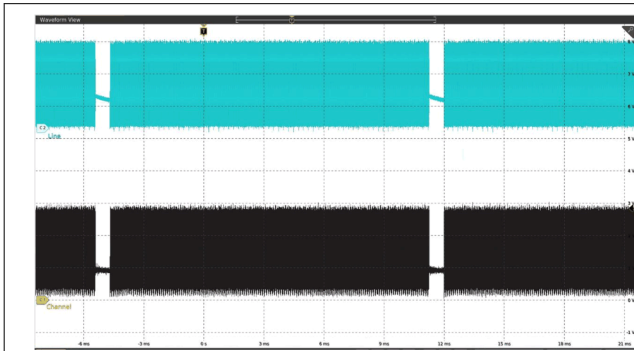


图 9-5. Line and Channel Waveform in One Frame (GSn=0xFFFFh)

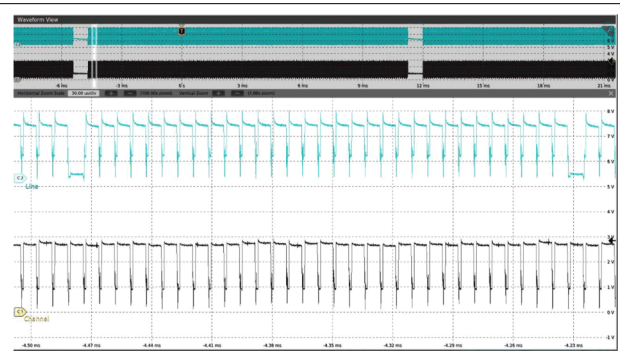


图 9-6. Line and Channel Waveform in One Subperiod (GSn=0xFFFFh)

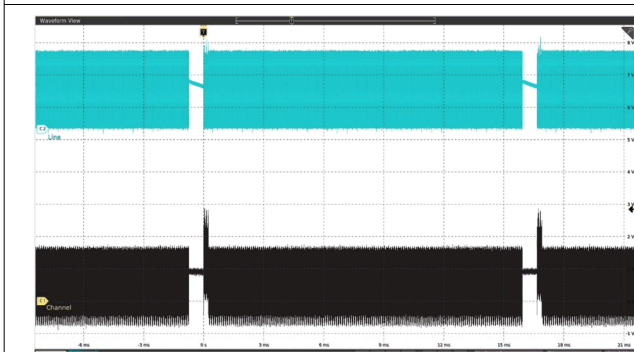


图 9-7. Line and Channel Waveform in One Frame (GSn=0x0001h)

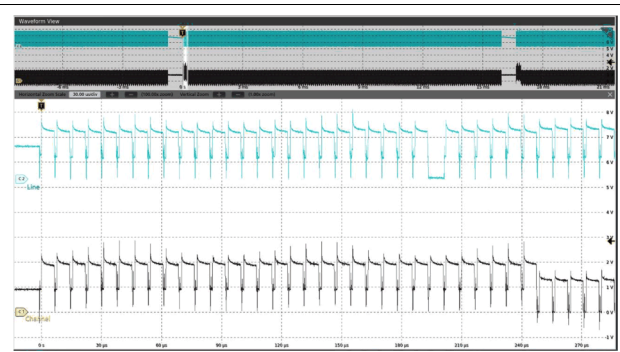


图 9-8. Line and Channel Waveform in One Frame (GSn=0x0001h)

10 Power Supply Recommendations

Decouple the VCC power supply voltage by placing a 0.1- μ F ceramic capacitor close to VCC pin and GND plane. Depending on panel size, several electrolytic capacitors must be placed on the board equally distributed to get well regulated LED supply voltage VR/VG/VB. The ripple of the LED supply voltage must be less than 5% of their nominal value. Generally, the green and blue LEDs have the similar forward voltage and they can be supplied by the same power rail.

Furthermore, the $V_R > V_f(R) + 0.35 \text{ V}$ (10-mA constant current example), the $V_G = V_B > V_f(G/B) + 0.35 \text{ V}$ (10-mA constant current example), here $V_f(R)$, $V_f(G/B)$ are representative for the maximum forward voltage of red, green/blue LEDs.

To simplify the power design, VCC can be connected to VR power rail.

11 Layout

11.1 Layout Guidelines

- Place the decoupling capacitor near the VCC/VR, VG/VB pins and GND plane.
- Place the current programming resistor RIREF close to IREF pin and GND plane.
- Route the GND thermal pad as widely as possible for large GND currents. Maximum GND current is approximately 2 A for two devices ($96\text{-CH} \times 20\text{ mA} = 1.92\text{ A}$).
- The Thermal pad must be connected to GND plane because the pad is used as power ground pin internally. There is a large current flow through this pad when all channels turn on. Furthermore, this pad must be connected to a heat sink layer by thermal via to reduce device temperature. For more information about suggested thermal via pattern and via size, see [PowerPAD™ Thermally Enhanced Package application note](#).
- Routing between the LED Anode side and the device OUTXn pin must be as short and straight as possible to reduce wire inductance.
- The line switch pins must be located in the middle of the matrix, which must be laid out as symmetrically as possible.

11.2 Layout Example

To simplify the system power rails design, we suggest that VR, VCC use one power rail, and VG, VB use another power rail. [图 11-1](#) gives an example for power rails routing.

Connect the GND pin to thermal pad on board with the shortest wire and the thermal pad is connected to GND plane with the vias, as many as possible to help the power dissipation.

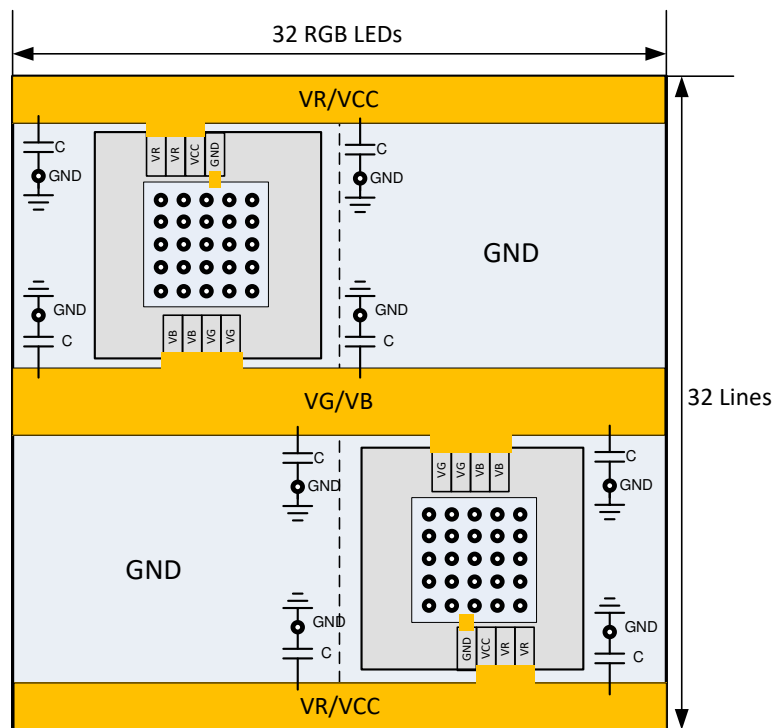


图 11-1. Power Rails Routing Suggestion

[图 11-2](#) gives an example for line routing. Connect the line switch to the center of the line bus, so as to uniform the current flowing from the line switch to the left side and right side LEDs in white grayscale. With this connection, the unbalance of the parasitic inductor from the routing is the smallest and the display performance is better, especially in low grayscale condition.

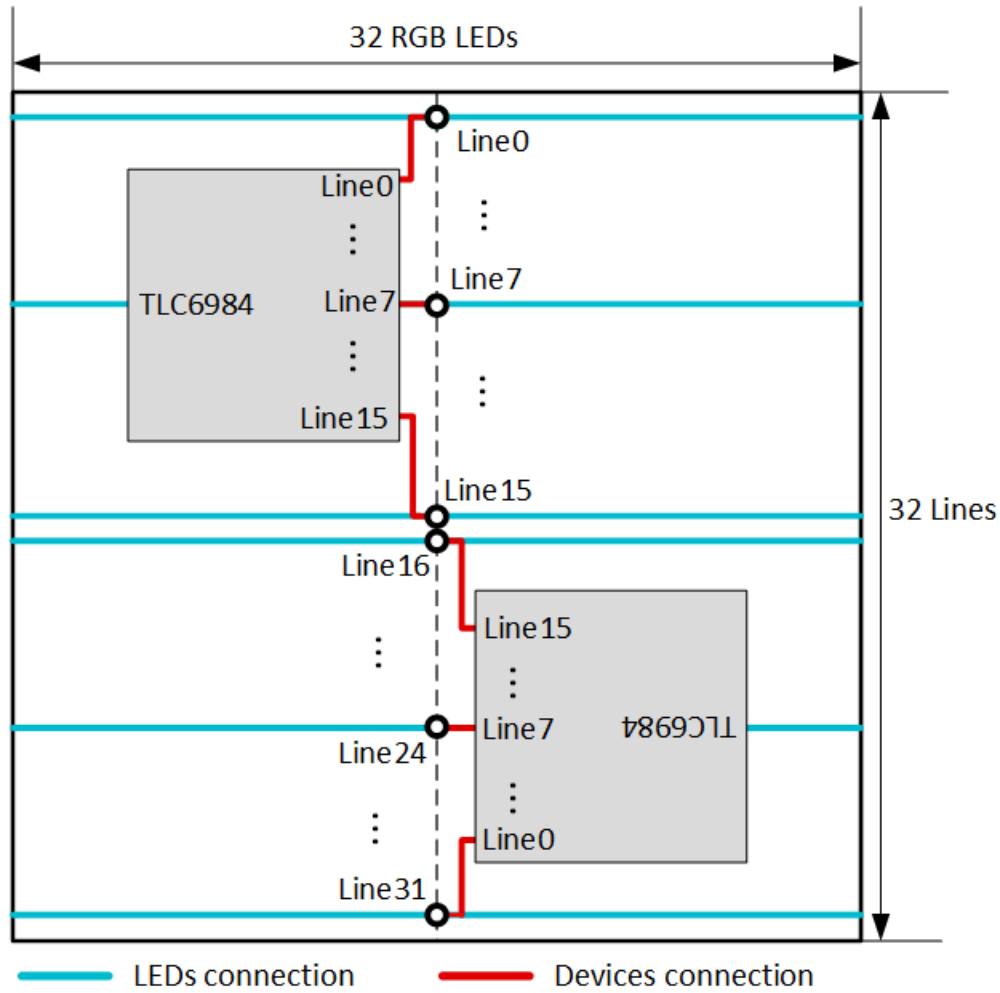


图 11-2. Line Routing Suggestion

图 11-3 给出了一个通道布线最短导线的例子。通过这种连接，到 LED 的路径是最短的，这可以减少导线电感，并有利于性能。然而，数据传输序列必须进行调整以遵循引脚布线图。例如，R0 连接到第 15 列 (LED15)。第一个数据必须是第 15 列 (LED15) 而不是第 0 列 (LED0)。

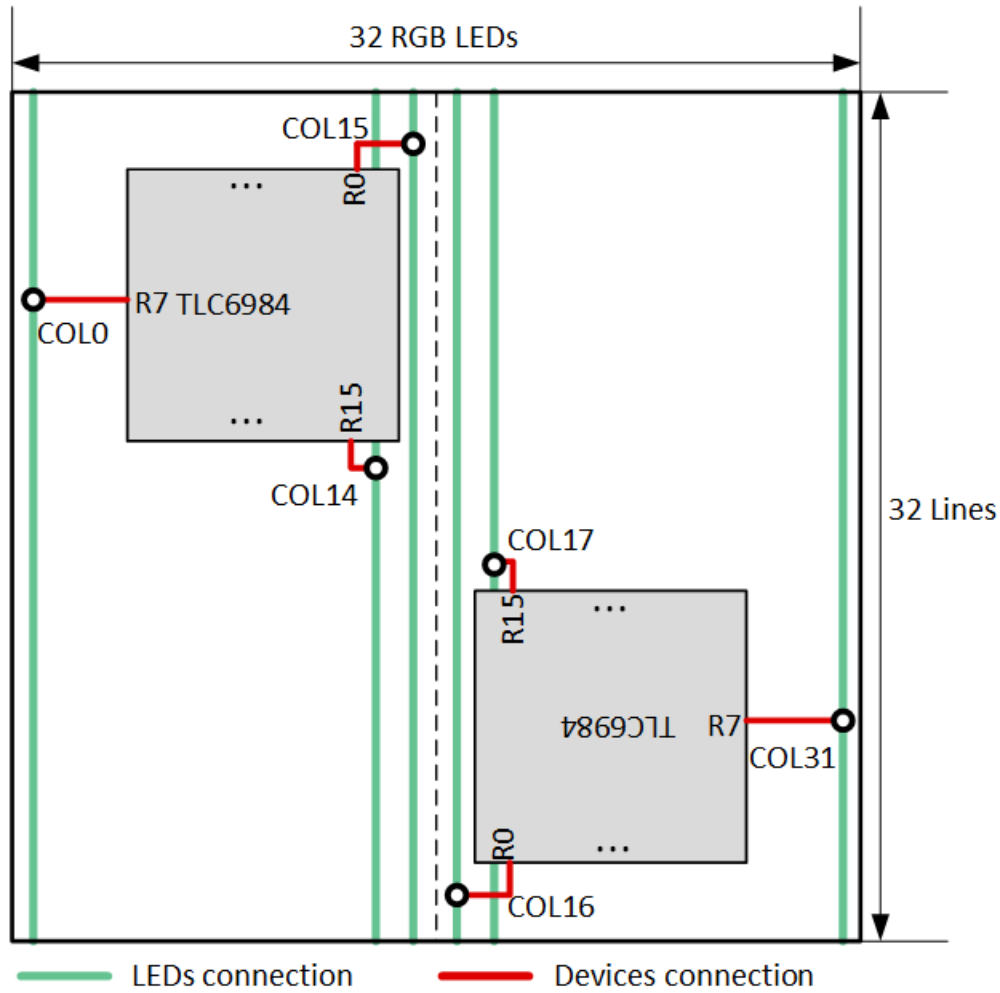


图 11-3. Channel Routing Suggestion With Shortest Wire

图 11-4 给出了一个关于通道布线与引脚编号序列的例子。通过这种连接，数据传输序列与引脚编号序列是相同的。例如，R0 连接到第 0 列 (LED0)。第一个数据是第 0 列 (LED0)。然而，通过这种连接，每个通道的电感可能会有所不同，在最坏的情况下可能会带来一点差异。

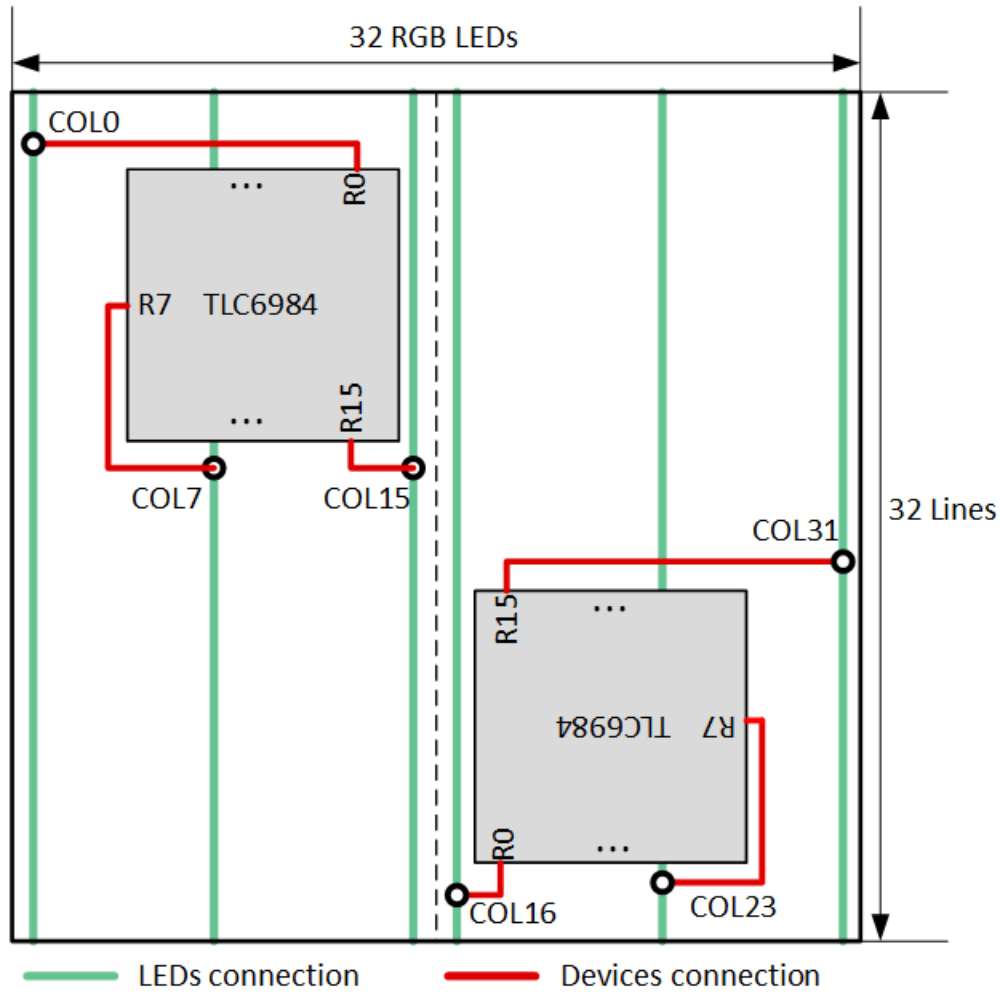


图 11-4. Channel Routing Suggestion With Channel Order Sequence

12 Device and Documentation Support

12.1 Documentation Support

12.1.1 Related Documentation

- Texas Instruments, [PowerPAD™ Thermally Enhanced Package application note](#)

12.2 接收文档更新通知

要接收文档更新通知，请导航至 [ti.com](https://www.ti.com) 上的器件产品文件夹。点击 [订阅更新](#) 进行注册，即可每周接收产品信息更改摘要。有关更改的详细信息，请查看任何已修订文档中包含的修订历史记录。

12.3 支持资源

[TI E2E™ 支持论坛](#) 是工程师的重要参考资料，可直接从专家获得快速、经过验证的解答和设计帮助。搜索现有解答或提出自己的问题可获得所需的快速设计帮助。

链接的内容由各个贡献者“按原样”提供。这些内容并不构成 TI 技术规范，并且不一定反映 TI 的观点；请参阅 TI 的《[使用条款](#)》。

12.4 Trademarks

TI E2E™ is a trademark of Texas Instruments.

所有商标均为其各自所有者的财产。

12.5 Electrostatic Discharge Caution



This integrated circuit can be damaged by ESD. Texas Instruments recommends that all integrated circuits be handled with appropriate precautions. Failure to observe proper handling and installation procedures can cause damage.

ESD damage can range from subtle performance degradation to complete device failure. Precision integrated circuits may be more susceptible to damage because very small parametric changes could cause the device not to meet its published specifications.

12.6 术语表

[TI 术语表](#) 本术语表列出并解释了术语、首字母缩略词和定义。

13 Mechanical, Packaging, and Orderable Information

The following pages include mechanical, packaging, and orderable information. This information is the most current data available for the designated devices. This data is subject to change without notice and revision of this document. For browser-based versions of this data sheet, refer to the left-hand navigation.

PACKAGING INFORMATION

| Orderable Device | Status (1) | Package Type | Package Drawing | Pins | Package Qty | Eco Plan (2) | Lead finish/ Ball material (6) | MSL Peak Temp (3) | Op Temp (°C) | Device Marking (4/5) | Samples |
|------------------|---------------|--------------|-----------------|------|-------------|-----------------|--------------------------------------|----------------------|--------------|-------------------------|-------------------------|
| TLC6984RRFR | ACTIVE | VQFN | RRF | 76 | 2000 | RoHS & Green | NIPDAU | Level-3-260C-168 HR | -40 to 85 | TLC6984 | Samples |
| TLC6984ZXLR | ACTIVE | NFBGA | ZXL | 96 | 2500 | RoHS & Green | SNAGCU | Level-3-260C-168 HR | -40 to 85 | TLC6984 | Samples |

(1) The marketing status values are defined as follows:

ACTIVE: Product device recommended for new designs.

LIFEBUY: TI has announced that the device will be discontinued, and a lifetime-buy period is in effect.

NRND: Not recommended for new designs. Device is in production to support existing customers, but TI does not recommend using this part in a new design.

PREVIEW: Device has been announced but is not in production. Samples may or may not be available.

OBsolete: TI has discontinued the production of the device.

(2) **RoHS:** TI defines "RoHS" to mean semiconductor products that are compliant with the current EU RoHS requirements for all 10 RoHS substances, including the requirement that RoHS substance do not exceed 0.1% by weight in homogeneous materials. Where designed to be soldered at high temperatures, "RoHS" products are suitable for use in specified lead-free processes. TI may reference these types of products as "Pb-Free".

RoHS Exempt: TI defines "RoHS Exempt" to mean products that contain lead but are compliant with EU RoHS pursuant to a specific EU RoHS exemption.

Green: TI defines "Green" to mean the content of Chlorine (Cl) and Bromine (Br) based flame retardants meet JS709B low halogen requirements of <=1000ppm threshold. Antimony trioxide based flame retardants must also meet the <=1000ppm threshold requirement.

(3) MSL, Peak Temp. - The Moisture Sensitivity Level rating according to the JEDEC industry standard classifications, and peak solder temperature.

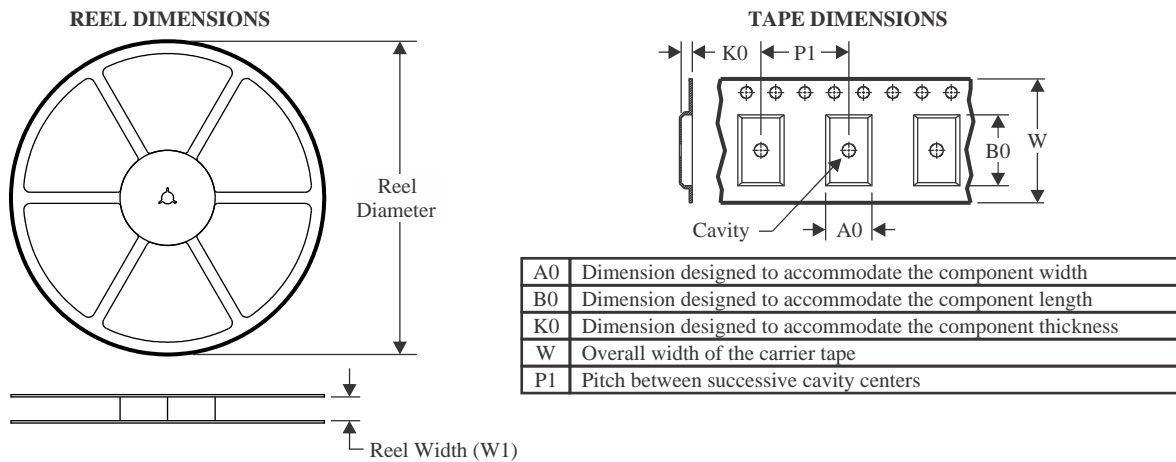
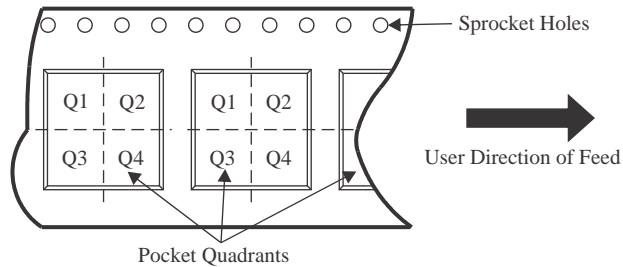
(4) There may be additional marking, which relates to the logo, the lot trace code information, or the environmental category on the device.

(5) Multiple Device Markings will be inside parentheses. Only one Device Marking contained in parentheses and separated by a "~" will appear on a device. If a line is indented then it is a continuation of the previous line and the two combined represent the entire Device Marking for that device.

(6) Lead finish/Ball material - Orderable Devices may have multiple material finish options. Finish options are separated by a vertical ruled line. Lead finish/Ball material values may wrap to two lines if the finish value exceeds the maximum column width.

Important Information and Disclaimer:The information provided on this page represents TI's knowledge and belief as of the date that it is provided. TI bases its knowledge and belief on information provided by third parties, and makes no representation or warranty as to the accuracy of such information. Efforts are underway to better integrate information from third parties. TI has taken and continues to take reasonable steps to provide representative and accurate information but may not have conducted destructive testing or chemical analysis on incoming materials and chemicals. TI and TI suppliers consider certain information to be proprietary, and thus CAS numbers and other limited information may not be available for release.

In no event shall TI's liability arising out of such information exceed the total purchase price of the TI part(s) at issue in this document sold by TI to Customer on an annual basis.

TAPE AND REEL INFORMATION

QUADRANT ASSIGNMENTS FOR PIN 1 ORIENTATION IN TAPE


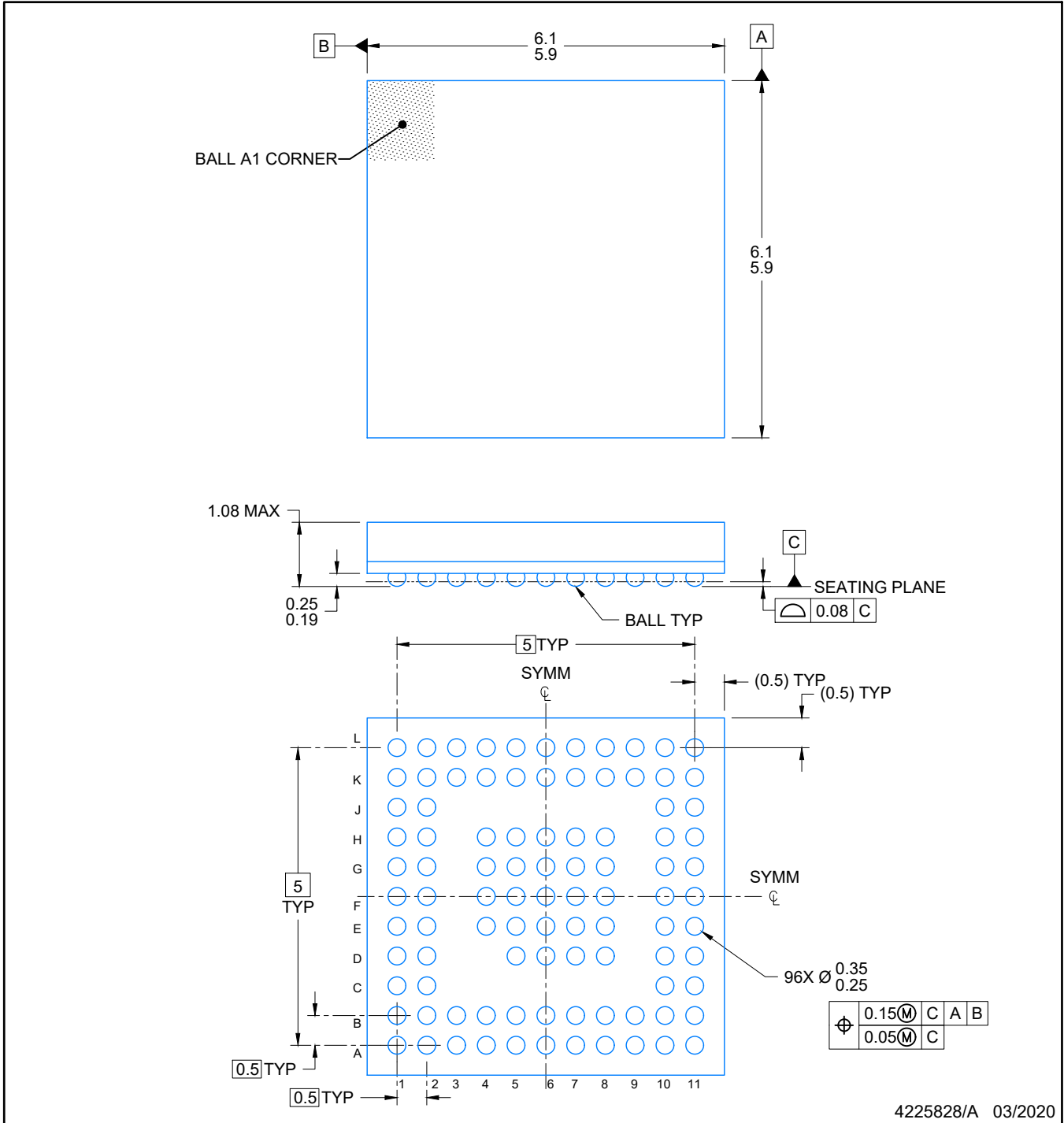
*All dimensions are nominal

| Device | Package Type | Package Drawing | Pins | SPQ | Reel Diameter (mm) | Reel Width W1 (mm) | A0 (mm) | B0 (mm) | K0 (mm) | P1 (mm) | W (mm) | Pin1 Quadrant |
|-------------|--------------|-----------------|------|------|--------------------|--------------------|---------|---------|---------|---------|--------|---------------|
| TLC6984ZCLR | NFBGA | ZXL | 96 | 2500 | 330.0 | 16.4 | 6.3 | 6.3 | 2.1 | 8.0 | 16.0 | Q1 |

TAPE AND REEL BOX DIMENSIONS


*All dimensions are nominal

| Device | Package Type | Package Drawing | Pins | SPQ | Length (mm) | Width (mm) | Height (mm) |
|-------------|--------------|-----------------|------|------|-------------|------------|-------------|
| TLC6984ZXLR | NFBGA | ZXL | 96 | 2500 | 336.6 | 336.6 | 31.8 |

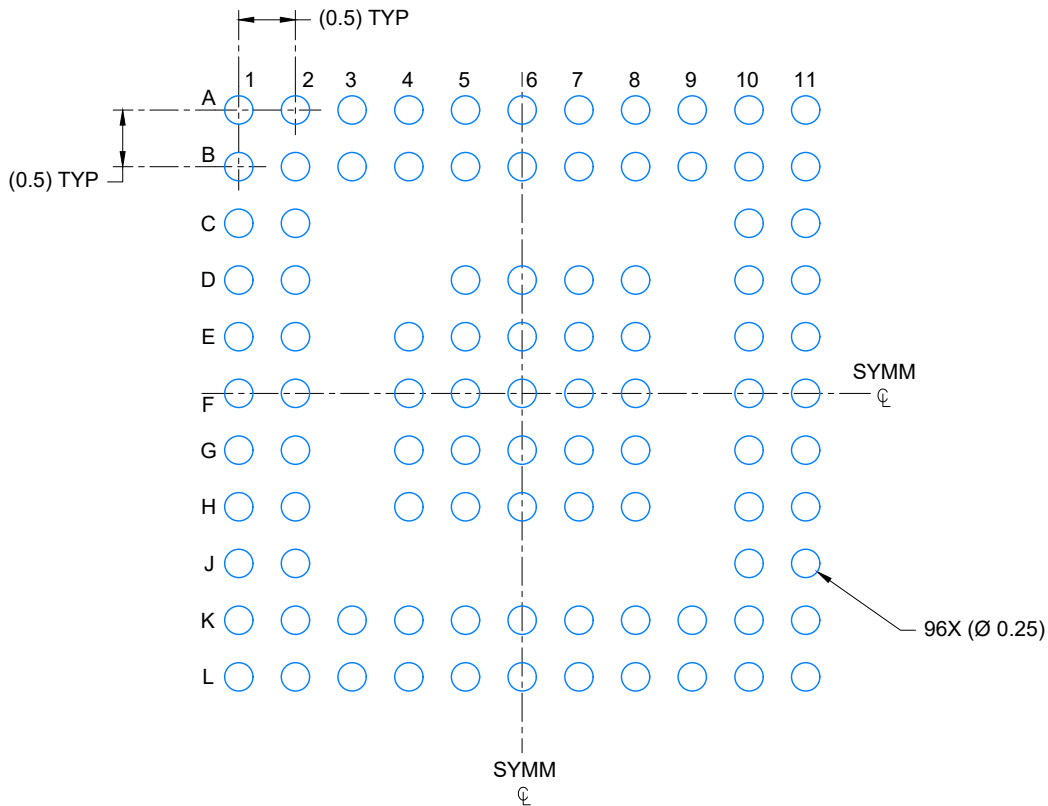


4225828/A 03/2020

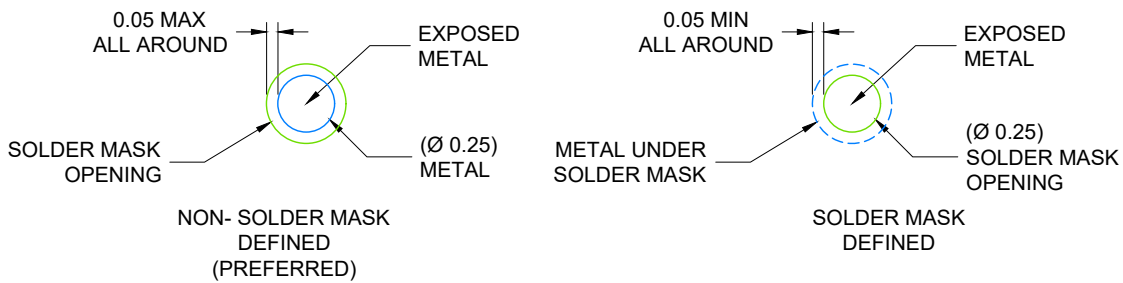
NOTES:

NanoFree is a trademark of Texas Instruments.

1. All linear dimensions are in millimeters. Any dimensions in parenthesis are for reference only. Dimensioning and tolerancing per ASME Y14.5M.
2. This drawing is subject to change without notice.



LAND PATTERN EXAMPLE
EXPOSED METAL SHOWN
SCALE: 15X



SOLDER MASK DETAILS
NOT TO SCALE

4225828/A 03/2020

NOTES: (continued)

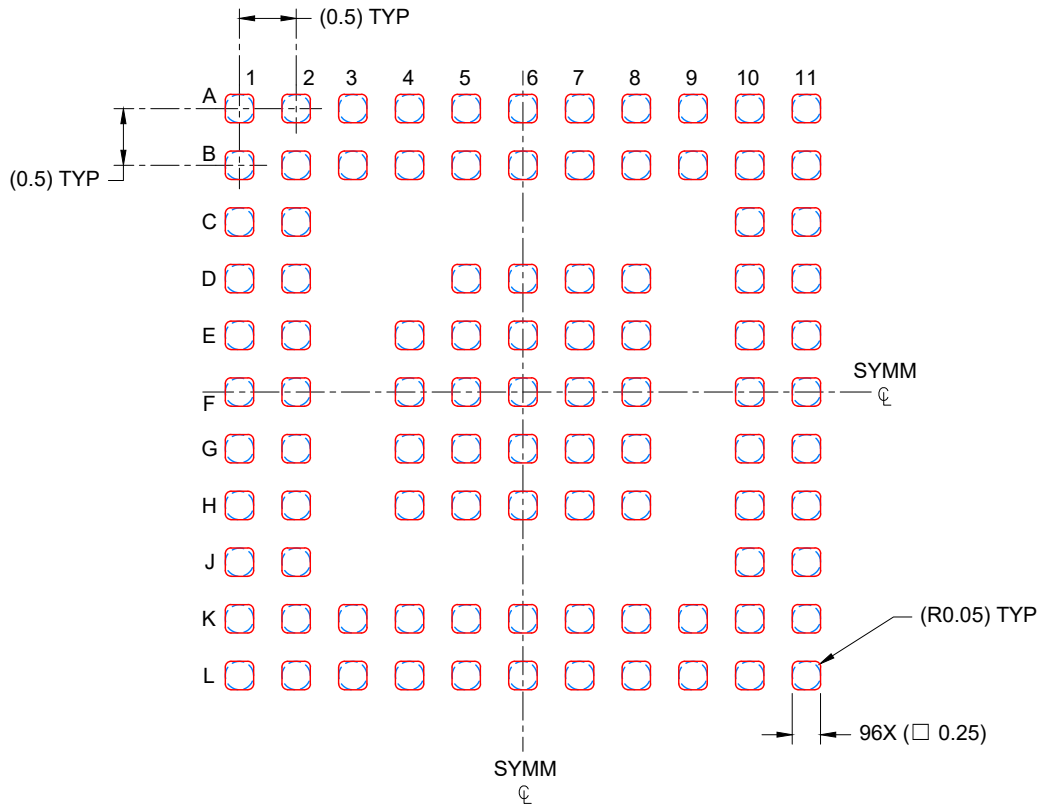
- Final dimensions may vary due to manufacturing tolerance considerations and also routing constraints. Refer to Texas Instruments Literature number SNVA009 (www.ti.com/lit/snva009).

EXAMPLE STENCIL DESIGN

ZXL0096A

NFBGA - 1.08 mm max height

PLASTIC BALL GRID ARRAY

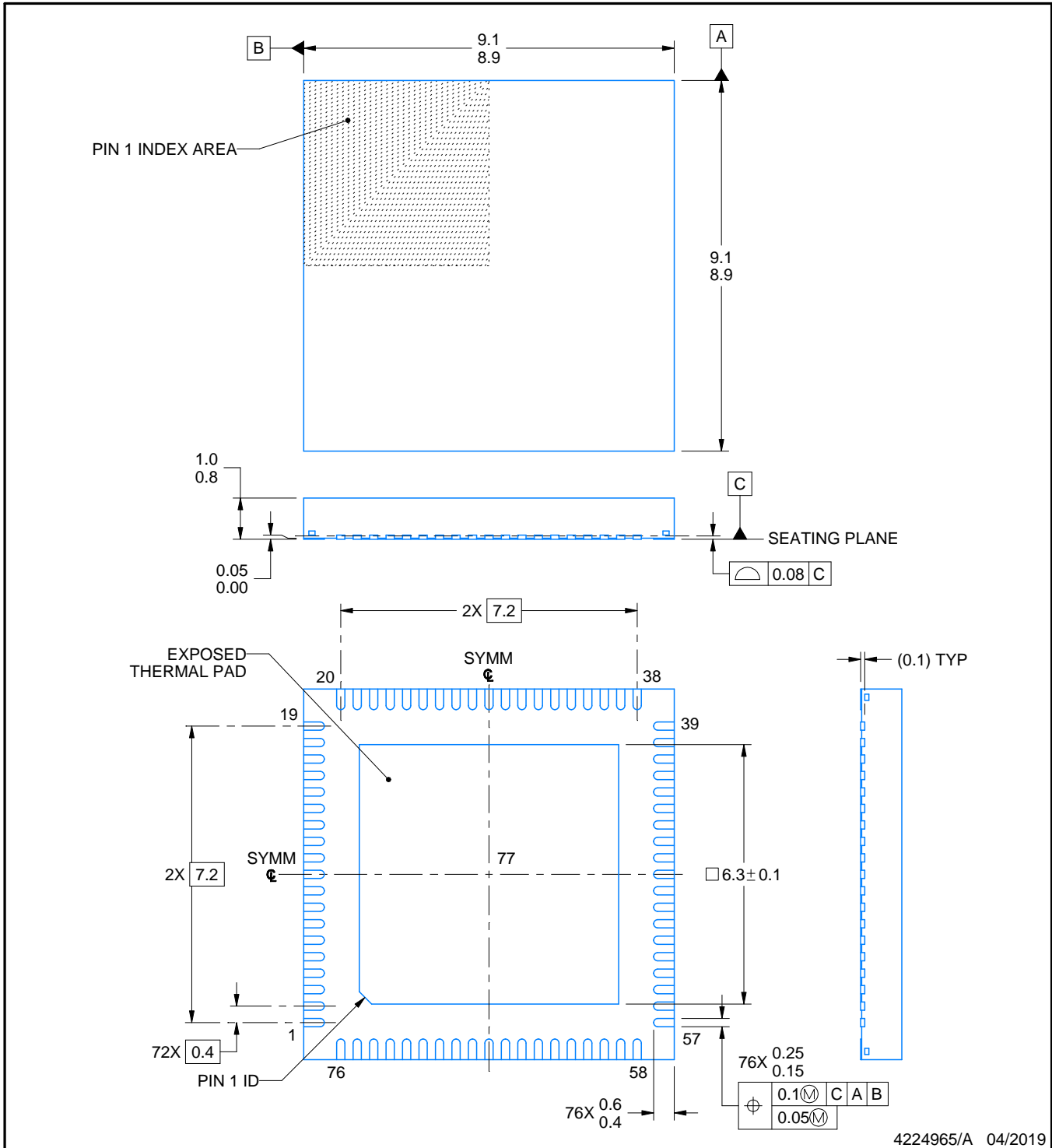
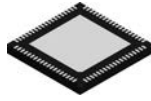


SOLDER PASTE EXAMPLE
BASED ON 0.1 mm THICK STENCIL
SCALE: 15X

4225828/A 03/2020

NOTES: (continued)

4. Laser cutting apertures with trapezoidal walls and rounded corners may offer better paste release.



NOTES:

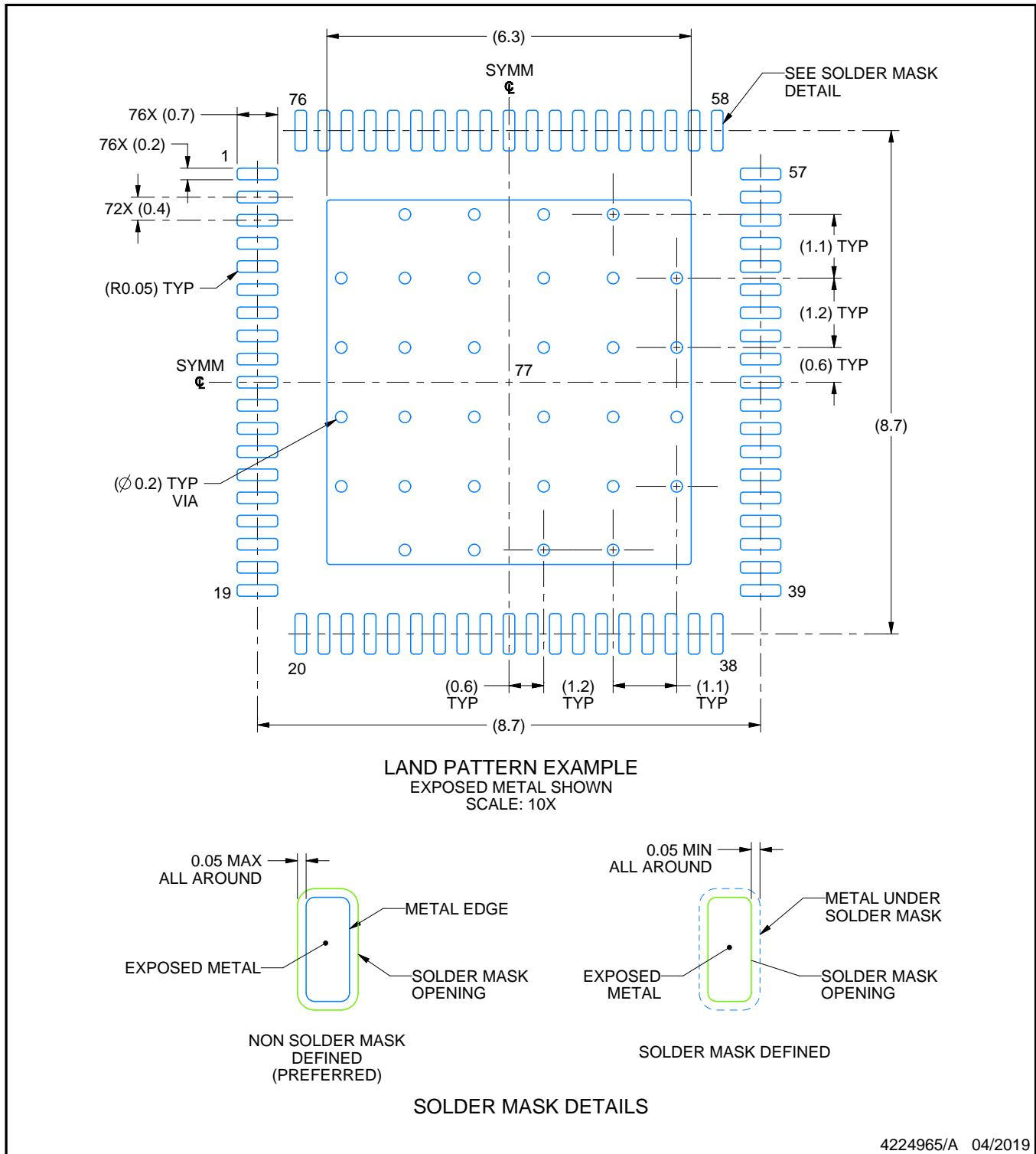
- All linear dimensions are in millimeters. Any dimensions in parenthesis are for reference only. Dimensioning and tolerancing per ASME Y14.5M.
- This drawing is subject to change without notice.
- The package thermal pad must be soldered to the printed circuit board for thermal and mechanical performance.

EXAMPLE BOARD LAYOUT

RRF0076A

VQFN - 1 mm max height

PLASTIC QUAD FLATPACK - NO LEAD



4224965/A 04/2019

NOTES: (continued)

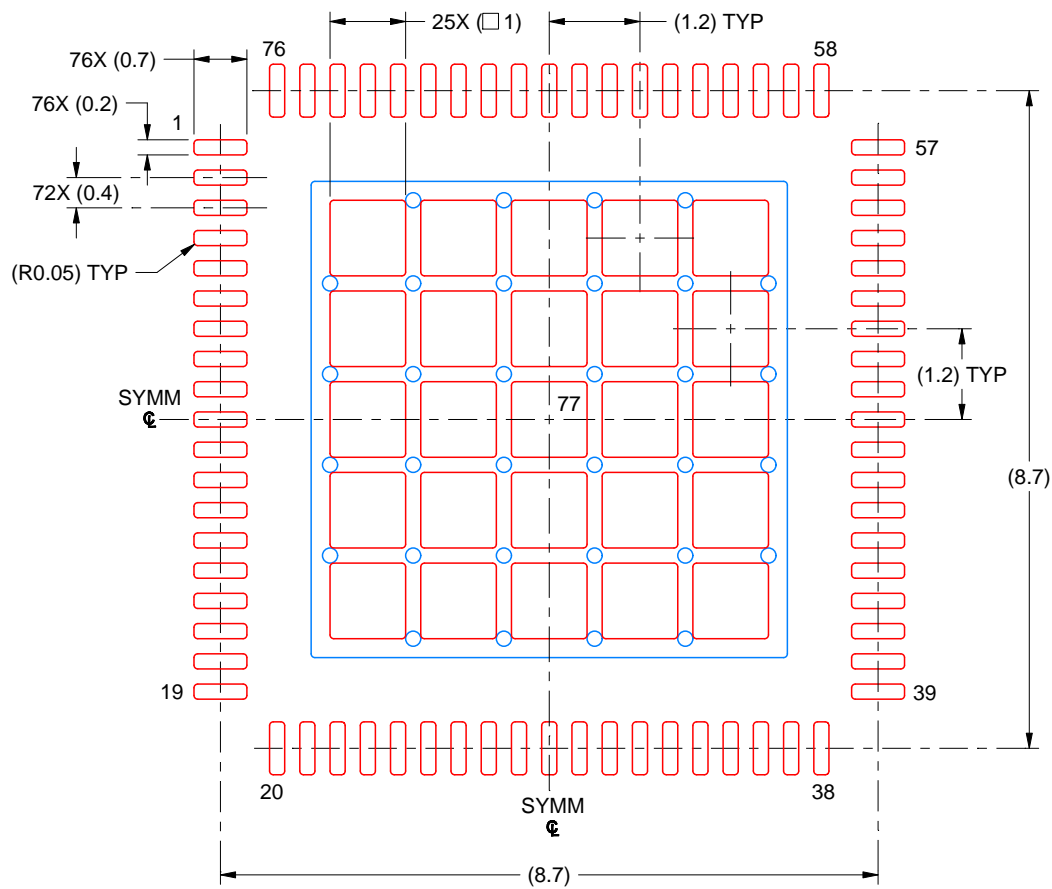
4. This package is designed to be soldered to a thermal pad on the board. For more information, see Texas Instruments literature number SLUA271 (www.ti.com/lit/slua271).
5. Vias are optional depending on application, refer to device data sheet. If any vias are implemented, refer to their locations shown on this view. It is recommended that vias under paste be filled, plugged or tented.

EXAMPLE STENCIL DESIGN

RRF0076A

VQFN - 1 mm max height

PLASTIC QUAD FLATPACK - NO LEAD



SOLDER PASTE EXAMPLE
BASED ON 0.125 MM THICK STENCIL
SCALE: 10X

EXPOSED PAD 77
63% PRINTED SOLDER COVERAGE BY AREA UNDER PACKAGE

4224965/A 04/2019

NOTES: (continued)

6. Laser cutting apertures with trapezoidal walls and rounded corners may offer better paste release. IPC-7525 may have alternate design recommendations.

重要声明和免责声明

TI“按原样”提供技术和可靠性数据（包括数据表）、设计资源（包括参考设计）、应用或其他设计建议、网络工具、安全信息和其他资源，不保证没有瑕疵且不做任何明示或暗示的担保，包括但不限于对适销性、某特定用途方面的适用性或不侵犯任何第三方知识产权的暗示担保。

这些资源可供使用 TI 产品进行设计的熟练开发人员使用。您将自行承担以下全部责任：(1) 针对您的应用选择合适的 TI 产品，(2) 设计、验证并测试您的应用，(3) 确保您的应用满足相应标准以及任何其他功能安全、信息安全、监管或其他要求。

这些资源如有变更，恕不另行通知。TI 授权您仅可将这些资源用于研发本资源所述的 TI 产品的应用。严禁对这些资源进行其他复制或展示。您无权使用任何其他 TI 知识产权或任何第三方知识产权。您应全额赔偿因在这些资源的使用中对 TI 及其代表造成的任何索赔、损害、成本、损失和债务，TI 对此概不负责。

TI 提供的产品受 [TI 的销售条款](#) 或 [ti.com](#) 上其他适用条款/TI 产品随附的其他适用条款的约束。TI 提供这些资源并不会扩展或以其他方式更改 TI 针对 TI 产品发布的适用的担保或担保免责声明。

TI 反对并拒绝您可能提出的任何其他或不同的条款。

邮寄地址：Texas Instruments, Post Office Box 655303, Dallas, Texas 75265

Copyright © 2022，德州仪器 (TI) 公司