

# 具有集成浪涌保护功能的小封装 TIOS102 和 TIOS102x 数字传感器输出驱动器

## 1 特性

- 宽电源运行
  - 4.75V 至 36V 电源电压 ( TIOS102、TIOS1023 )
  - 7V 至 36V 电源电压 ( TIOS1025 )
- PNP、NPN 或推挽可配置输出
- 提供功能安全
  - 有助于进行功能安全系统设计的文档
- 与 TIOS101(x) 引脚兼容，并提升了性能
  - 在 200mA 条件下，残余电压低，为 0.5V ( 典型值 )
  - 提供驱动器电流限制能力
  - 改善了封装的热性能
  - 更低的驱动器压摆率，可减少过冲 ( 最大 750ns )
- 集成保护特性，使系统更加稳健
  - 可配置驱动器过流限制：( 50mA 至 350mA )
  - 在 VCC、OUT 和 GND 上提供高达 65V 的反极性保护
  - 过流、过热和 UVLO 的故障指示灯
  - 支持高感性负载的安全快速消磁
  - 工作环境温度范围：-40°C 至 125°C
- VCC 和 OUT 上集成 EMC 保护功能
  - ±8 kV IEC 61000-4-2 ESD 接触放电
  - ±4kV IEC 61000-4-4 电气快速瞬变
  - ±1.2kV/500Ω IEC 61000-4-5 浪涌
- 能驱动高容性负载
- 静态电源电流小于 1.5mA 典型值 ( 禁用驱动器时 )
- 集成式 LDO 选项可支持高达 20mA 的电流
  - TIOS1023 : 3.3V LDO
  - TIOS1025 : 5V LDO
  - TIOS1023L ( DSBGA ) : 可选 3.3V/5V LDO 输出
- 节省空间的小型封装选项
  - 3mm x 3mm 10 引脚 VSON 封装 ( 与 TIOS101 引脚兼容 )
  - 2.45 mm x 1.7 mm DSBGA 封装

## 2 应用

- 接近开关
- 电容式和电感式传感器
- 传动器
- 数字输出

## 3 说明

TIOS102(x) 器件可配置为高侧、低侧或推挽驱动器。这些器件能够承受高达 1.2kV (500Ω) 的 IEC 61000-4-5 浪涌，并集成反向极性保护功能。

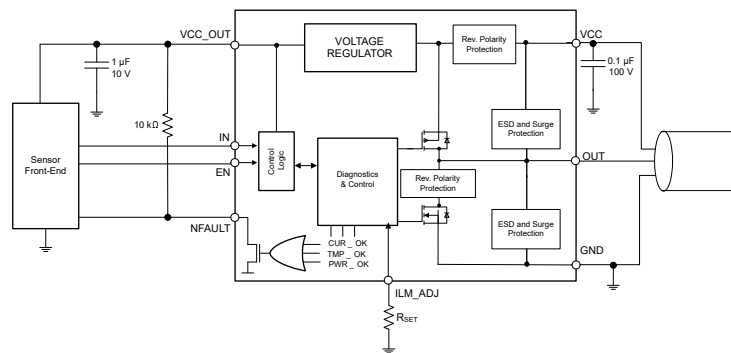
只需通过一个引脚可编程接口便可轻松连接到电路。可使用外部电阻器配置输出电流限值。提供了故障报告和内部保护功能，可应对欠压、过流和过热条件。

### 封装信息

| 器件型号      | 封装 <sup>(1)</sup> | 封装尺寸 <sup>(2)</sup> |
|-----------|-------------------|---------------------|
| TIOS102   | VSON (10)         | 3mm x 3mm           |
| TIOS1023  |                   |                     |
| TIOS1025  |                   |                     |
| TIOS102   | DSBGA (12)        | 2.45 mm x 1.7 mm    |
| TIOS1023L |                   |                     |

(1) 如需了解所有可订购器件，请参阅数据表末尾的可订购产品附录。

(2) 封装尺寸 (长 × 宽) 为标称值，并包括引脚 (如适用)。



典型应用图



## Table of Contents

|  |    |  |    |
|--|----|--|----|
| <b>1 特性</b> .....                                | 1  | 8.3 Feature Description.....                                     | 12 |
| <b>2 应用</b> .....                                | 1  | 8.4 Device Functional Modes.....                                 | 16 |
| <b>3 说明</b> .....                                | 1  | <b>9 Application Information Disclaimer</b> .....                | 18 |
| <b>4 Revision History</b> .....                  | 2  | 9.1 Application Information.....                                 | 18 |
| <b>5 Pin Configuration and Functions</b> .....   | 3  | 9.2 Typical Application.....                                     | 18 |
| <b>6 Specifications</b> .....                    | 5  | <b>10 Power Supply Recommendations</b> .....                     | 22 |
| 6.1 Absolute Maximum Ratings.....                | 5  | <b>11 Layout</b> .....   | 23 |
| 6.2 ESD Ratings.....                             | 5  | 11.1 Layout Guidelines.....                                      | 23 |
| 6.3 ESD Ratings - IEC Specifications.....        | 5  | 11.2 Layout Example.....   | 23 |
| 6.4 Recommended Operating Conditions.....        | 5  | <b>12 Device and Documentation Support</b> .....                 | 24 |
| 6.5 Thermal Information.....                     | 6  | 12.1 接收文档更新通知.....   | 24 |
| 6.6 Electrical Characteristics.....              | 6  | 12.2 支持资源.....   | 24 |
| 6.7 Switching Characteristics.....               | 8  | 12.3 Trademarks.....   | 24 |
| 6.8 Typical Characteristics.....                 | 9  | 12.4 静电放电警告.....   | 24 |
| <b>7 Parameter Measurement Information</b> ..... | 10 | 12.5 术语表.....  | 24 |
| <b>8 Detailed Description</b> .....              | 11 | <b>13 Mechanical, Packaging, and Orderable Information</b> ..... | 24 |
| 8.1 Overview.....                                | 11 | 13.1 Mechanical Data.....  | 25 |
| 8.2 Functional Block Diagrams.....               | 11 |  |    |

## 4 Revision History

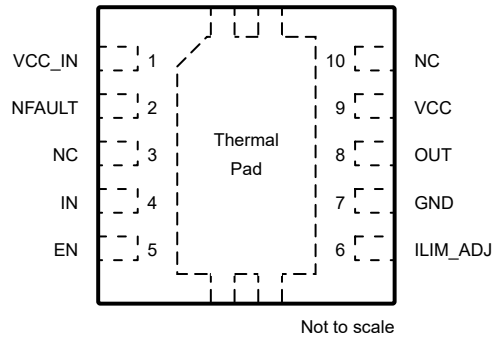
| <b>Changes from Revision A (December 2022) to Revision B (June 2023)</b> | <b>Page</b> |
|--|-------------|
| • 删除了器件信息表中 DSBGA 封装的产品预发布注释.....  | 1           |
| • 将“器件信息”表更改为封装信息表.....  | 1           |
| • Changed the DRC package images.....                                    | 3           |
| • Added the custom images for the YAH (DSBGA) 12-pin package.....        | 24          |

| <b>Changes from Revision * (February 2022) to Revision A (December 2022)</b> | <b>Page</b> |
|--|-------------|
| • 将数据表中的 VSON 封装从预告信息更改为量产数据.....  | 1           |

## 5 Pin Configuration and Functions



**图 5-1. TIOS1023, TIOS1025  
DRC, 10-Pin VSON  
(Top View)**



**图 5-2. TIOS102  
DRC, 10-Pin VSON  
(Top View)**

**表 5-1. Pin Functions (VSON Package)**

| PIN NO | PIN NAME    |                       | Type | DESCRIPTION   |
|--------|-------------|-----------------------|------|---|
|        | TIOS102     | TIOS1023,<br>TIOS1025 |      |   |
| 1      | VCC_IN      | VCC_OUT               | P    | 3.3-V or 5-V linear regulator output; external 3.3-V or 5-V logic supply input for option without LDO.  |
| 2      | NFAULT      | NFAULT                | O    | Fault indicator output signal to the microcontroller. Connect this pin via pull-up resistor to VCC_IN (TIOS102) or VCC_OUT (TIOS1023, TIOS1025)                 |
| 3      | NC          | NC                    | -    | Do not connect to GND. Leave floating   |
| 4      | IN          | IN                    | I    | Transmit data input from the local controller. No effect if EN is low. Logic high sets low-side switch. Logic low sets high-side switch. Weak internal pull-up. |
| 5      | EN          | EN                    | I    | Driver enable input signal from the local controller. Logic low sets the OUT output at Hi-Z. Weak internal pull-down.   |
| 6      | ILIM_ADJ    | ILIM_ADJ              | I    | Input for current limit adjustment. Connect resistor R <sub>SET</sub> between ILIM_ADJ and GND.   |
| 7      | GND         | GND                   | GND  | Device ground connection  |
| 8      | OUT         | OUT                   | O    | Driver output   |
| 9      | VCC         | VCC                   | P    | Supply voltage (24 V nominal)   |
| 10     | NC          | NC                    | -    | Do not connect to GND. Leave floating   |
|        | Thermal Pad | Thermal Pad           | —    | Connect to GND plane for optimal thermal and electrical performance   |

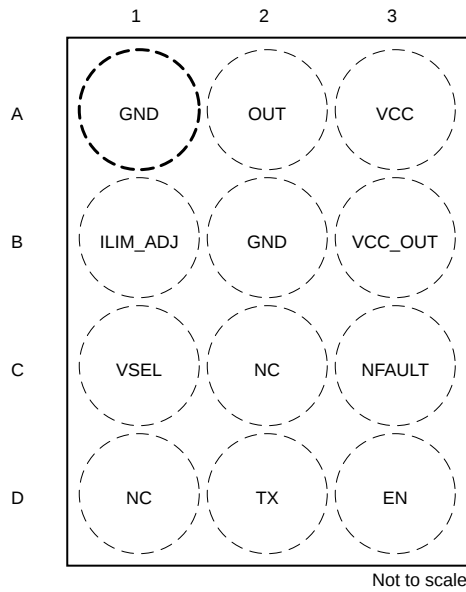


图 5-3. TIOS1023L  
YAH, 12-Pin DSBGA  
(Top View)

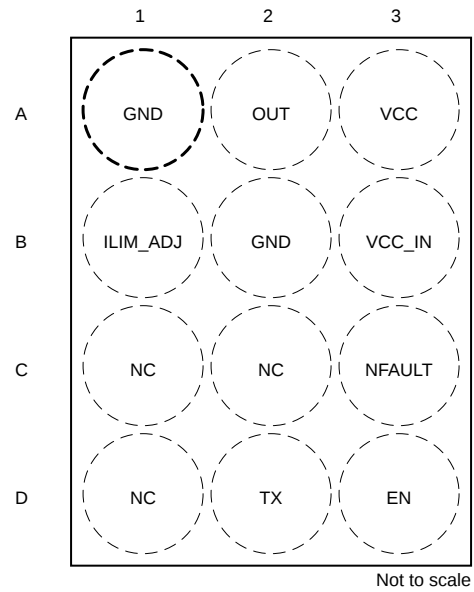


图 5-4. TIOS102  
YAH, 12-Pin DSBGA  
(Top View)

表 5-2. Pin Functions (DSBGA)

| PIN NO    | PIN NAME |           | Type | DESCRIPTION   |
|-----------|----------|-----------|------|---|
|           | TIOS102  | TIOS1023L |      |   |
| B3        | VCC_IN   | VCC_OUT   | P    | 3.3-V or 5-V linear regulator output; external 3.3-V or 5-V logic supply input for option without LDO.  |
| C3        | NFAULT   | NFAULT    | O    | Fault indicator output signal to the microcontroller. Connect this pin via pull-up resistor to VCC_IN (TIOS102) or VCC_OUT (TIOS1023, TIOS1025)                 |
| D2        | TX       | TX        | I    | Transmit data input from the local controller. No effect if EN is low. Logic high sets low-side switch. Logic low sets high-side switch. Weak internal pull-up. |
| D3        | EN       | EN        | I    | Driver enable input signal from the local controller. Logic low sets the OUT output at Hi-Z. Weak internal pull-down.   |
| B1        | ILIM_ADJ | ILIM_ADJ  | I    | Input for current limit adjustment. Connect resistor R <sub>SET</sub> between ILIM_ADJ and GND.   |
| A1,<br>B2 | GND      | GND       | GND  | Device ground connection  |
| A2        | OUT      | OUT       | O    | Switch output   |
| A3        | VCC      | VCC       | P    | Supply voltage (24 V nominal)   |
| D1,<br>C2 | NC       | NC        | -    | Leave floating. Do not connect.   |
| C1        | NC       | VSEL      | I    | TIOS102: Leave floating. Do not connect<br>TIOS1023L: VSEL: Connect to GND for 5V LDO output. Please leave this pin floating for 3.3V LDO output                |

## 6 Specifications

### 6.1 Absolute Maximum Ratings

over operating free-air temperature range (unless otherwise noted)<sup>(1)</sup>

|                                       |  | MIN   | MAX                         | UNIT |
|---------------------------------------|--|-------|-----------------------------|------|
| Supply voltage                        | Steady state voltage for VCC and OUT           | - 65  | 65                          | V    |
|                                       | Transient pulse width < 100 μs for VCC and OUT | - 70  | 70                          | V    |
| Voltage difference                    | $ V_{(VCC)} - V_{(OUT)} $                      |       | 65                          | V    |
| Logic supply voltage (TIOS102)        | VCC_IN   | - 0.3 | 6                           | V    |
| Input logic voltage                   | IN, EN, VSEL, ILIM_ADJ                         | - 0.3 | $\min(V_{CC\_IN} + 0.3, 6)$ | V    |
| Output current                        | NFAULT   | - 5   | 5                           | mA   |
| Storage temperature, T <sub>stg</sub> |  | -55   | 170                         | °C   |

- (1) Operation outside the *Absolute Maximum Ratings* may cause permanent device damage. *Absolute maximum ratings* do not imply functional operation of the device at these or any other conditions beyond those listed under *Recommended Operating Conditions*. If briefly operating outside the *Recommended Operating Conditions* but within the *Absolute Maximum Ratings*, the device may not sustain damage, but it may not be fully functional. Operating the device in this manner may affect device reliability, functionality, performance, and shorten the device lifetime. All voltages are with reference to the GND pin, unless otherwise specified.

### 6.2 ESD Ratings

|                    |                         |   | VALUE | UNIT |
|--------------------|-------------------------|---|-------|------|
| V <sub>(ESD)</sub> | Electrostatic discharge | Human-body model (HBM), per ANSI/ESDA/JEDEC JS-001 <sup>(1)</sup>     | ±4000 | V    |
| V <sub>(ESD)</sub> | Electrostatic discharge | Charged Device Model (CDM), per ANSI/ESDA/JEDEC JS-002 <sup>(2)</sup> | ±750  | V    |

- (1) JEDEC document JEP155 states that 500-V HBM allows safe manufacturing with a standard ESD control process.  
(2) JEDEC document JEP157 states that 250-V CDM allows safe manufacturing with a standard ESD control process

### 6.3 ESD Ratings - IEC Specifications

|                    |                         |   | VALUE  | UNIT |
|--------------------|-------------------------|---|--------|------|
| V <sub>(ESD)</sub> | Electrostatic discharge | IEC 61000-4-2 ESD (Contact Discharge), VCC, OUT and GND <sup>(1)</sup>                  | ±8,000 | V    |
|                    | Electrostatic discharge | IEC 61000-4-5, 1.2 μs/50 μs Surge with 500 Ω in series, VCC, OUT and GND <sup>(1)</sup> | ±1,200 |      |
|                    | Electrostatic discharge | IEC 61000-4-4 EFT (Fast transient or burst), VCC, OUT and GND <sup>(1)</sup>            | ±4,000 |      |

- (1) Minimum 100-nF capacitor is required between VCC and GND. Minimum 1-μF capacitor is required between VCC\_IN/VCC\_OUT and GND.

### 6.4 Recommended Operating Conditions

over operating free-air temperature range (unless otherwise noted)

|                        |   | MIN                                       | NOM  | MAX | UNIT |   |
|------------------------|---|---|------|-----|------|---|
| V <sub>(VCC)</sub>     | Supply voltage  | TIOS102, TIOS1023, TIO1023L (3.3V output) | 4.75 | 24  | 36   | V |
|                        |   | TIOS1025, TIOS1023L (5V output)           | 7    | 24  | 36   | V |
| V <sub>(VCC_IN)</sub>  | Logic level input voltage (TIOS102 only)                | 3.3 V configuration                       | 3    | 3.3 | 3.6  | V |
|                        |   | 5 V configuration                         | 4.5  | 5   | 5.5  | V |
| R <sub>SET</sub>       | External resistor for CQ current limit                  | 0   |      | 110 | kΩ   |   |
| 1/t <sub>BIT</sub>     | Data rate (Communication mode)                          |   |      | 250 | kbps |   |
| I <sub>(VCC_OUT)</sub> | LDO output current (TIOS1023, TIOS1023L, TIOS1025 only) |   |      | 20  | mA   |   |
| T <sub>A</sub>         | Operating ambient temperature                           | - 40                                      |      | 125 | °C   |   |
| T <sub>J</sub>         | Junction temperature                                    |   |      | 150 | °C   |   |

## 6.5 Thermal Information

| THERMAL METRIC <sup>(1)</sup> |  | TIOS102,<br>TIOS1023,<br>TIOS1025 | TIOS102, TIOS1023L | UNIT |
|-------------------------------|--|-----------------------------------|--------------------|------|
|                               |  | DRC (10 Pins)                     | YAH (12 Pins)      |      |
| R <sub>θJA</sub>              | Junction-to-ambient thermal resistance       | 45.9                              | 79.3               | °C/W |
| R <sub>θJC(top)</sub>         | Junction-to-case (top) thermal resistance    | 45.9                              | 0.3                | °C/W |
| R <sub>θJB</sub>              | Junction-to-board thermal resistance         | 17.9                              | 19.5               | °C/W |
| ψ <sub>JT</sub>               | Junction-to-top characterization parameter   | 0.7                               | 0.1                | °C/W |
| ψ <sub>JB</sub>               | Junction-to-board characterization parameter | 17.8                              | 19.4               | °C/W |
| R <sub>θJC(bot)</sub>         | Junction-to-case (bottom) thermal resistance | 4.7                               | N/A                | °C/W |

(1) For more information about traditional and new thermal metrics, see the [Semiconductor and IC Package Thermal Metrics](#) application report.

## 6.6 Electrical Characteristics

over operating free-air temperature range (unless otherwise noted). Typical values are at V<sub>VCC</sub> = 24 V, V<sub>VCC\_IN</sub> = 3.3 V, V<sub>VCC\_OUT</sub> = 3.3 V and T<sub>A</sub> = 25 °C unless otherwise specified.

| PARAMETER                                | TEST CONDITIONS                   | MIN  | TYP  | MAX  | UNIT |    |
|--|-----------------------------------|--|------|------|------|----|
| <b>POWER SUPPLIES (VCC)</b>              |                                   |  |      |      |      |    |
| I <sub>(VCC)</sub>                       | Quiescent supply current          | EN = LOW, no load  | 1    | 1.5  | mA   |    |
|  |                                   | EN = HIGH, no load   | 2.1  | 2.95 | mA   |    |
| <b>LOGIC-LEVEL INPUTS (EN, IN, VSEL)</b> |                                   |  |      |      |      |    |
| V <sub>IL</sub>                          | Input logic low voltage           |  |      | 0.8  | V    |    |
| V <sub>IH</sub>                          | Input logic high voltage          | 2  |      |      | V    |    |
| R <sub>PD</sub>                          | Pull-down (EN) resistance         |  | 100  |      | kΩ   |    |
| R <sub>PU</sub>                          | Pull-up (IN) resistance           |  | 200  |      | kΩ   |    |
| R <sub>PU</sub>                          | Pull-up (VSEL) resistance         |  | 1000 |      | kΩ   |    |
| <b>CONTROL OUTPUTS (NFAULT)</b>          |                                   |  |      |      |      |    |
| V <sub>OL</sub>                          | Output logic low voltage          | I <sub>O</sub> = 4 mA  |      | 0.5  | V    |    |
| I <sub>OZ</sub>                          | Output high impedance leakage     | Output in Hi-Z, V <sub>O</sub> = 0 V or V <sub>VCC_IN/OUT</sub>  | -1   | 1    | μA   |    |
| <b>DRIVER OUTPUT (OUT)</b>               |                                   |  |      |      |      |    |
| R <sub>DS(ON)</sub>                      | High-side driver on-resistance    |  | 2.5  | 4.5  | Ω    |    |
| V <sub>DS(ON)</sub>                      | High-side driver residual voltage | I = 200 mA   | 0.5  | 0.9  | V    |    |
|  |                                   | I = 100 mA   | 0.25 | 0.5  | V    |    |
| R <sub>DS(ON)</sub>                      | Low-side driver on-resistance     |  | 2.5  | 4.5  | Ω    |    |
|  |                                   |  | 2.5  | 4.5  | Ω    |    |
| V <sub>DS(ON)</sub>                      | Low-side driver residual voltage  | I = 200 mA   | 0.5  | 0.9  | V    |    |
|  |                                   | I = 100 mA   | 0.25 | 0.5  | V    |    |
| I <sub>PD</sub>                          | OUT pull-down current             | EN = LOW, IN = LOW, R <sub>SET</sub> ≥ 10 kΩ   | 40   | 50   | 80   | μA |
| I <sub>PU</sub>                          | OUT pull-up current               | EN = LOW, IN = HIGH  | 40   | 50   | 80   | μA |
| I <sub>O(LIM)</sub>                      | Driver output current limit       | R <sub>SET</sub> = 10 kΩ;<br>V(OUT) = (V <sub>VCC</sub> -3) V or 3 V   | 300  | 350  | 400  | mA |
|  |                                   | R <sub>SET</sub> = 110 kΩ;<br>V(OUT) = (V <sub>VCC</sub> -3) V or 3 V  | 35   | 50   | 70   | mA |
|  |                                   | R <sub>SET</sub> = 0 to 5 kΩ; <sup>(3)</sup><br>V(OUT) = (V <sub>VCC</sub> -3) V or 3 V<br>T <sub>J</sub> < T <sub>(SDN)</sub> or t < 200 μs | 500  |      |      | mA |
|  |                                   | (Fast-detect mode) R <sub>SET</sub> = OPEN <sup>(1)</sup><br>V(OUT) = (V <sub>VCC</sub> -3) V or 3 V   | 260  | 330  | 400  | mA |

## 6.6 Electrical Characteristics (continued)

over operating free-air temperature range (unless otherwise noted). Typical values are at  $V_{VCC} = 24\text{ V}$ ,  $V_{VCC\_IN} = 3.3\text{ V}$ ,  $V_{VCC\_OUT} = 3.3\text{ V}$  and  $T_A = 25\text{ }^\circ\text{C}$  unless otherwise specified.

| PARAMETER                     |   | TEST CONDITIONS  |                              | MIN  | TYP | MAX  | UNIT             |
|-------------------------------|---|--|------------------------------|------|-----|------|------------------|
| <b>PROTECTION CIRCUITS</b>    |   |  |                              |      |     |      |                  |
| $V_{(UVLO)}$                  | VCC under voltage lockout   | VCC falling; NFAULT = Hi-Z   | TIOS102 and 3.3V LDO version | 4.2  | 4.4 |      | V                |
| $V_{(UVLO)}$                  | VCC under voltage lockout   | VCC rising; NFAULT = Hi-Z  |                              | 4.6  |     | 4.75 | V                |
| $V_{(UVLO)}$                  | VCC under voltage lockout   | VCC falling; NFAULT = Hi-Z   | TIOS1025                     | 6    | 6.3 |      | V                |
|                               |   | VCC rising; NFAULT = Hi-Z  |                              | 6.5  | 6.8 |      | V                |
| $V_{(UVLO,HYS)}$              | VCC under voltage lockout hysteresis                                | Rising to falling threshold  | Rising to falling threshold  | 200  |     |      | mV               |
| $V_{(UVLO\_IN)}$              | VCC_IN under voltage lockout (No LDO option)                        | VCC_IN falling; NFAULT = Hi-Z  |                              |      | 2.3 |      | V                |
|                               |   | VCC_IN rising; NFAULT = LOW  |                              |      | 2.5 |      | V                |
| $V_{(UVLO\_IN,HYS)}$          | VCC_IN under voltage hysteresis (No LDO option)                     | Rising to falling threshold  |                              | 190  |     |      | mV               |
| $T_{(WRN)}$                   | Thermal warning   | Die temperature $T_J$  |                              | 125  |     |      | $^\circ\text{C}$ |
| $T_{(SDN)}$                   | Thermal shutdown  |  |                              | 150  | 160 |      | $^\circ\text{C}$ |
| $T_{(HYS)}$                   | Hysteresis for thermal shutdown and warning thresholds              |  |                              |      | 14  |      | $^\circ\text{C}$ |
| $I_{REV}$                     | Leakage current in reverse polarity                                 | EN=LOW, IN=x; $V_{(OUT)} < V_{(GND)}$ or $V_{(OUT)} > V_{(VCC)}$ , up to  36 V |                              |      |     | 60   | $\mu\text{A}$    |
|                               |   | EN=LOW, IN=x; $V_{(OUT)} < V_{(GND)}$ or $V_{(OUT)} > V_{(VCC)}$ , up to  55 V |                              |      |     | 110  | $\mu\text{A}$    |
|                               |   | EN = HIGH, IN = LOW; $V_{(OUT\ to\ VCC)} = 3\text{ V}$                         |                              |      |     | 640  | $\mu\text{A}$    |
|                               |   | EN = HIGH, IN = HIGH; $V_{(OUT\ to\ GND)} = -3\text{ V}$                       |                              |      |     | 10   | $\mu\text{A}$    |
| <b>LINEAR REGULATOR (LDO)</b> |   |  |                              |      |     |      |                  |
| $V_{(VCC\_OUT)}$              | Voltage regulator output  | 5 V LDO version  |                              | 4.75 | 5   | 5.25 | V                |
|                               |   | 3.3 V LDO version  |                              | 3.13 | 3.3 | 3.46 | V                |
| $V_{(DROP)}$                  | Voltage regulator drop-out voltage ( $V_{(VCC)} - V_{(VCC\_OUT)}$ ) | $I_{CC} = 20\text{ mA}$ load current   | 5 V LDO                      |      |     | 1.9  | V                |
|                               |   |  | 3.3 V LDO                    |      |     | 1.4  | V                |
| REG                           | Line regulation ( $dV_{(VCC\_OUT)}/dV_{(VCC)}$ )                    | $I_{(VCC\_OUT)} = 1\text{ mA}$   |                              |      |     | 1.7  | mV/V             |
| $L_{REG}$                     | Load regulation ( $dV_{(VCC\_OUT)}/V_{(VCC\_OUT)}$ )                | $V_{(VCC)} = 24\text{ V}$ , $I_{(VCC\_OUT)} = 100\text{ }\mu\text{A}$ to 20 mA |                              |      |     | 1%   |                  |
| PSSR                          | Power Supply Rejection Ratio  | 100 kHz, $I_{(VCC\_OUT)} = 20\text{ mA}$                                       |                              | 40   |     |      | dB               |

- (1) Current fault indication will be active. Current fault auto recovery will be de-activated.
- (2) If operating continuously with this current limit, ensure that the current through the device does not cause the  $T_J$  to be greater than  $T_{(SDN)}$  for a given ambient temperature and thermal property of the system. For pulse durations  $t < 200\text{ }\mu\text{s}$ , the device can source or sink current of at least 500 mA across the recommended operating conditions.

## 6.7 Switching Characteristics

over operating free-air temperature range (unless otherwise noted)

| PARAMETER          |  | TEST CONDITIONS   | MIN | TYP | MAX  | UNIT          |               |
|--------------------|--|---|-----|-----|------|---------------|---------------|
| <b>DRIVER</b>      |  |   |     |     |      |               |               |
| $t_{PLH}, t_{PHL}$ | Driver propagation delay                             | See 图 7-3<br>$R_L = 2\text{ k}\Omega$<br>$C_L = 5\text{ nF}$<br>$R_{(SET)} = 10\text{ k}\Omega$ |     | 600 | 1200 | ns            |               |
| $t_{P(skew)}$      | Driver propagation delay skew. $ t_{PLH} - t_{PHL} $ |   |     | 75  |      | ns            |               |
| $t_{PZH}, t_{PZL}$ | Driver enable delay                                  |   |     |     |      | 4             | $\mu\text{s}$ |
| $t_{PHZ}, t_{PLZ}$ | Driver disable delay                                 |   |     |     |      | 4             | $\mu\text{s}$ |
| $t_r, t_f$         | Driver output rise, fall time                        |   |     | 200 |      | 700           | ns            |
| $ t_r - t_f $      | Difference in rise and fall time                     |   |     |     | 50   |               | ns            |
| $t_{SC}$           | Current fault blanking time                          |   |     | 175 | 200  |               | $\mu\text{s}$ |
| $t_{pSC}$          | Current fault indication delay                       |   |     |     | 280  | $\mu\text{s}$ |               |
| $t_{SCEN}$         | Current fault driver re-enable wait time             |   |     | 15  |      | ms            |               |
| $t_{(UVLO)}$       | OUT re-enable delay after UVLO <sup>(1)</sup>        | $V_{(UVLO)}$ rising threshold crossing time to CQ enable time                                   | 10  | 30  | 50   | ms            |               |

(1) CQ output remains Hi-Z for this time



### 6.8 Typical Characteristics

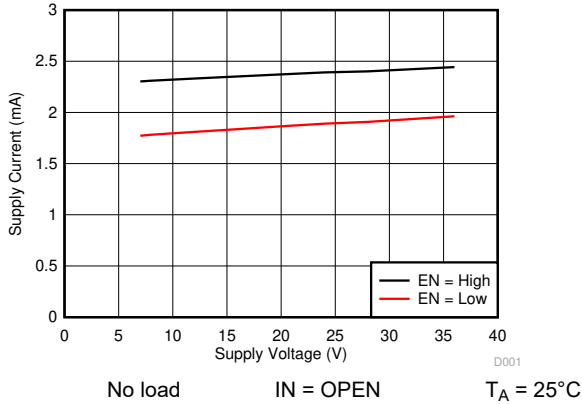


图 6-1. Supply Current vs Supply Voltage

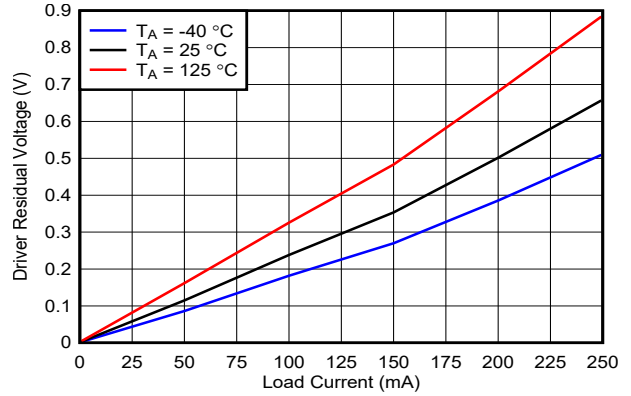


图 6-2. Residual Voltage vs Load Current: High Side

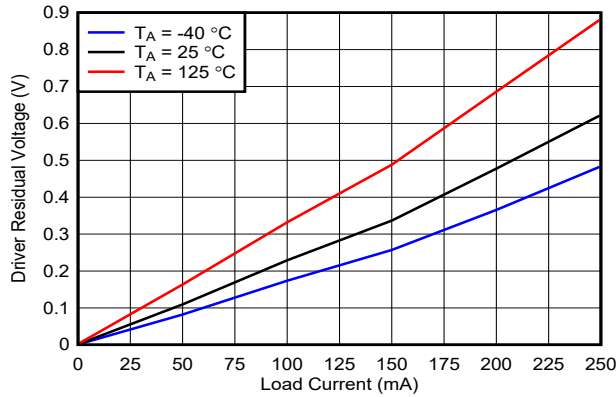


图 6-3. Residual Voltage vs Load Current: Low Side

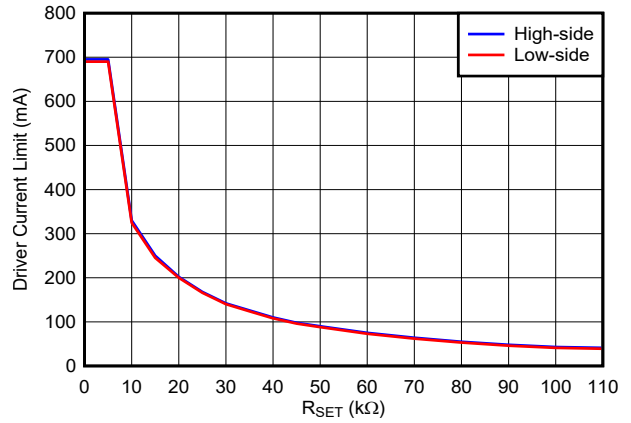
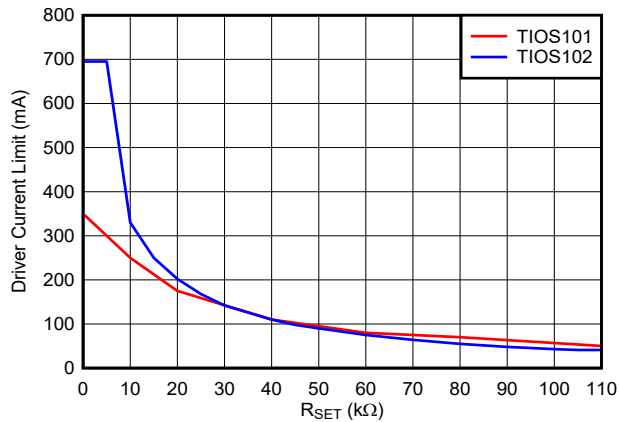


图 6-4. Current Limit vs RSET



$T_A = 25^\circ\text{C}$

图 6-5. Current Limit vs RSET : TIOS102(x) vs TIOS101(x)

## 7 Parameter Measurement Information

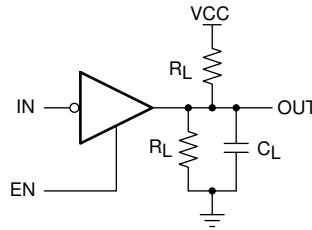


图 7-1. Test Circuit for Driver Switching

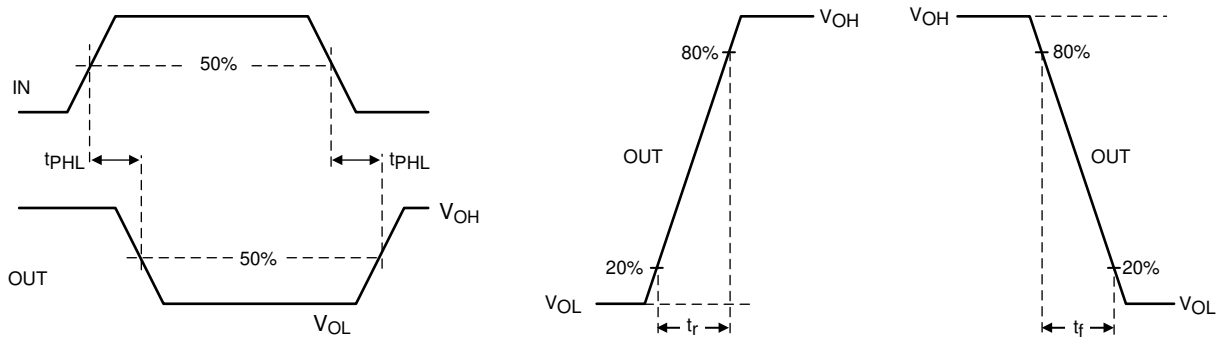


图 7-2. Waveforms for Driver Output Switching Measurements

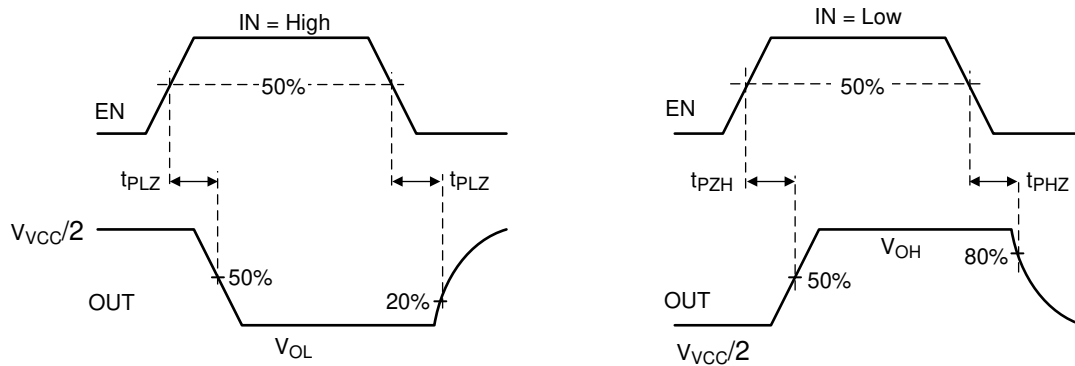


图 7-3. Waveforms for Driver Enable or Disable Time Measurements

## 8 Detailed Description

### 8.1 Overview

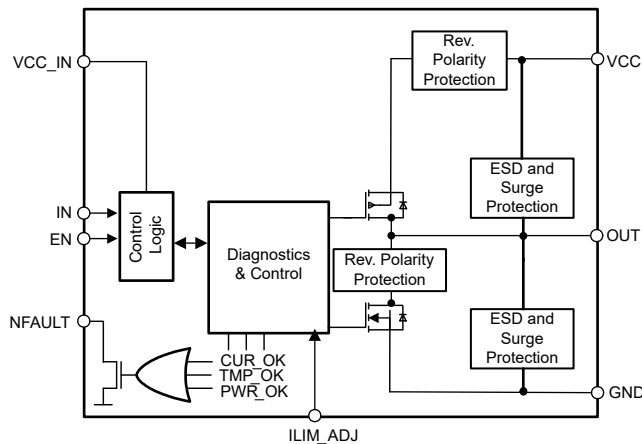
Figure 8-1 shows that the device driver output (OUT) can be used in a push-pull, high-side, or low-side configuration using the enable (EN) and transmit data (IN) input pins. OUT can drive resistive, large capacitive or large inductive loads.

TIOS102 and TIOS102x devices have integrated IEC 61000-4-4/5 EFT and surge protection. In addition, tolerance to  $\pm 65\text{-V}$  transients enables flexibility to choose from a wider range of TVS diodes if an application requires higher levels of protection. These integrated robustness features will simplify the system-level design by reducing the external protection circuitry.

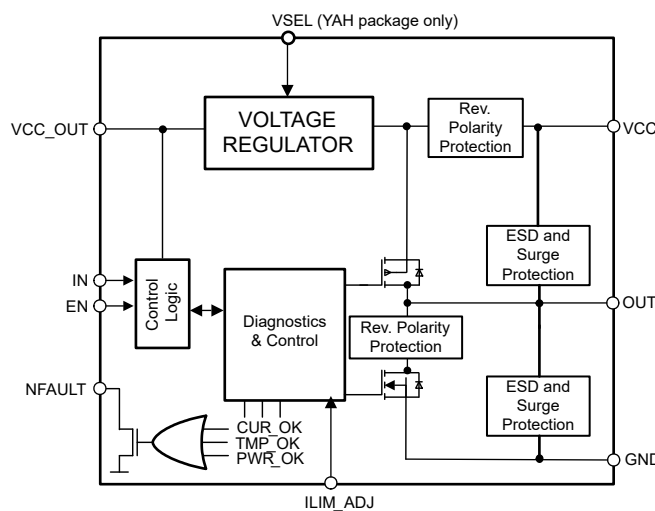
These devices implement protection features for over-current, over-voltage and over-temperature conditions. The devices also provide a current-limit setting of the driver output current using an external resistor.

The TIOS102x devices derive the low voltage supply from the typical 24 V industrial supply via an internal linear regulator to provide power to the local controller and sensor circuitry.

### 8.2 Functional Block Diagrams



**图 8-1. Block Diagram, TIOS102**



**图 8-2. Block Diagram, TIOS102x**

## 8.3 Feature Description

### 8.3.1 Current Limit Configuration

The output current can be configured with an external resistor on ILIM\_ADJ pin. The highest current limit setting with an external resistor of 10 k $\Omega$  specifies a minimum of 300 mA over the operating temperature and voltage range.

Output disable due to current fault and current fault auto recovery features can be disabled by floating ILIM\_ADJ pin. However, the current fault indication is still active in this configuration. This feature is useful when driving large capacitance.

When the ILIM\_ADJ pin is shorted to ground, the TIOS102(x) is configured to source or sink a minimum of 500 mA. In this mode, current fault indication is disabled. Output Disable and Auto Recovery feature is also disabled in this mode. The driver is disabled if the power dissipation in the device causes the junction temperature to reach  $T_{(SDN)}$ .

表 8-1. Current Limitation

| ILIM_ADJ Pin Condition  | OUT Current Limit (Min.)      | NFAULT Indication Due to Current Fault | Output Disable and Auto Recovery |
|---|-------------------------------|--|----------------------------------|
| R <sub>SET</sub> resistor to GND<br>(R <sub>SET</sub> : 10 k $\Omega$ to 110 k $\Omega$ ) | Variable<br>(35 mA to 300 mA) | Yes                                    | Yes                              |
| Connected to GND (R <sub>SET</sub> 0 to 5 k $\Omega$ )                                    | 500 mA                        | No                                     | No                               |
| OPEN  | 260 mA                        | Yes                                    | No                               |

### 8.3.2 Current Fault Detection, Indication and Auto Recovery

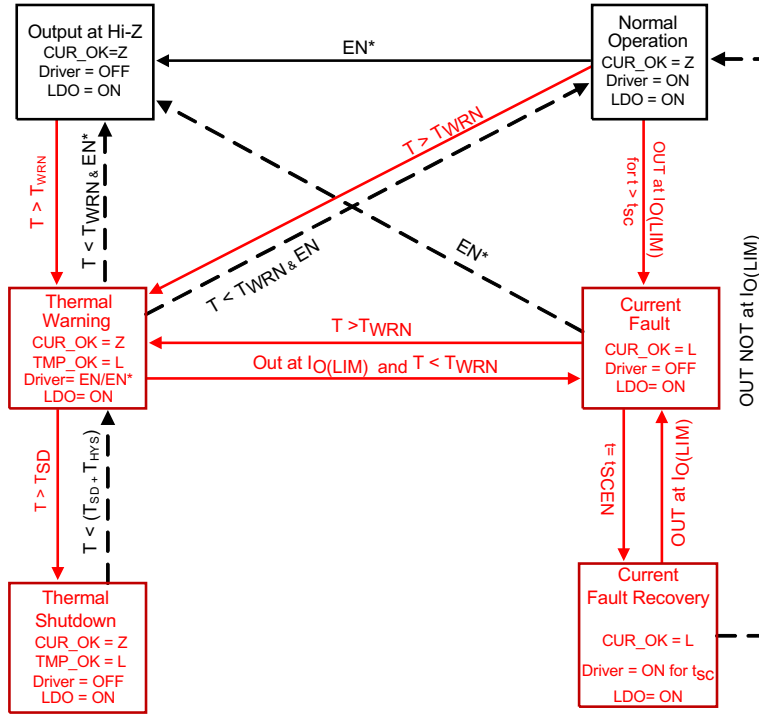
If the output current at OUT exceeds the internally set current limit  $I_{O(LIM)}$  for a duration longer than  $t_{SC}$ , the NFAULT pin is driven logic low to indicate a fault condition. The output is turned off, but the LDO continues to function. The output periodically retries to check if the output is still in the over current condition. In this mode, the output is switched on for  $t_{SC}$  in  $t_{SCEN}$  intervals. Current fault auto recovery mode can be disabled by setting ILIM\_ADJ = OPEN or GND. See 表 8-3. Toggling EN will clear NFAULT.

### 8.3.3 Thermal Warning, Thermal Shutdown

If the die temperature exceeds  $T_{(WRN)}$ , the NFAULT flag is held low indicating a potential over temperature problem. When the  $T_J$  exceeds  $T_{(SDN)}$ , The output is disabled but the LDO remains operational. As soon as the temperature drops below the temperature threshold (and after  $T_{(HYS)}$ ), the internal circuit re-enables the driver, subject to the state of the EN and IN pins.

### 8.3.4 Fault Reporting (NFAULT)

NFAULT is driven low if either a current fault condition is detected, die temperature has exceeded  $T_{(WRN)}$  or supply has dropped below the UVLO threshold. NFAULT returns to high-impedance as soon as all three fault conditions clear.



$$NFAULT = [CUR\_OK \ \&\& \ PWR\_OK \ \&\& \ TMP\_OK]$$

图 8-3. Device State Diagram

### 8.3.5 Device Function Tables

表 8-2. Driver Function

| EN       | IN       | OUT  | COMMENT                                   |
|----------|----------|------|---|
| L / Open | X        | Hi-Z | Device is in ready-to-receive state       |
| H        | L        | H    | OUT is sourcing current (high-side drive) |
| H        | H / Open | L    | OUT is sinking current (low-side drive)   |

表 8-3. Current Limit Indicator Function ( $t > t_{SC}$ )

| EN       | IN       | OUT CURRENT                | NFAULT | COMMENT   |
|----------|----------|----------------------------|--------|---|
| H        | H / Open | $ I_{(OUT)}  > I_{O(LIM)}$ | L      | OUT current exceeds the set limit for over $t_{SC}$     |
|          |          | $ I_{(OUT)}  < I_{O(LIM)}$ | Z      | Normal operation  |
| H        | L        | $ I_{(OUT)}  > I_{O(LIM)}$ | L      | OUT current exceeds the set limit for over $t_{SC}$     |
|          |          | $ I_{(OUT)}  < I_{O(LIM)}$ | Z      | Normal operation  |
| L / Open | X        | X                          | Z      | Driver is disabled, current limit indicator is inactive |

### 8.3.6 The Integrated Voltage Regulator (LDO)

The TIOS1023 and TIOS1025 each have an integrated linear voltage regulator (LDO) which can supply power to external components. The voltage regulator is specified for VCC voltages in the range of 7 V to 36 V (TIOS1025) or in the range of 5 V to 36 V (TIOS102, TIOS1023) with respect to GND. The LDO is capable of delivering up to 20 mA. The LDO output is current limited to 35-mA to limit the inrush current onto VCC\_OUT decoupling capacitors during initial power up.

In the DSBGA (YAH) package, TIOS1023L offers pin-configurable LDO output via VSEL pin. When VSEL is connected to GND, VCC\_OUT is configured to provide a 5-V output. When VSEL is left floating, VCC\_OUT provides a 3.3-V output.

表 8-4. LDO Output Configuration via VSEL pin (YAH Package)

| VSEL pin connection | VCC_OUT |
|---------------------|---------|
| GND                 | 5 V     |
| Floating            | 3.3 V   |

The LDO is designed to be stable with standard ceramic capacitors with values of 1  $\mu$ F or larger at the output. X5R- and X7R-type capacitors are best because they have minimal variation in value and ESR over temperature. Maximum ESR should be less than 1  $\Omega$ . With tolerance and dc bias effects, the minimum capacitance to ensure stability is 1  $\mu$ F.

### 8.3.7 Reverse Polarity Protection

Reverse polarity protection circuitry protects the devices against accidental reverse polarity connections to the VCC, OUT and GND pins. The maximum voltage between any of the pins may not exceed 65 V DC at any time.

图 8-4 和 图 8-5 shows all the possible connection combinations.

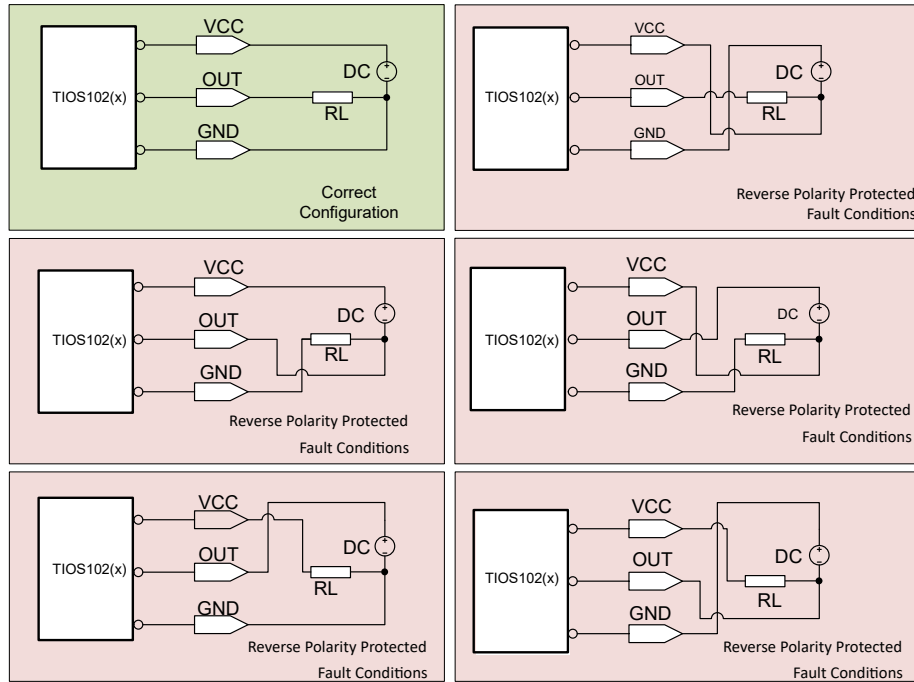


图 8-4. High-Side Driver Configuration

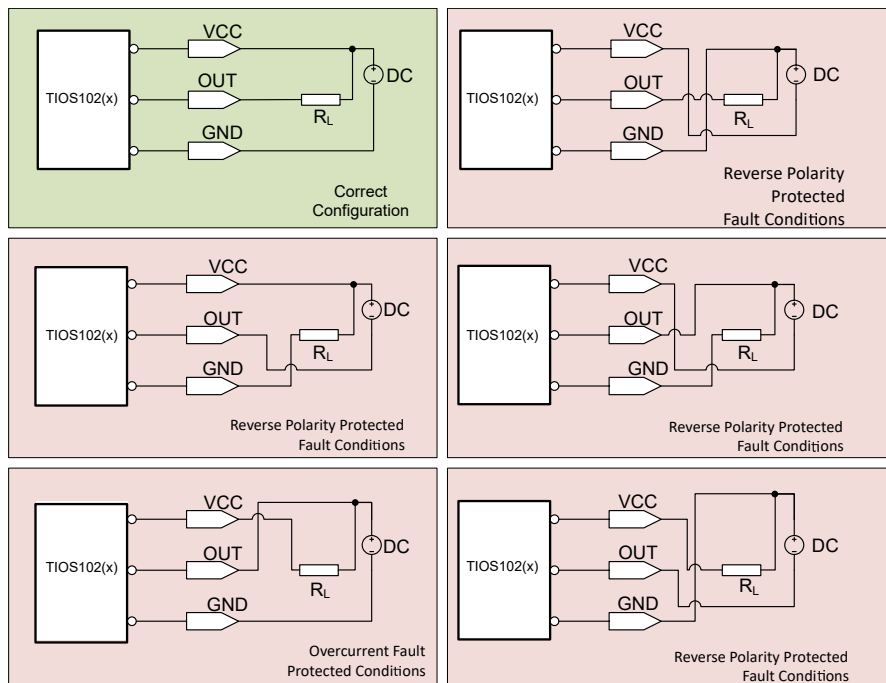
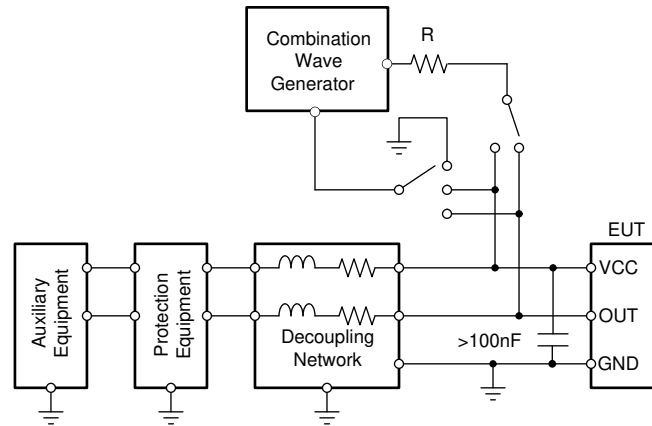


图 8-5. Low-Side Driver Configuration

### 8.3.8 Integrated Surge Protection and Transient Waveform Tolerance

The VCC and OUT pins of the device are capable of withstanding up to 1.2 kV of 1.2/50 - 8/20  $\mu$ s IEC 61000-4-5 surge with a source impedance of 500  $\Omega$ . The surge testing should be performed with a minimum 100 nF supply decoupling capacitor between VCC and GND, and 1  $\mu$ F between VCC\_IN/OUT and GND.

External TVS diodes may be required for higher transient protection levels. The system designer should ensure that the maximum clamping voltage of the external diodes should be < 65 V at the desired current level. The device is capable of withstanding up to  $\pm$ 65-V transient pulses < 100  $\mu$ s.



1.2/50 - 80/20  $\mu$ s CWG

R = 500  $\Omega$

图 8-6. Surge Test Setup

### 8.3.9 Power Up Sequence

VCC\_IN and VCC domains can be powered up in any sequence. In the event of VCC is powered and VCC\_IN is not, the OUT pin remains in high impedance.

### 8.3.10 Undervoltage Lock-Out (UVLO)

The device enters UVLO if the VCC voltage falls below  $V_{(UVLO)}$ . (For the device without the integrated LDO, the device monitors VCC\_IN in addition to VCC. UVLO happens if either supply falls below the threshold.)

As soon as the supply falls below  $V_{(UVLO)}$ , NFAULT is pulled low, the LDO is turned off and the OUT output is disabled (Hi-Z). Receiver performance is not specified in this mode.

When the supply rises above  $V_{(UVLO)}$ , NFAULT returns to Hi-Z (given no other fault conditions present) and the LDO will be enabled immediately. The OUT output will be turned on after  $T_{(UVLO)}$  delay.

## 8.4 Device Functional Modes

These devices can operate in three different modes.

### 8.4.1 NPN Configuration (N-Switch Mode)

Set IN pin high (or open) and use EN pin as control for realizing the function of an N-switch (low-side configuration) on OUT.

### 8.4.2 PNP Configuration (P-Switch Mode)

Set IN pin low and use EN pin as control for realizing the function of a P-switch (high-side configuration) on OUT.

### 8.4.3 Push-Pull Mode

Set EN pin high and toggle IN as control for realizing the function of a push-pull output on OUT. 表 8-5, 表 8-6, and 表 8-7 summarize the pin configurations to accomplish the functional modes.



**表 8-5. NPN Mode**

| EN       | IN       | OUT      |
|----------|----------|----------|
| L / Open | H / Open | Hi-Z     |
| H        | H / Open | N-Switch |

**表 8-6. PNP Mode**

| EN       | IN | OUT      |
|----------|----|----------|
| L / Open | L  | Hi-Z     |
| H        | L  | P-Switch |

**表 8-7. Push-Pull Mode**

| EN       | IN       | OUT      |
|----------|----------|----------|
| L / Open | X        | Hi-Z     |
| H        | H / Open | N-Switch |
| H        | L        | P-Switch |

## 9 Application Information Disclaimer

### 备注

以下应用部分中的信息不属于 TI 器件规格的范围，TI 不担保其准确性和完整性。TI 的客户应负责确定器件是否适用于其应用。客户应验证并测试其设计，以确保系统功能。

### 9.1 Application Information

TIOS102 and TIOS102x are robust 24-V digital drivers for industrial sensors.

### 9.2 Typical Application

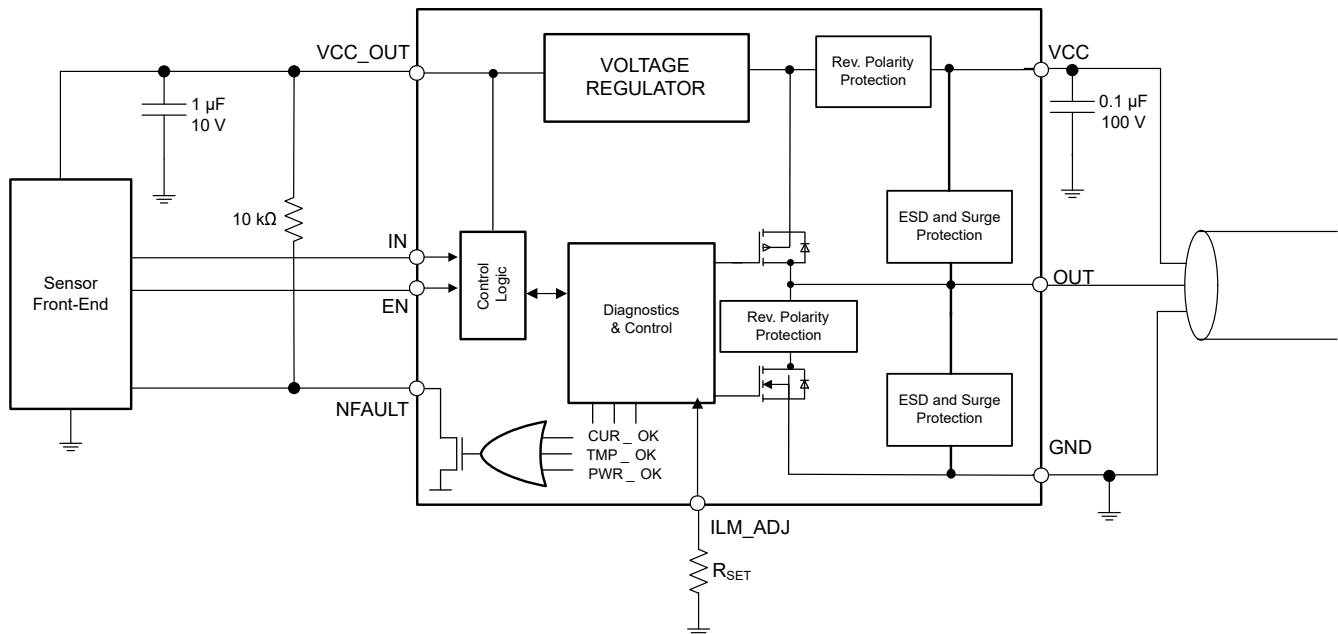


图 9-1. Typical Application Schematic

#### 9.2.1 Design Requirements

表 9-1 shows recommended components for a typical system design.

表 9-1. Design Parameters

| PARAMETERS                                    | Design Requirement | TIOS102(x) Specification  |
|---|--------------------|---|
| Input voltage range (VCC)                     | 24 V, 30 V (max)   | 7 V to 36 V (TIOS1025)  |
| Output current (OUT)                          | 200 mA             | Choose 250 mA limit with $R_{SET} = 27\text{ k}\Omega$            |
| Output voltage (VCC_OUT), Pick TIOS1025       | 5 V                | Choose TIOS1025; VCC_OUT = 5 V                                    |
| Maximum LDO output current ( $I_{VCC(OUT)}$ ) | 5 mA               | $I_{VCC(OUT)}$ : Up to 20 mA                                      |
| Pull-up resistors for NFAULT                  | 10 kΩ              | 10 kΩ   |
| VCC decoupling capacitor                      | 0.1 μF / 100 V     | 0.1 μF / 100 V  |
| LDO output capacitor                          | 1 μF / 10 V        | 1 μF / 10 V   |
| Maximum Ambient Temperature, $T_A$            | 105°C              | TIOS102(x) can support up to $T_A$ of 125 °C if $T_J < T_{(SDN)}$ |

## 9.2.2 Detailed Design Procedure

### 9.2.2.1 最高结温检查

对于 200mA 电流限制：

- $k\Omega$  驱动器输出电流限制、 $I_{O(LIM)} = 250\text{mA}$  (允许电流限制容差)； $R_{SET} = 27\ \mu\text{A}$
- 电流为 250mA 时、高侧开关上的最大压降为  $V_{DS(on)} = 1.1\text{V}$

这会导致功耗为：

$$PD_{OP} = V_{DS(ON)} \times I_{O(LIM)} = 1.1\text{V} \times 250\text{mA} = 275\text{mW} \quad (1)$$

对于 5mA LDO 电流输出、

$$PD_{LDO} = (V_{L+} - V_{VCC_{OUT}}) \times I_{VCC_{OUT}} = (30 - 5)\text{V} \times 5\text{mA} = 125\text{mW} \quad (2)$$

总功率耗散、

$$PD = PD_{LDO} + PD_{OP} = 275\text{mW} + 125\text{mW} = 400\text{mW} \quad (3)$$

将该值与结至环境热阻  $\theta_{JA} = 45.9^\circ\text{C/W}$  相乘(摘自 *热性能信息表*)以获得结温  $T_J$  和环境温度  $T_A$  之间的差值：

$$\Delta T = T_J - T_A = PD \times \theta_{JA} = 400\text{mW} \times 45.9^\circ\text{C/W} = 18.36^\circ\text{C} \quad (4)$$

将此值添加到  $T_A = 105^\circ\text{C}$  的最高环境温度中、以接收最终结温：

$$T_J = T_A + \Delta T = T_A + PD \times \theta_{JA} = 105^\circ\text{C} + 400\text{mW} \times 45.9^\circ\text{C/W} = 105^\circ\text{C} + 18.36^\circ\text{C} = 123.36^\circ\text{C} \quad (5)$$

只要  $T_J$  低于  $150^\circ\text{C}$  的建议最大值、就不会发生热关断。然而、结温更接近  $T_{WRn}$ 、并且如果结温上升至高于  $T_{WRn}$ 、则可能会生成热警告。

请注意、可能需要对整个系统进行建模、以预测较小 PCB 和/或外壳中无气流的结温。

### 9.2.2.2 Driving Capacitive Loads

These devices are capable of driving capacitive loads on the OUT output. Assuming a pure capacitive load without series/parallel resistance, the maximum capacitance that can be charged without triggering current fault can be calculated as:

$$C_{LOAD} = \frac{[I_{O(LIM)} \times t_{SC}]}{V_{(VCC)}} \quad (6)$$

To drive higher capacitive loads and avoid overcurrent condition disabling the driver, it is recommended to leave ILIM\_ADJ pin floating. With ILIM\_ADJ floating, TIOS102(x) indicates overcurrent fault without blanking time delay ( $t_{SC}$ ) but does not disable the driver. Another approach is to drive high capacitive loads with a series resistor between the output and the load to avoid overcurrent condition. Capacitive loads can be connected to GND or VCC

### 9.2.2.3 Driving Inductive Loads

The TIOS102(x) family is capable of magnetizing and demagnetizing large inductive loads. These devices contain internal circuitry that enables fast demagnetization when configured as either P-switch or N-switch mode.

In P-switch configuration, the load inductor L is magnetized when the OUT pin is driven high. When the PNP is turned off, there is a significant amount of negative inductive kick back at the OUT pin. This voltage is clamped internally at about -15 V.

Similarly, in N-switch configuration, the load inductor L is magnetized when the OUT pin is driven low. When the NPN is turned off, there is a significant amount of positive inductive kick back at the OUT pin. This voltage is clamped internally at about 15 V.

The equivalent protection circuits are shown in [图 9-2](#) and [图 9-3](#). The minimum value of the resistive load R can be calculated as:

$$R = \frac{V_{(VCC)}}{I_{O(LIM)}} \tag{7}$$

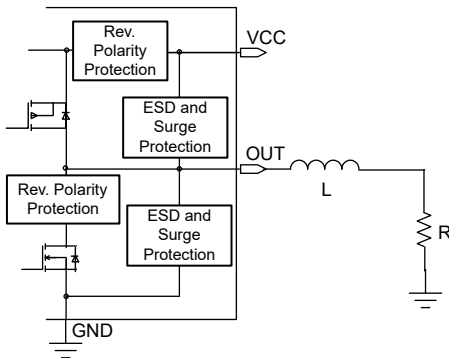


图 9-2. PNP Mode

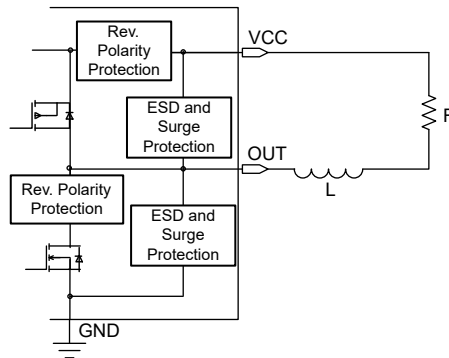


图 9-3. NPN Mode

### 9.2.3 Application Curves

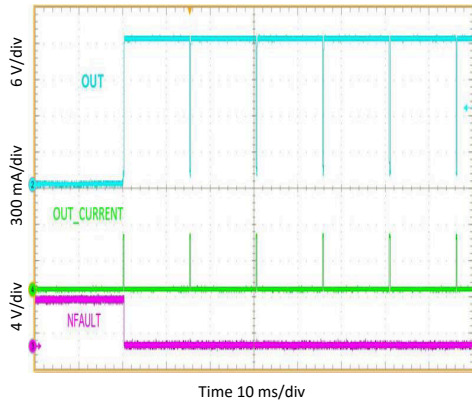


图 9-4. OUT In Current Fault Auto Recovery, Low Side Mode

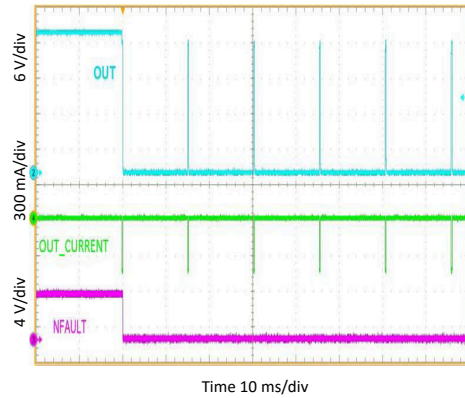
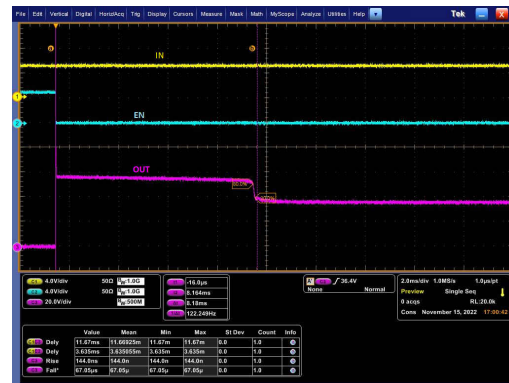


图 9-5. OUT In Current Fault Auto Recovery, High Side Mode



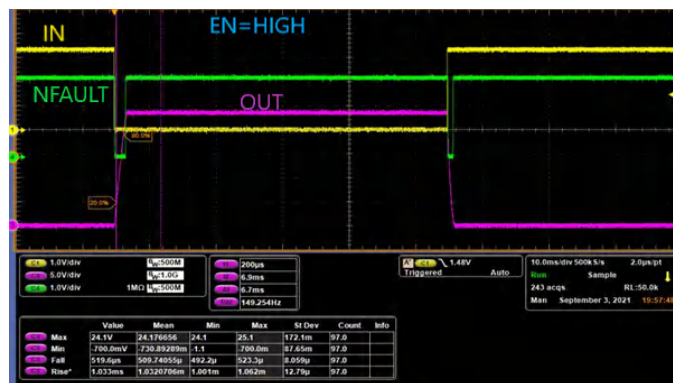
VCC = 36 V  
RSET = 10 kΩ  
L = 1.5 H R<sub>L</sub> = 360 Ω  
T<sub>A</sub> = 25 °C

图 9-6. OUT Driving Inductive Load, High Side Mode (PNP)



VCC = 36 V  
RSET = 10 kΩ  
L = 1.5 H R<sub>L</sub> = 360 Ω  
T<sub>A</sub> = 25 °C

图 9-7. OUT Driving Inductive Load, Low Side Mode (NPN)



NFAULT indicated for the duration of charging and discharging of the capacitor but driver is not disabled when ILIM\_ADJ is floating.  
VCC = 24 V  
C<sub>L</sub> = 20 μF R<sub>L</sub> = 100 Ω  
RSET = 1 MΩ (ILIM\_ADJ Floating)  
T<sub>A</sub> = 25 °C

图 9-8. OUT Driving Capacitive Load, Push-Pull Mode

## 10 Power Supply Recommendations

The TIOS102 and TIOS102x are designed to operate from a 24-V nominal supply at VCC, but can operate from supply voltage range of 7 V to 36 V (TIOS1025) or 4.75 V to 36 V (TIOS102, TIOS1023). This supply should be buffered with at least a 100-nF/100-V capacitor.

## 11 Layout

### 11.1 Layout Guidelines

- Use of a 4-layer board is recommended for good heat conduction. Use layer 1 (top layer) for control signals, layer 2 as GND, layer 3 for the 24-V supply plane (VCC), and layer 4 for the regulated output supply (VCC\_IN/OUT).
- Connect the thermal pad to GND with maximum amount of thermal vias for best thermal performance.
- Use entire planes for VCC, VCC\_IN/OUT and GND to assure minimum inductance.
- The VCC terminal must be decoupled to ground with a low-ESR ceramic decoupling capacitor with a minimum value of 100 nF. The capacitor must have a voltage rating of 50 V minimum (100 V depending on max sensor supply fault rating) and an X5R or X7R dielectric.
- • The optimum placement of the capacitor is closest to the VCC and GND terminals to reduce supply drops during large supply current loads. See [图 11-1](#) for a PCB layout example.
- Connect all open-drain control outputs via 10 k $\Omega$  pull-up resistors to the VCC\_IN/OUT plane to provide a defined voltage potential to the system controller inputs when the outputs are high-impedance.
- Connect the R<sub>SET</sub> resistor between ILIM\_ADJ and GND.
- Decouple the regulated output voltage at VCC\_IN/OUT to ground with a low-ESR, 1  $\mu$ F, ceramic decoupling capacitor. The capacitor should have a voltage rating of 10 V minimum and an X5R or X7R dielectric.

### 11.2 Layout Example

- VIA to Layer 2: Power Ground Plane (VCC)
- VIA to Layer 3: 24V Supply Plane (GND)
- VIA to Layer 4: Regulated Supply Plane (VCC\_IN/OUT)

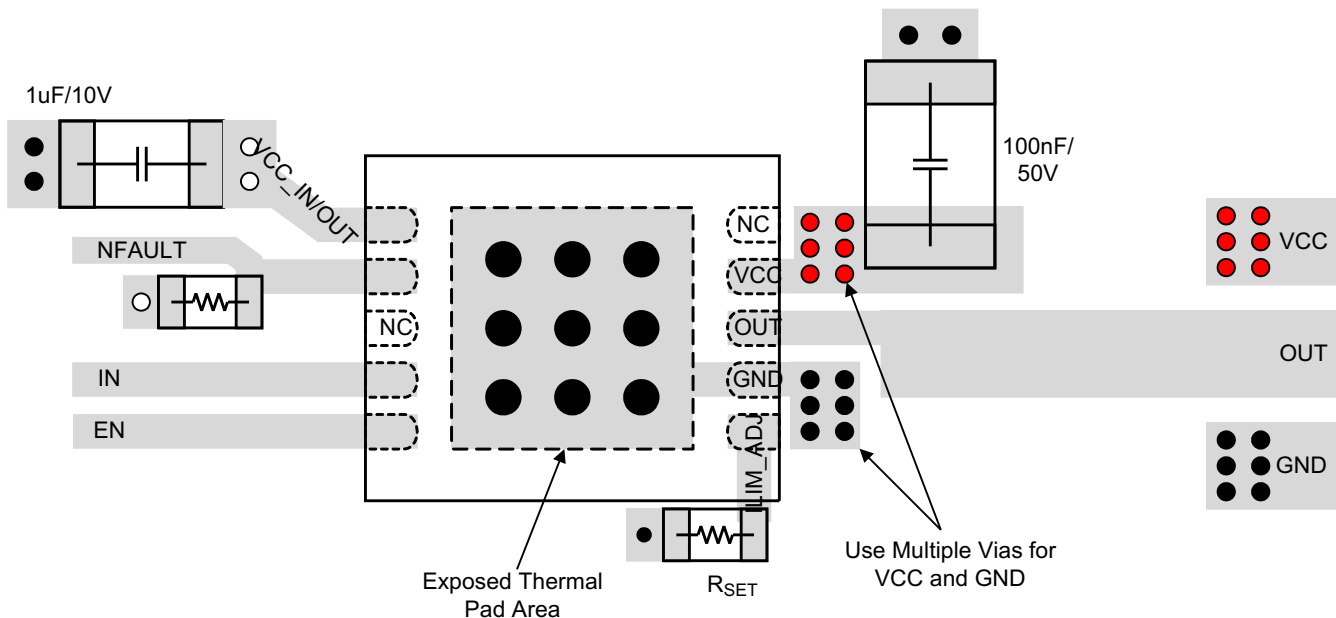


图 11-1. Layout Example

## 12 Device and Documentation Support

### 12.1 接收文档更新通知

要接收文档更新通知，请导航至 [ti.com](https://www.ti.com) 上的器件产品文件夹。点击 [订阅更新](#) 进行注册，即可每周接收产品信息更改摘要。有关更改的详细信息，请查看任何已修订文档中包含的修订历史记录。

### 12.2 支持资源

TI E2E™ [支持论坛](#) 是工程师的重要参考资料，可直接从专家获得快速、经过验证的解答和设计帮助。搜索现有解答或提出自己的问题可获得所需的快速设计帮助。

链接的内容由各个贡献者“按原样”提供。这些内容并不构成 TI 技术规范，并且不一定反映 TI 的观点；请参阅 TI 的 [《使用条款》](#)。

### 12.3 Trademarks

TI E2E™ is a trademark of Texas Instruments.  
所有商标均为其各自所有者的财产。

### 12.4 静电放电警告



静电放电 (ESD) 会损坏这个集成电路。德州仪器 (TI) 建议通过适当的预防措施处理所有集成电路。如果不遵守正确的处理和安装程序，可能会损坏集成电路。

ESD 的损坏小至导致微小的性能降级，大至整个器件故障。精密的集成电路可能更容易受到损坏，这是因为非常细微的参数更改都可能会导致器件与其发布的规格不相符。

### 12.5 术语表

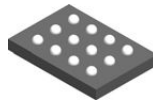
[TI 术语表](#) 本术语表列出并解释了术语、首字母缩略词和定义。

## 13 Mechanical, Packaging, and Orderable Information

The following pages include mechanical, packaging, and orderable information. This information is the most current data available for the designated devices. This data is subject to change without notice and revision of this document. For browser-based versions of this data sheet, refer to the left-hand navigation.



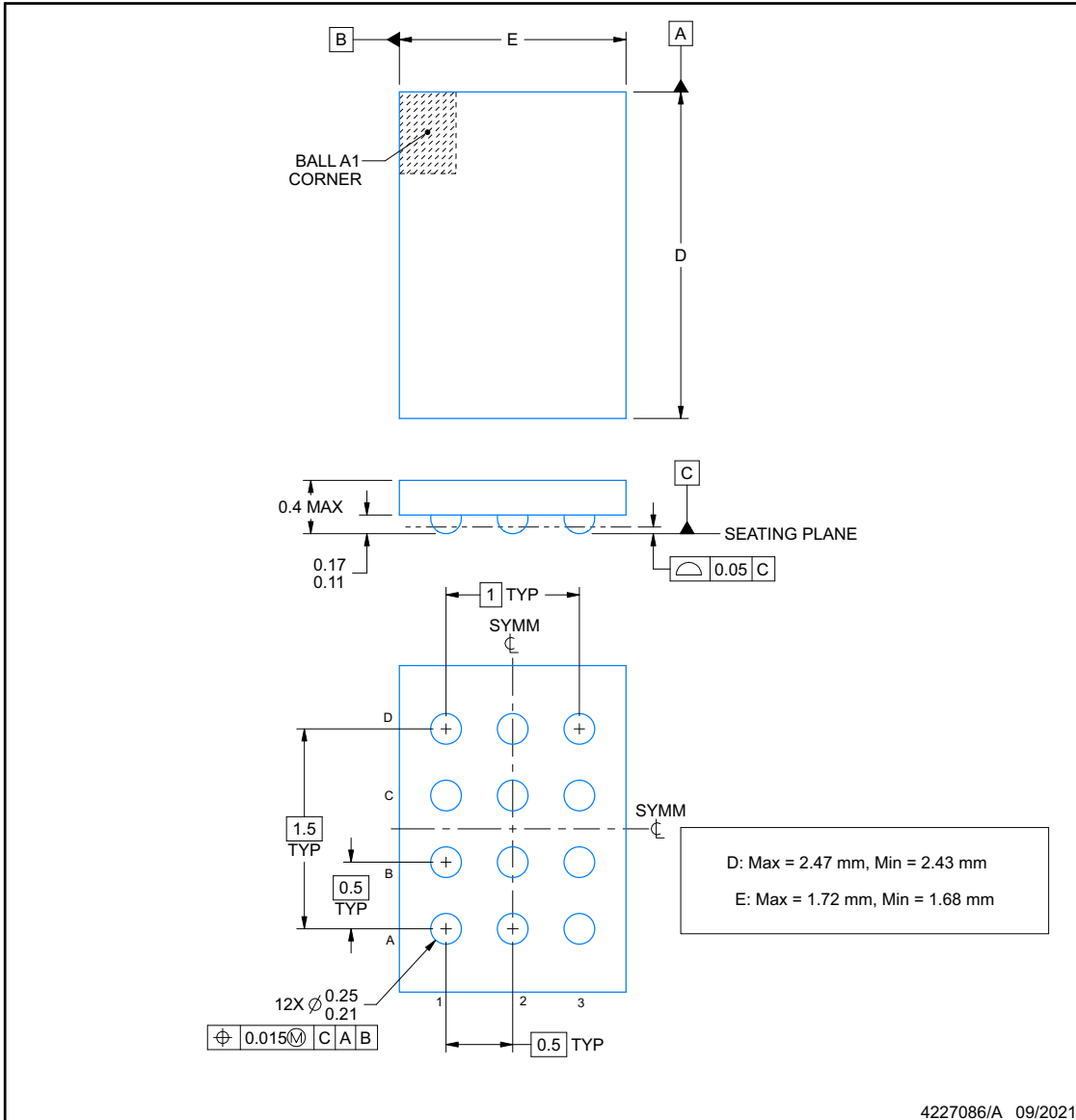
13.1 Mechanical Data



**YAH0012-C01**

**PACKAGE OUTLINE**  
**DSBGA - 0.4 mm max height**

DIE SIZE BALL GRID ARRAY



NOTES:

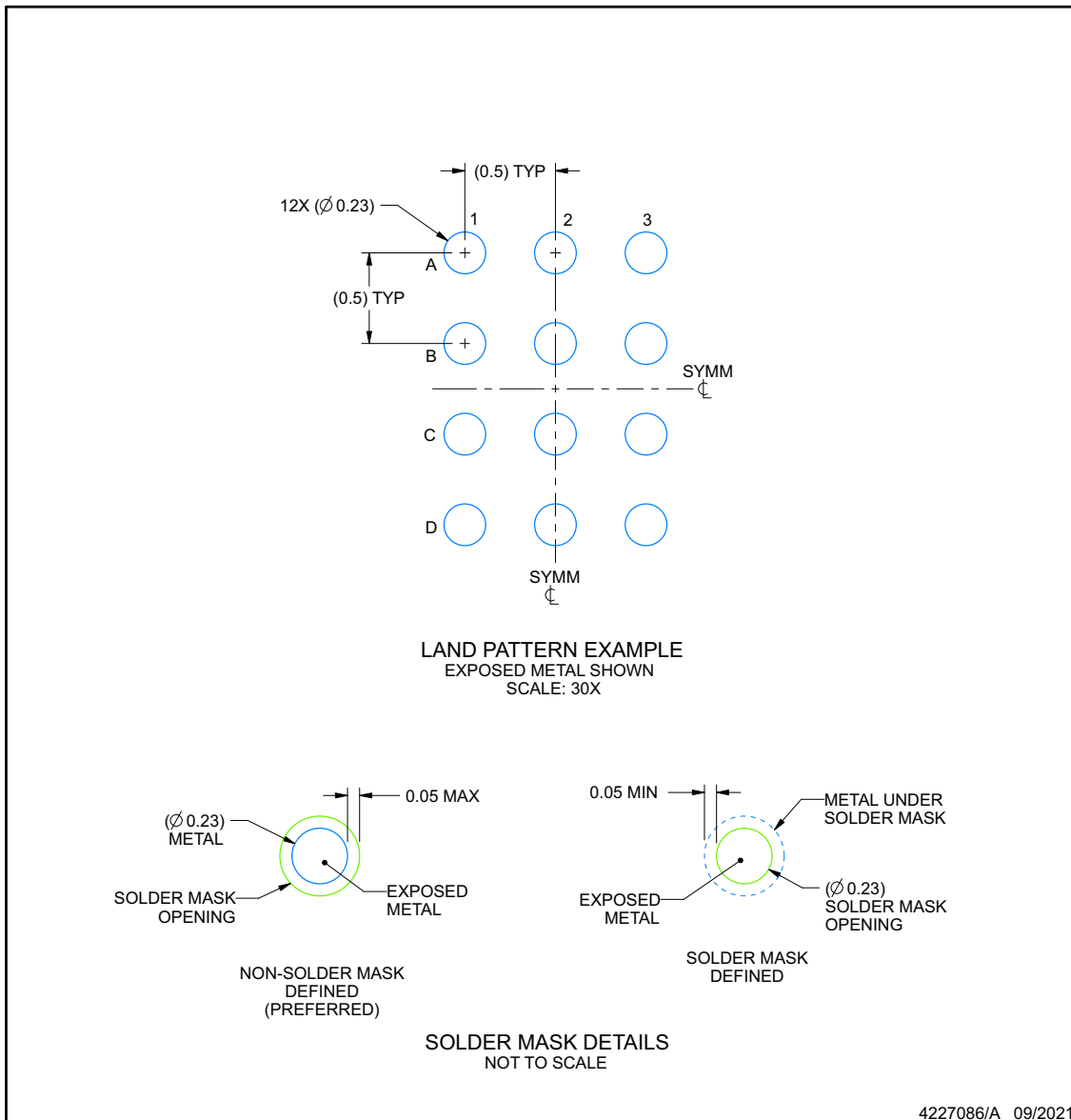
1. All linear dimensions are in millimeters. Any dimensions in parenthesis are for reference only. Dimensioning and tolerancing per ASME Y14.5M.
2. This drawing is subject to change without notice.

## EXAMPLE BOARD LAYOUT

**YAH0012-C01**

**DSBGA - 0.4 mm max height**

DIE SIZE BALL GRID ARRAY



NOTES: (continued)

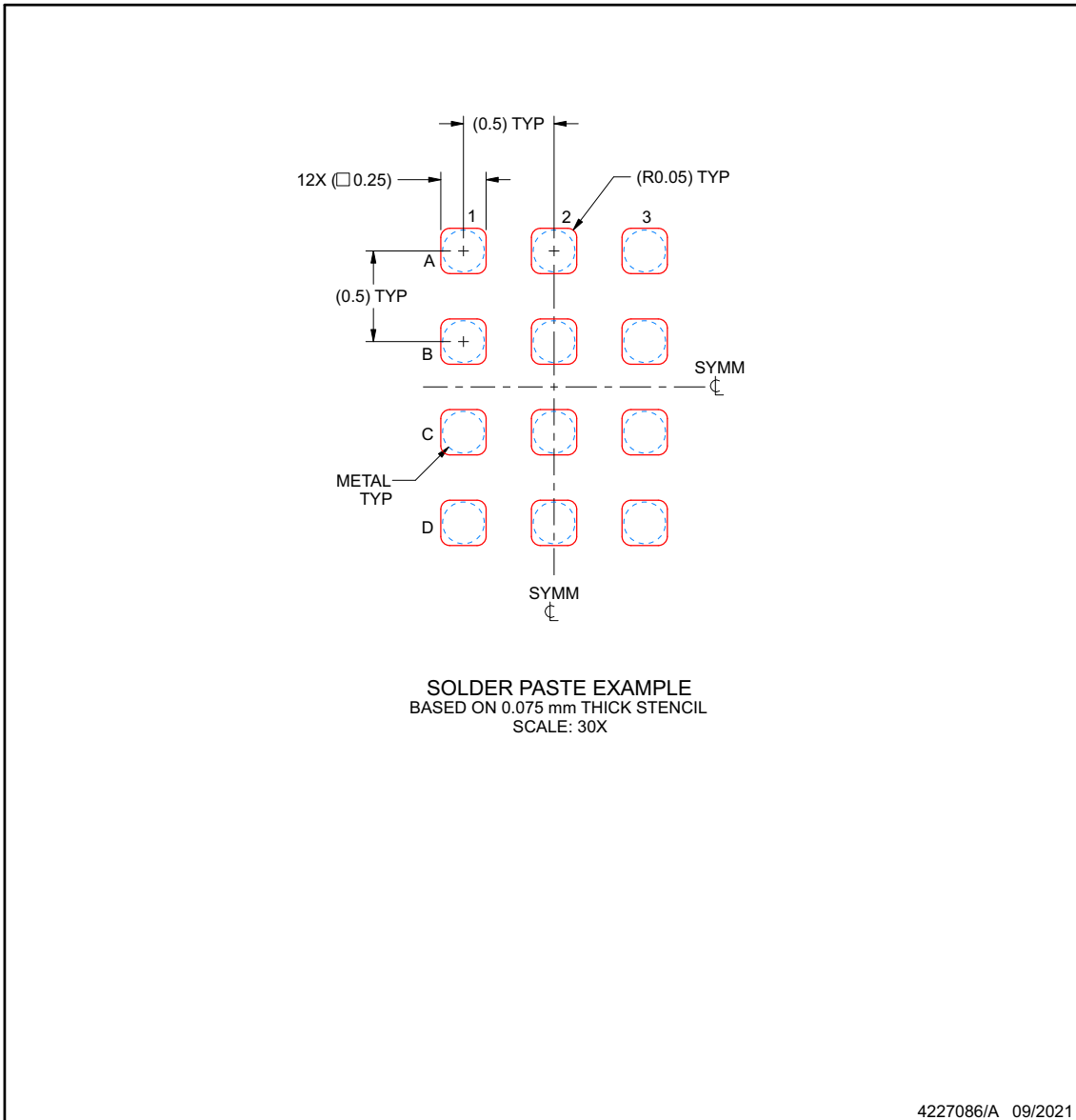
- Final dimensions may vary due to manufacturing tolerance considerations and also routing constraints. See Texas Instruments Literature No. SNVA009 ([www.ti.com/lit/snva009](http://www.ti.com/lit/snva009)).

**EXAMPLE STENCIL DESIGN**

**YAH0012-C01**

**DSBGA - 0.4 mm max height**

DIE SIZE BALL GRID ARRAY



NOTES: (continued)

- 4. Laser cutting apertures with trapezoidal walls and rounded corners may offer better paste release.

**PACKAGING INFORMATION**

| Orderable Device | Status<br>(1) | Package Type | Package Drawing | Pins | Package Qty | Eco Plan<br>(2) | Lead finish/<br>Ball material<br>(6) | MSL Peak Temp<br>(3) | Op Temp (°C) | Device Marking<br>(4/5) | Samples                 |
|------------------|---------------|--------------|-----------------|------|-------------|-----------------|--------------------------------------|----------------------|--------------|-------------------------|-------------------------|
| TIOS1023DRRCR    | ACTIVE        | VSON         | DRC             | 10   | 5000        | RoHS & Green    | NIPDAU                               | Level-2-260C-1 YEAR  | -40 to 125   | 1023                    | <a href="#">Samples</a> |
| TIOS1023LYAHR    | ACTIVE        | DSBGA        | YAH             | 12   | 1500        | RoHS & Green    | SNAGCU                               | Level-1-260C-UNLIM   | -40 to 125   | T102L                   | <a href="#">Samples</a> |
| TIOS1025DRRCR    | ACTIVE        | VSON         | DRC             | 10   | 5000        | RoHS & Green    | NIPDAU                               | Level-2-260C-1 YEAR  | -40 to 125   | 1025                    | <a href="#">Samples</a> |
| TIOS102DRRCR     | ACTIVE        | VSON         | DRC             | 10   | 5000        | RoHS & Green    | NIPDAU                               | Level-2-260C-1 YEAR  | -40 to 125   | 102                     | <a href="#">Samples</a> |
| TIOS102YAHR      | ACTIVE        | DSBGA        | YAH             | 12   | 1500        | RoHS & Green    | SNAGCU                               | Level-1-260C-UNLIM   | -40 to 125   | TS102                   | <a href="#">Samples</a> |

(1) The marketing status values are defined as follows:

**ACTIVE:** Product device recommended for new designs.

**LIFEBUY:** TI has announced that the device will be discontinued, and a lifetime-buy period is in effect.

**NRND:** Not recommended for new designs. Device is in production to support existing customers, but TI does not recommend using this part in a new design.

**PREVIEW:** Device has been announced but is not in production. Samples may or may not be available.

**OBSELETE:** TI has discontinued the production of the device.

(2) **RoHS:** TI defines "RoHS" to mean semiconductor products that are compliant with the current EU RoHS requirements for all 10 RoHS substances, including the requirement that RoHS substance do not exceed 0.1% by weight in homogeneous materials. Where designed to be soldered at high temperatures, "RoHS" products are suitable for use in specified lead-free processes. TI may reference these types of products as "Pb-Free".

**RoHS Exempt:** TI defines "RoHS Exempt" to mean products that contain lead but are compliant with EU RoHS pursuant to a specific EU RoHS exemption.

**Green:** TI defines "Green" to mean the content of Chlorine (Cl) and Bromine (Br) based flame retardants meet JS709B low halogen requirements of <=1000ppm threshold. Antimony trioxide based flame retardants must also meet the <=1000ppm threshold requirement.

(3) MSL, Peak Temp. - The Moisture Sensitivity Level rating according to the JEDEC industry standard classifications, and peak solder temperature.

(4) There may be additional marking, which relates to the logo, the lot trace code information, or the environmental category on the device.

(5) Multiple Device Markings will be inside parentheses. Only one Device Marking contained in parentheses and separated by a "~" will appear on a device. If a line is indented then it is a continuation of the previous line and the two combined represent the entire Device Marking for that device.

(6) Lead finish/Ball material - Orderable Devices may have multiple material finish options. Finish options are separated by a vertical ruled line. Lead finish/Ball material values may wrap to two lines if the finish value exceeds the maximum column width.

**Important Information and Disclaimer:** The information provided on this page represents TI's knowledge and belief as of the date that it is provided. TI bases its knowledge and belief on information provided by third parties, and makes no representation or warranty as to the accuracy of such information. Efforts are underway to better integrate information from third parties. TI has taken and continues to take reasonable steps to provide representative and accurate information but may not have conducted destructive testing or chemical analysis on incoming materials and chemicals. TI and TI suppliers consider certain information to be proprietary, and thus CAS numbers and other limited information may not be available for release.

In no event shall TI's liability arising out of such information exceed the total purchase price of the TI part(s) at issue in this document sold by TI to Customer on an annual basis.

**TAPE AND REEL INFORMATION**

**QUADRANT ASSIGNMENTS FOR PIN 1 ORIENTATION IN TAPE**


\*All dimensions are nominal

| Device        | Package Type | Package Drawing | Pins | SPQ  | Reel Diameter (mm) | Reel Width W1 (mm) | A0 (mm) | B0 (mm) | K0 (mm) | P1 (mm) | W (mm) | Pin1 Quadrant |
|---------------|--------------|-----------------|------|------|--------------------|--------------------|---------|---------|---------|---------|--------|---------------|
| TIOS1023DRCR  | VSON         | DRC             | 10   | 5000 | 330.0              | 12.4               | 3.3     | 3.3     | 1.1     | 8.0     | 12.0   | Q2            |
| TIOS1023LYAHR | DSBGA        | YAH             | 12   | 1500 | 180.0              | 8.4                | 1.88    | 2.63    | 0.53    | 4.0     | 8.0    | Q1            |
| TIOS1025DRCR  | VSON         | DRC             | 10   | 5000 | 330.0              | 12.4               | 3.3     | 3.3     | 1.1     | 8.0     | 12.0   | Q2            |
| TIOS102DRCR   | VSON         | DRC             | 10   | 5000 | 330.0              | 12.4               | 3.3     | 3.3     | 1.1     | 8.0     | 12.0   | Q2            |
| TIOS102YAHR   | DSBGA        | YAH             | 12   | 1500 | 180.0              | 8.4                | 1.88    | 2.63    | 0.53    | 4.0     | 8.0    | Q1            |

**TAPE AND REEL BOX DIMENSIONS**


\*All dimensions are nominal

| Device        | Package Type | Package Drawing | Pins | SPQ  | Length (mm) | Width (mm) | Height (mm) |
|---------------|--------------|-----------------|------|------|-------------|------------|-------------|
| TIOS1023DRCR  | VSON         | DRC             | 10   | 5000 | 367.0       | 367.0      | 35.0        |
| TIOS1023LYAHR | DSBGA        | YAH             | 12   | 1500 | 182.0       | 182.0      | 20.0        |
| TIOS1025DRCR  | VSON         | DRC             | 10   | 5000 | 367.0       | 367.0      | 35.0        |
| TIOS102DRCR   | VSON         | DRC             | 10   | 5000 | 367.0       | 367.0      | 35.0        |
| TIOS102YAHR   | DSBGA        | YAH             | 12   | 1500 | 182.0       | 182.0      | 20.0        |

## GENERIC PACKAGE VIEW

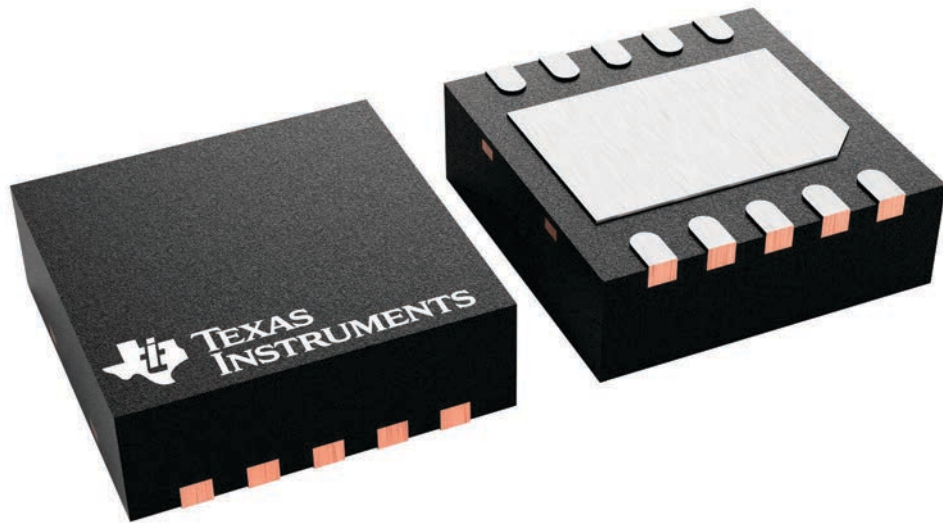
**DRC 10**

**VSON - 1 mm max height**

3 x 3, 0.5 mm pitch

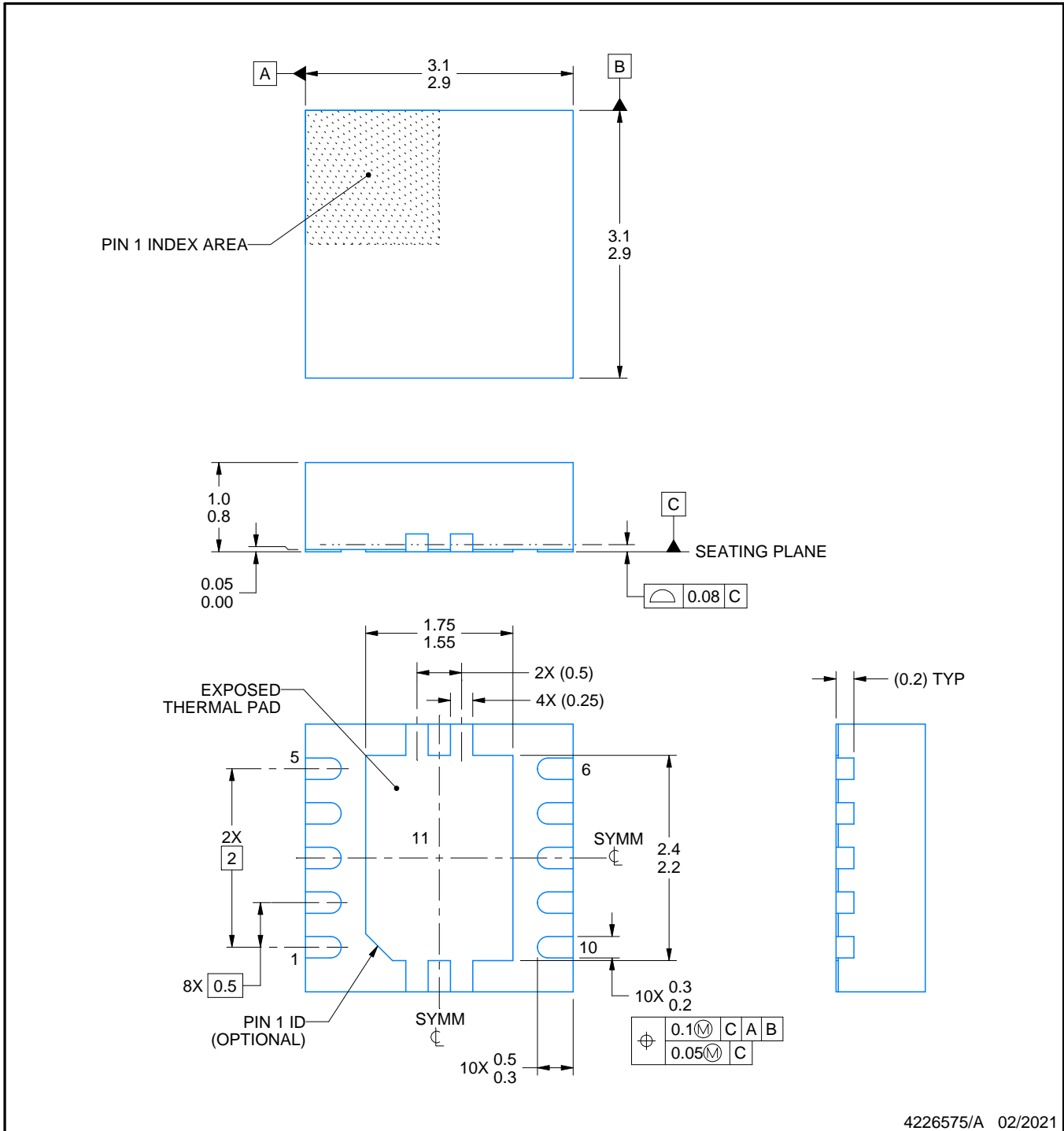
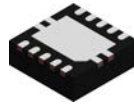
PLASTIC SMALL OUTLINE - NO LEAD

This image is a representation of the package family, actual package may vary.  
Refer to the product data sheet for package details.



4226193/A





4226575/A 02/2021

NOTES:

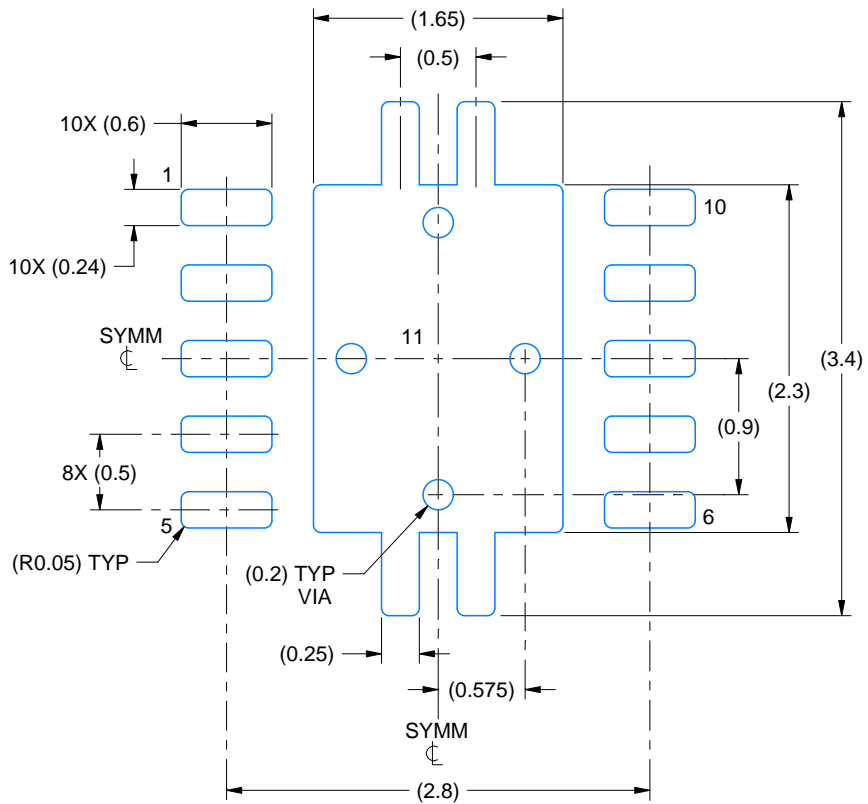
1. All linear dimensions are in millimeters. Any dimensions in parenthesis are for reference only. Dimensioning and tolerancing per ASME Y14.5M.
2. This drawing is subject to change without notice.
3. The package thermal pad must be soldered to the printed circuit board for optimal thermal and mechanical performance.

# EXAMPLE BOARD LAYOUT

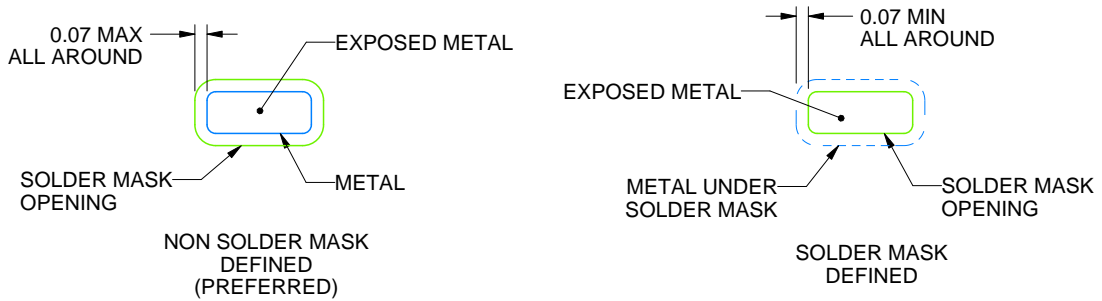
DRC0010V

VSON - 1 mm max height

PLASTIC SMALL OUTLINE - NO LEAD



LAND PATTERN EXAMPLE  
EXPOSED METAL SHOWN  
SCALE:20X



SOLDER MASK DETAILS

4226575/A 02/2021

NOTES: (continued)

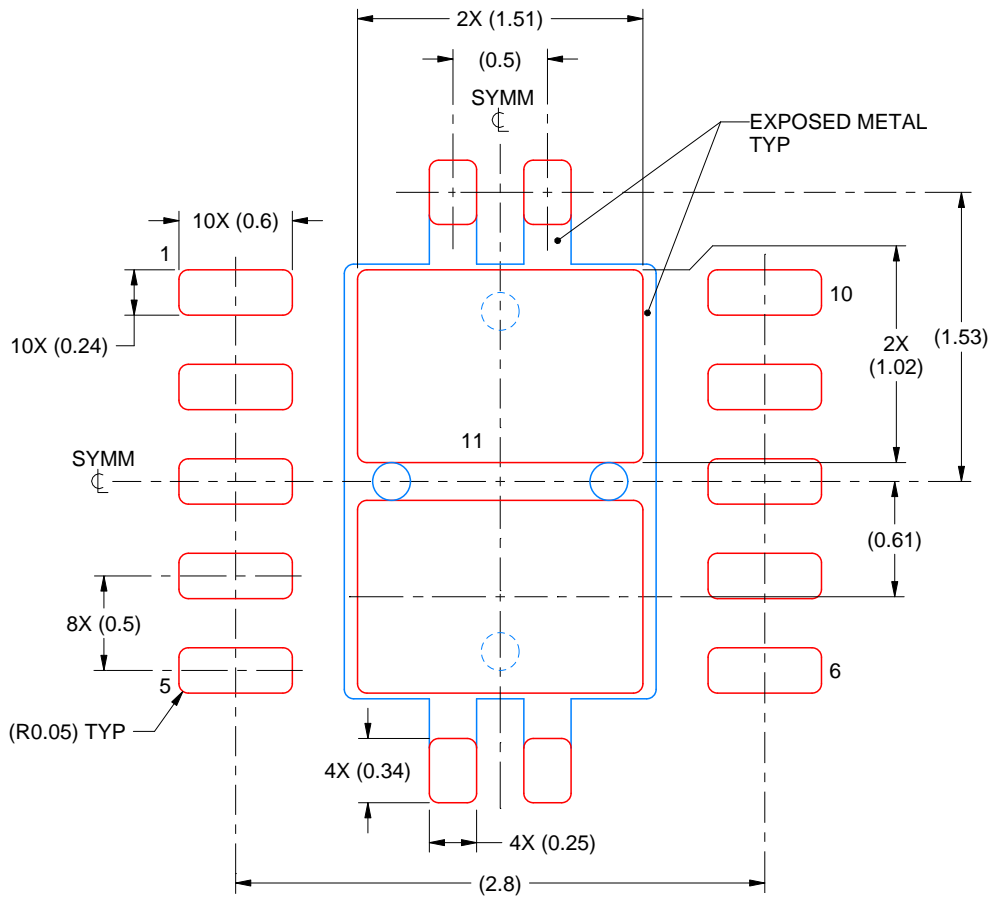
4. This package is designed to be soldered to a thermal pad on the board. For more information, see Texas Instruments literature number SLUA271 ([www.ti.com/lit/sluea271](http://www.ti.com/lit/sluea271)).
5. Vias are optional depending on application, refer to device data sheet. If any vias are implemented, refer to their locations shown on this view. It is recommended that vias under paste be filled, plugged or tented.

# EXAMPLE STENCIL DESIGN

DRC0010V

VSON - 1 mm max height

PLASTIC SMALL OUTLINE - NO LEAD



SOLDER PASTE EXAMPLE  
BASED ON 0.125 mm THICK STENCIL

EXPOSED PAD 11:  
80% PRINTED SOLDER COVERAGE BY AREA  
SCALE:25X

4226575/A 02/2021

NOTES: (continued)

6. Laser cutting apertures with trapezoidal walls and rounded corners may offer better paste release. IPC-7525 may have alternate design recommendations.

## 重要声明和免责声明

TI“按原样”提供技术和可靠性数据（包括数据表）、设计资源（包括参考设计）、应用或其他设计建议、网络工具、安全信息和其他资源，不保证没有瑕疵且不做任何明示或暗示的担保，包括但不限于对适销性、某特定用途方面的适用性或不侵犯任何第三方知识产权的暗示担保。

这些资源可供使用 TI 产品进行设计的熟练开发人员使用。您将自行承担以下全部责任：(1) 针对您的应用选择合适的 TI 产品，(2) 设计、验证并测试您的应用，(3) 确保您的应用满足相应标准以及任何其他功能安全、信息安全、监管或其他要求。

这些资源如有变更，恕不另行通知。TI 授权您仅可将这些资源用于研发本资源所述的 TI 产品的应用。严禁对这些资源进行其他复制或展示。您无权使用任何其他 TI 知识产权或任何第三方知识产权。您应全额赔偿因在这些资源的使用中对 TI 及其代表造成的任何索赔、损害、成本、损失和债务，TI 对此概不负责。

TI 提供的产品受 [TI 的销售条款](#) 或 [ti.com](#) 上其他适用条款/TI 产品随附的其他适用条款的约束。TI 提供这些资源并不会扩展或以其他方式更改 TI 针对 TI 产品发布的适用的担保或担保免责声明。

TI 反对并拒绝您可能提出的任何其他或不同的条款。

邮寄地址：Texas Instruments, Post Office Box 655303, Dallas, Texas 75265

Copyright © 2023，德州仪器 (TI) 公司