

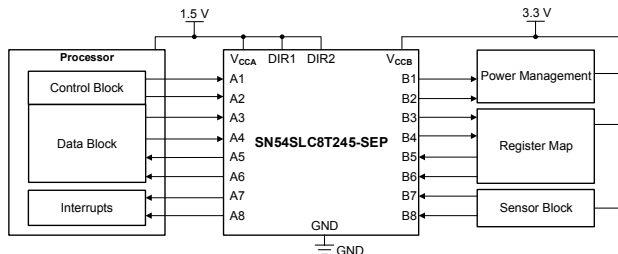
# SN54SLC8T245-SEP 具有可配置电压转换和三态输出的 8 位双电源总线收发器

## 1 特性

- VID V62/22604
- 抗辐射：
  - 单粒子锁定 (SEL) 在 125°C 下的抗扰度可达 43MeV-cm<sup>2</sup>/mg
  - 每个晶圆批次的辐射批次验收测试 (RLAT) 电离辐射总剂量 (TID) 高达 20krad(Si)
- 通过认证且完全可配置的双电源轨设计允许各个端口在 0.65V 至 3.6V 的电源电压范围内运行
- 工作温度范围为 -55°C 至 +125°C
- 多向控制引脚，支持同步升降转换
- 从 1.8V 转换到 3.3V 时，支持高达 380Mbps 的转换速率
- V<sub>CC</sub> 隔离功能可在断电情况下有效隔离两条总线
- 局部断电模式可在断电情况下限制回流电流
- 闩锁性能超过 100mA，符合 JESD 78 II 类规范
- ESD 保护性能超过 JESD 22 规范要求
  - 8000V 人体放电模型
  - 1000V 充电器件模型

## 2 应用

- 支持近地轨道 (LEO) 航天应用
- 太空雷达和通信
- 航天卫星有效载荷



典型应用原理图

## 3 说明

SN54SLC8T245-SEP 器件是一款 8 位同相总线收发器，可解决在最新电压节点 (0.7V、0.8V 和 0.9V) 和业界通用电压节点 (1.8V、2.5V 和 3.3V) 上运行的器件间的电压电平不匹配问题。

器件通过两条独立电源轨 (V<sub>CCA</sub> 和 V<sub>CCB</sub>) 运行，工作电压可低至 0.65V。数据引脚 A1 至 A8 均用于跟踪 V<sub>CCA</sub>，可承受 0.65V 至 3.6V 的电源电压。数据引脚 B1 至 B8 均用于跟踪 V<sub>CCB</sub>，可承受 0.65V 至 3.6V 的电源电压。

SN54SLC8T245-SEP 器件旨在实现数据总线之间的异步通信。根据方向控制输入 (DIR1 和 DIR2) 的逻辑电平，此器件将数据从 A 总线传输至 B 总线，或者将数据从 B 总线传输至 A 总线。输出使能 ( $\overline{OE}$ ) 输入可用于禁用输出，从而有效隔离总线。

SN54SLC8T245-SEP 器件旨在使控制引脚 (DIR 和  $\overline{OE}$ ) 以 V<sub>CCA</sub> 为基准。

该器件专用于使用 I<sub>off</sub> 的局部断电应用。当器件断电时，I<sub>off</sub> 电路将会禁用输出。这会抑制电流反流到器件中，从而防止损坏器件。

V<sub>CC</sub> 隔离功能可确保当任一 V<sub>CC</sub> 输入电源低于 100mV 时，所有电平转换器输出都将禁用并处于高阻抗状态。

为了确保电平转换器 I/O 在上电或断电期间处于高阻抗状态，应将  $\overline{OE}$  通过上拉电阻器连接到 V<sub>CCA</sub>；此电阻器的最小值由驱动器的灌电流能力决定。

### 封装信息

器件型号	封装 <sup>(1)</sup>	封装尺寸 (标称值)
SN54SLC8T245-SEP	PW (TSSOP, 24)	4.40mm × 7.80mm

(1) 如需了解所有可用封装，请参阅数据表末尾的可订购产品附录。



## Table of Contents

<b>1 特性</b> .....	<b>1</b>	<b>8 Detailed Description</b> .....	<b>11</b>
<b>2 应用</b> .....	<b>1</b>	8.1 Overview.....	11
<b>3 说明</b> .....	<b>1</b>	8.2 Functional Block Diagram.....	11
<b>4 Revision History</b> .....	<b>2</b>	8.3 Feature Description.....	12
<b>5 Pin Configuration and Functions</b> .....	<b>3</b>	8.4 Device Functional Modes.....	12
<b>6 Specifications</b> .....	<b>4</b>	<b>9 Application and Implementation</b> .....	<b>13</b>
6.1 Absolute Maximum Ratings.....	4	9.1 Application Information.....	13
6.2 ESD Ratings.....	4	9.2 Typical Application.....	13
6.3 Recommended Operating Conditions.....	5	<b>10 Power Supply Recommendations</b> .....	<b>14</b>
6.4 Thermal Information.....	5	<b>11 Layout</b> .....	<b>15</b>
6.5 Electrical Characteristics.....	6	11.1 Layout Guidelines.....	15
6.6 Switching Characteristics, $V_{CCA} = 0.7\text{ V}$ .....	7	11.2 Layout Example.....	15
6.7 Switching Characteristics, $V_{CCA} = 0.8\text{ V}$ .....	7	<b>12 Device and Documentation Support</b> .....	<b>16</b>
6.8 Switching Characteristics, $V_{CCA} = 0.9\text{ V}$ .....	7	12.1 Documentation Support.....	16
6.9 Switching Characteristics, $V_{CCA} = 1.2\text{ V}$ .....	8	12.2 Receiving Notification of Documentation Updates..	16
6.10 Switching Characteristics, $V_{CCA} = 1.5\text{ V}$ .....	8	12.3 Support Resources.....	16
6.11 Switching Characteristics, $V_{CCA} = 1.8\text{ V}$ .....	8	12.4 Trademarks.....	16
6.12 Switching Characteristics, $V_{CCA} = 2.5\text{ V}$ .....	9	12.5 Electrostatic Discharge Caution.....	16
6.13 Switching Characteristics, $V_{CCA} = 3.3\text{ V}$ .....	9	<b>13 Mechanical, Packaging, and Orderable Information</b> .....	<b>16</b>
6.14 Operating Characteristics.....	9		
<b>7 Parameter Measurement Information</b> .....	<b>10</b>		

## 4 Revision History

注：以前版本的页码可能与当前版本的页码不同

Changes from Revision * (February 2022) to Revision A (September 2022)	Page
• 将数据表的状态从 <i>预告信息</i> 更改为 <i>量产数据</i> .....	1

## 5 Pin Configuration and Functions

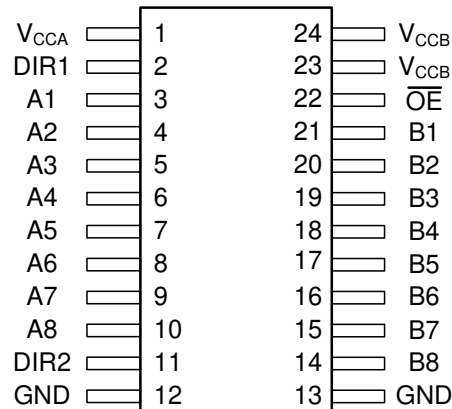


图 5-1. PW Package, 24-Pin TSSOP (Top View)

表 5-1. Pin Functions

PIN		TYPE <sup>(1)</sup>	DESCRIPTION
NAME	NO.		
A1	3	I/O	Input/output A1. Referenced to $V_{CCA}$ .
A2	4	I/O	Input/output A2. Referenced to $V_{CCA}$ .
A3	5	I/O	Input/output A3. Referenced to $V_{CCA}$ .
A4	6	I/O	Input/output A4. Referenced to $V_{CCA}$ .
A5	7	I/O	Input/output A5. Referenced to $V_{CCA}$ .
A6	8	I/O	Input/output A6. Referenced to $V_{CCA}$ .
A7	9	I/O	Input/output A7. Referenced to $V_{CCA}$ .
A8	10	I/O	Input/output A8. Referenced to $V_{CCA}$ .
B1	21	I/O	Input/output B1. Referenced to $V_{CCB}$ .
B2	20	I/O	Input/output B2. Referenced to $V_{CCB}$ .
B3	19	I/O	Input/output B3. Referenced to $V_{CCB}$ .
B4	18	I/O	Input/output B4. Referenced to $V_{CCB}$ .
B5	17	I/O	Input/output B5. Referenced to $V_{CCB}$ .
B6	16	I/O	Input/output B6. Referenced to $V_{CCB}$ .
B7	15	I/O	Input/output B7. Referenced to $V_{CCB}$ .
B8	14	I/O	Input/output B8. Referenced to $V_{CCB}$ .
DIR1	2	I	Direction-control signal 1. Referenced to $V_{CCA}$ .
DIR2	11	I	Direction-control signal 2. Referenced to $V_{CCA}$ . Tie to GND to maintain backward compatibility with SN74AVC8T245 device.
GND	12	—	Ground
	13	—	Ground
OE	22	I	Output Enable. Pull to GND to enable all outputs. Pull to $V_{CCA}$ to place all outputs in high-impedance mode. Referenced to $V_{CCA}$ .
$V_{CCA}$	1	—	A-port supply voltage. $0.65\text{ V} \leq V_{CCA} \leq 3.6\text{ V}$
$V_{CCB}$	23	—	B-port supply voltage. $0.65\text{ V} \leq V_{CCB} \leq 3.6\text{ V}$
	24	—	B-port supply voltage. $0.65\text{ V} \leq V_{CCB} \leq 3.6\text{ V}$

(1) I = input, O = output

## 6 Specifications

### 6.1 Absolute Maximum Ratings

over operating free-air temperature range (unless otherwise noted)<sup>(1)</sup>

		MIN	MAX	UNIT
Supply voltage, $V_{CCA}$		- 0.5	4.2	V
Supply voltage, $V_{CCB}$		- 0.5	4.2	V
Input voltage, $V_I$ <sup>(2)</sup>	I/O ports (A port)	- 0.5	4.2	V
	I/O ports (B port)	- 0.5	4.2	
	Control inputs	- 0.5	4.2	
Voltage applied to any output in the high-impedance or power-off state, $V_O$ <sup>(2)</sup>	A port	- 0.5	4.2	V
	B port	- 0.5	4.2	
Voltage applied to any output in the high or low state, $V_O$ <sup>(2) (3)</sup>	A port	- 0.5	$V_{CCA} + 0.2$	V
	B port	- 0.5	$V_{CCB} + 0.2$	
Input clamp current, $I_{IK}$	$V_I < 0$	- 50		mA
Output clamp current, $I_{OK}$	$V_O < 0$	- 50		mA
Continuous output current, $I_O$		- 50	50	mA
Continuous current through $V_{CCA}$ , $V_{CCB}$ , or GND		- 100	100	mA
Junction Temperature, $T_J$			150	°C
Storage temperature, $T_{stg}$		- 65	150	°C

- (1) Operation outside the *Absolute Maximum Ratings* may cause permanent device damage. *Absolute Maximum Ratings* do not imply functional operation of the device at these or any other conditions beyond those listed under *Recommended Operating Conditions*. If briefly operating outside the *Recommended Operating Conditions* but within the *Absolute Maximum Ratings*, the device may not sustain damage, but it may not be fully functional. Operating the device in this manner may affect device reliability, functionality, performance, and shorten the device lifetime.
- (2) The input voltage and output negative-voltage ratings may be exceeded if the input and output current ratings are observed.
- (3) The output positive-voltage rating may be exceeded up to 4.2 V maximum if the output current rating is observed.

### 6.2 ESD Ratings

		VALUE	UNIT
$V_{(ESD)}$ Electrostatic discharge	Human-body model (HBM), per ANSI/ESDA/JEDEC JS-001 <sup>(1)</sup>	±8000	V
	Charged-device model (CDM), per ANSI/ESDA/JEDEC JS-002 <sup>(2)</sup>	±1000	

- (1) JEDEC document JEP155 states that 500-V HBM allows safe manufacturing with a standard ESD control process.
- (2) JEDEC document JEP157 states that 250-V CDM allows safe manufacturing with a standard ESD control process.

### 6.3 Recommended Operating Conditions

over operating free-air temperature range (unless otherwise noted) <sup>(1)</sup> <sup>(2)</sup> <sup>(3)</sup>

		MIN	MAX	UNIT	
V <sub>CCA</sub>	Supply voltage	0.65	3.6	V	
V <sub>CCB</sub>	Supply voltage	0.65	3.6	V	
V <sub>IH</sub>	High-level input voltage	Data inputs	V <sub>CCI</sub> = 0.65 V - 0.75 V	V <sub>CCI</sub> × 0.70	V
			V <sub>CCI</sub> = 0.76 V - 1 V	V <sub>CCI</sub> × 0.70	
			V <sub>CCI</sub> = 1.1 V - 1.95 V	V <sub>CCI</sub> × 0.65	
			V <sub>CCI</sub> = 2.3 V - 2.7 V	1.6	
			V <sub>CCI</sub> = 3 V - 3.6 V	2	
	Control inputs (DIR, OE) Referenced to V <sub>CCA</sub>		V <sub>CCA</sub> = 0.65 V - 0.75 V	V <sub>CCA</sub> × 0.70	
			V <sub>CCA</sub> = 0.76 V - 1 V	V <sub>CCA</sub> × 0.70	
			V <sub>CCA</sub> = 1.1 V - 1.95 V	V <sub>CCA</sub> × 0.65	
			V <sub>CCA</sub> = 2.3 V - 2.7 V	1.6	
			V <sub>CCA</sub> = 3 V - 3.6 V	2	
V <sub>IL</sub>	Low-level input voltage	Data inputs	V <sub>CCI</sub> = 0.65 V - 0.75 V	V <sub>CCI</sub> × 0.30	V
			V <sub>CCI</sub> = 0.76 V - 1 V	V <sub>CCI</sub> × 0.30	
			V <sub>CCI</sub> = 1.1 V - 1.95 V	V <sub>CCI</sub> × 0.35	
			V <sub>CCI</sub> = 2.3 V - 2.7 V	0.7	
			V <sub>CCI</sub> = 3 V - 3.6 V	0.8	
	Control inputs (DIR, OE) Referenced to V <sub>CCA</sub>		V <sub>CCA</sub> = 0.65 V - 0.75 V	V <sub>CCA</sub> × 0.30	
			V <sub>CCA</sub> = 0.76 V - 1 V	V <sub>CCA</sub> × 0.30	
			V <sub>CCA</sub> = 1.1 V - 1.95 V	V <sub>CCA</sub> × 0.35	
			V <sub>CCA</sub> = 2.3 V - 2.7 V	0.7	
			V <sub>CCA</sub> = 3 V - 3.6 V	0.8	
V <sub>I</sub>	Input voltage <sup>(3)</sup>	0	3.6	V	
V <sub>O</sub>	Output voltage	Active state	0	V <sub>CCO</sub> <sup>(2)</sup>	V
		Tri-state	0	3.6	
Δt/Δv	Input transition rise or fall rate		10	ns/V	
T <sub>A</sub>	Operating free-air temperature	-55	125	°C	

(1) V<sub>CCI</sub> is the V<sub>CC</sub> associated with the input port.

(2) V<sub>CCO</sub> is the V<sub>CC</sub> associated with the output port.

(3) All unused data inputs of the device must be held at V<sub>CCI</sub> or GND to ensure proper device operation. See the [Implications of Slow or Floating CMOS Inputs](#) application report.

### 6.4 Thermal Information

THERMAL METRIC		SN54SLC8T245-SEP	UNIT
		PW (TSSOP)	
		24 PINS	
R <sub>θJA</sub>	Junction-to-ambient thermal resistance	102.9	°C/W
R <sub>θJC(top)</sub>	Junction-to-case (top) thermal resistance	45.9	°C/W
R <sub>θJB</sub>	Junction-to-board thermal resistance	58.2	°C/W
ψ <sub>JT</sub>	Junction-to-top characterization parameter	6.9	°C/W
ψ <sub>JB</sub>	Junction-to-board characterization parameter	57.8	°C/W
R <sub>θJC(bot)</sub>	Junction-to-case (bottom) thermal resistance	N/A	°C/W

## 6.5 Electrical Characteristics

Over recommended operating free-air temperature range (unless otherwise noted)<sup>(1)</sup>

PARAMETER	TEST CONDITIONS	V <sub>CCA</sub>	V <sub>CCB</sub>	MIN	TYP <sup>(2)</sup>	MAX	UNIT
V <sub>OH</sub>	High-level output voltage V <sub>I</sub> = V <sub>IH</sub>	I <sub>OH</sub> = -100 μA	0.7 V - 3.6 V	0.7 V - 3.6 V	V <sub>CCO</sub> - 0.1		V
		I <sub>OH</sub> = -50 μA	0.65 V	0.65 V	0.55		
		I <sub>OH</sub> = -200 μA	0.76 V	0.76 V	0.58		
		I <sub>OH</sub> = -500 μA	0.85 V	0.85 V	0.65		
		I <sub>OH</sub> = -3 mA	1.1 V	1.1 V	0.85		
		I <sub>OH</sub> = -6 mA	1.4 V	1.4 V	1.05		
		I <sub>OH</sub> = -8 mA	1.65 V	1.65 V	1.2		
		I <sub>OH</sub> = -9 mA	2.3 V	2.3 V	1.75		
		I <sub>OH</sub> = -12 mA	3 V	3 V	2.3		
V <sub>OL</sub>	Low-level output voltage V <sub>I</sub> = V <sub>IL</sub>	I <sub>OL</sub> = 100 μA	0.7 V - 3.6 V	0.7 V - 3.6 V	0.1		V
		I <sub>OL</sub> = 50 μA	0.65 V	0.65 V	0.1		
		I <sub>OL</sub> = 200 μA	0.76 V	0.76 V	0.18		
		I <sub>OL</sub> = 500 μA	0.85 V	0.85 V	0.2		
		I <sub>OL</sub> = 3 mA	1.1 V	1.1 V	0.25		
		I <sub>OL</sub> = 6 mA	1.4 V	1.4 V	0.35		
		I <sub>OL</sub> = 8 mA	1.65 V	1.65 V	0.45		
		I <sub>OL</sub> = 9 mA	2.3 V	2.3 V	0.55		
		I <sub>OL</sub> = 12 mA	3 V	3 V	0.7		
I <sub>I</sub>	Input leakage current Control Inputs (DIR, $\overline{OE}$ ): V <sub>I</sub> = V <sub>CCA</sub> or GND	0.65 V - 3.6 V	0.65 V - 3.6 V	-1		1	μA
I <sub>off</sub>	Partial power down current A Port: V <sub>I</sub> or V <sub>O</sub> = 0 V - 3.6 V B Port: V <sub>I</sub> or V <sub>O</sub> = 0 V - 3.6 V	0 V	0 V - 3.6 V	-35		55	μA
		0 V - 3.6 V	0 V	-35		55	
I <sub>OZ</sub>	High-impedance state output current A Port: V <sub>O</sub> = V <sub>CCO</sub> or GND, V <sub>I</sub> = V <sub>CCI</sub> or GND, $\overline{OE}$ = V <sub>IH</sub> B Port: V <sub>O</sub> = V <sub>CCO</sub> or GND, V <sub>I</sub> = V <sub>CCI</sub> or GND, $\overline{OE}$ = V <sub>IH</sub>	3.6 V	3.6 V	-8		8	μA
		3.6 V	3.6 V	-8		8	
I <sub>CCA</sub>	V <sub>CCA</sub> supply current V <sub>I</sub> = V <sub>CCI</sub> or GND, I <sub>O</sub> = 0 mA	0.65 V - 3.6 V	0.65 V - 3.6 V			40	μA
		0 V	3.6 V	-12			
		3.6 V	0 V			35	
I <sub>CCB</sub>	V <sub>CCB</sub> supply current V <sub>I</sub> = V <sub>CCI</sub> or GND, I <sub>O</sub> = 0 mA	0.65 V - 3.6 V	0.65 V - 3.6 V			38	μA
		0 V	3.6 V			35	
		3.6 V	0 V	-12			
I <sub>CCA</sub> + I <sub>CCB</sub>	Combined supply current V <sub>I</sub> = V <sub>CCI</sub> or GND, I <sub>O</sub> = 0 mA	0.65 V - 3.6 V	0.65 V - 3.6 V			70	μA
C <sub>I</sub>	Input capacitance Control Inputs (DIR, $\overline{OE}$ ): V <sub>I</sub> = 3.3 V or GND	3.3 V	3.3 V		4.5		pF
C <sub>IO</sub>	Data I/O capacitance Ports A and B: $\overline{OE}$ = V <sub>CCA</sub> , V <sub>O</sub> = 1.65 V DC + 1 MHz -16 dBm sine wave	3.3 V	3.3 V		5.7		pF

(1) V<sub>CCO</sub> is the V<sub>CC</sub> associated with the output port.

(2) All typical values are for T<sub>A</sub> = 25°C

## 6.6 Switching Characteristics, $V_{CCA} = 0.7\text{ V}$

See [图 7-1](#) and [图 7-2](#) for test circuit and loading conditions. See [图 7-3](#) and [图 7-4](#) for measurement waveforms.

PARAMETER	TEST CONDITIONS	B-PORT SUPPLY VOLTAGE ( $V_{CCB}$ )									UNIT
		0.7 V ± 0.05 V	0.8 V ± 0.04 V	0.9 V ± 0.045 V	1.2 V ± 0.1 V	1.5 V ± 0.1 V	1.8 V ± 0.15 V	2.5 V ± 0.2 V	3.3 V ± 0.3 V		
		TYP	TYP	TYP	TYP	TYP	TYP	TYP	TYP		
$t_{pd}$	Propagation delay	From input A to output B	68	47	34	23	21	21	23	27	ns
		From input B to output A	67	55	46	32	28	26	25	25	
$t_{dis}$	Disable time	From input $\overline{OE}$ to output A	100	100	100	100	100	100	100	100	ns
		From input $\overline{OE}$ to output B	111	86	73	38	34	34	33	36	
$t_{en}$	Enable time	From input $\overline{OE}$ to output A	105	105	105	105	105	105	105	105	ns
		From input $\overline{OE}$ to output B	127	78	56	39	36	36	39	47	

## 6.7 Switching Characteristics, $V_{CCA} = 0.8\text{ V}$

See [图 7-1](#) and [图 7-2](#) for test circuit and loading conditions. See [图 7-3](#) and [图 7-4](#) for measurement waveforms.

PARAMETER	TEST CONDITIONS	B-PORT SUPPLY VOLTAGE ( $V_{CCB}$ )									UNIT
		0.7 V ± 0.05 V	0.8 V ± 0.04 V	0.9 V ± 0.045 V	1.2 V ± 0.1 V	1.5 V ± 0.1 V	1.8 V ± 0.15 V	2.5 V ± 0.2 V	3.3 V ± 0.3 V		
		TYP	TYP	TYP	TYP	TYP	TYP	TYP	TYP		
$t_{pd}$	Propagation delay	From input A to output B	55	38	26	16	14	13	13	14	ns
		From input B to output A	47	38	32	21	17	15	14	14	
$t_{dis}$	Disable time	From input $\overline{OE}$ to output A	71	71	71	71	71	71	71	71	ns
		From input $\overline{OE}$ to output B	105	79	66	32	28	27	25	26	
$t_{en}$	Enable time	From input $\overline{OE}$ to output A	64	64	64	64	64	64	64	64	ns
		From input $\overline{OE}$ to output B	118	69	47	30	27	26	26	28	

## 6.8 Switching Characteristics, $V_{CCA} = 0.9\text{ V}$

See [图 7-1](#) and [图 7-2](#) for test circuit and loading conditions. See [图 7-3](#) and [图 7-4](#) for measurement waveforms.

PARAMETER	TEST CONDITIONS	B-PORT SUPPLY VOLTAGE ( $V_{CCB}$ )									UNIT
		0.7 V ± 0.05 V	0.8 V ± 0.04 V	0.9 V ± 0.045 V	1.2 V ± 0.1 V	1.5 V ± 0.1 V	1.8 V ± 0.15 V	2.5 V ± 0.2 V	3.3 V ± 0.3 V		
		TYP	TYP	TYP	TYP	TYP	TYP	TYP	TYP		
$t_{pd}$	Propagation delay	From input A to output B	45	31	21	13	10	9	9	9	ns
		From input B to output A	35	27	23	15	11	10	9	8	
$t_{dis}$	Disable time	From input $\overline{OE}$ to output A	55	55	55	55	55	55	55	55	ns
		From input $\overline{OE}$ to output B	99	74	61	26	23	22	20	20	
$t_{en}$	Enable time	From input $\overline{OE}$ to output A	41	41	41	41	41	41	41	41	ns
		From input $\overline{OE}$ to output B	108	63	41	24	20	19	18	19	

## 6.9 Switching Characteristics, $V_{CCA} = 1.2\text{ V}$

See [图 7-1](#) and [图 7-2](#) for test circuit and loading conditions. See [图 7-3](#) and [图 7-4](#) for measurement waveforms.

PARAMETER	TEST CONDITIONS	B-PORT SUPPLY VOLTAGE ( $V_{CCB}$ )									UNIT
		$0.7\text{ V} \pm 0.05\text{ V}$	$0.8\text{ V} \pm 0.04\text{ V}$	$0.9\text{ V} \pm 0.045\text{ V}$	$1.2\text{ V} \pm 0.1\text{ V}$	$1.5\text{ V} \pm 0.1\text{ V}$	$1.8\text{ V} \pm 0.15\text{ V}$	$2.5\text{ V} \pm 0.2\text{ V}$	$3.3\text{ V} \pm 0.3\text{ V}$		
		TYP	TYP	TYP	TYP	TYP	TYP	TYP	TYP		
$t_{pd}$	Propagation delay	From input A to output B	33	21	14	8	6	5	5	5	ns
		From input B to output A	24	16	13	8	6	5	4	4	
$t_{dis}$	Disable time	From input $\overline{OE}$ to output A	19	19	19	19	19	19	19	19	ns
		From input $\overline{OE}$ to output B	92	66	53	20	17	16	14	14	
$t_{en}$	Enable time	From input $\overline{OE}$ to output A	19	19	19	19	19	19	19	19	ns
		From input $\overline{OE}$ to output B	96	53	33	17	12	11	10	10	

## 6.10 Switching Characteristics, $V_{CCA} = 1.5\text{ V}$

See [图 7-1](#) and [图 7-2](#) for test circuit and loading conditions. See [图 7-3](#) and [图 7-4](#) for measurement waveforms.

PARAMETER	TEST CONDITIONS	B-PORT SUPPLY VOLTAGE ( $V_{CCB}$ )									UNIT
		$0.7\text{ V} \pm 0.05\text{ V}$	$0.8\text{ V} \pm 0.04\text{ V}$	$0.9\text{ V} \pm 0.045\text{ V}$	$1.2\text{ V} \pm 0.1\text{ V}$	$1.5\text{ V} \pm 0.1\text{ V}$	$1.8\text{ V} \pm 0.15\text{ V}$	$2.5\text{ V} \pm 0.2\text{ V}$	$3.3\text{ V} \pm 0.3\text{ V}$		
		TYP	TYP	TYP	TYP	TYP	TYP	TYP	TYP		
$t_{pd}$	Propagation delay	From input A to output B	29	17	11	6	5	4	4	3	ns
		From input B to output A	23	14	10	6	5	4	3	3	
$t_{dis}$	Disable time	From input $\overline{OE}$ to output A	15	15	15	15	15	15	15	15	ns
		From input $\overline{OE}$ to output B	89	64	50	18	15	15	12	13	
$t_{en}$	Enable time	From input $\overline{OE}$ to output A	12	12	12	12	12	12	12	12	ns
		From input $\overline{OE}$ to output B	92	49	29	14	10	8	7	7	

## 6.11 Switching Characteristics, $V_{CCA} = 1.8\text{ V}$

See [图 7-1](#) and [图 7-2](#) for test circuit and loading conditions. See [图 7-3](#) and [图 7-4](#) for measurement waveforms.

PARAMETER	TEST CONDITIONS	B-PORT SUPPLY VOLTAGE ( $V_{CCB}$ )									UNIT
		$0.7\text{ V} \pm 0.05\text{ V}$	$0.8\text{ V} \pm 0.04\text{ V}$	$0.9\text{ V} \pm 0.045\text{ V}$	$1.2\text{ V} \pm 0.1\text{ V}$	$1.5\text{ V} \pm 0.1\text{ V}$	$1.8\text{ V} \pm 0.15\text{ V}$	$2.5\text{ V} \pm 0.2\text{ V}$	$3.3\text{ V} \pm 0.3\text{ V}$		
		TYP	TYP	TYP	TYP	TYP	TYP	TYP	TYP		
$t_{pd}$	Propagation delay	From input A to output B	28	15	9	5	4	4	3	3	ns
		From input B to output A	23	13	9	5	4	4	3	2	
$t_{dis}$	Disable time	From input $\overline{OE}$ to output A	14	14	14	14	14	14	14	14	ns
		From input $\overline{OE}$ to output B	89	63	49	17	15	14	12	12	
$t_{en}$	Enable time	From input $\overline{OE}$ to output A	9	9	9	9	9	9	9	9	ns
		From input $\overline{OE}$ to output B	91	47	28	13	9	7	6	6	

## 6.12 Switching Characteristics, $V_{CCA} = 2.5\text{ V}$

See [图 7-1](#) and [图 7-2](#) for test circuit and loading conditions. See [图 7-3](#) and [图 7-4](#) for measurement waveforms.

PARAMETER	TEST CONDITIONS	B-PORT SUPPLY VOLTAGE ( $V_{CCB}$ )									UNIT
		0.7 V ± 0.05 V	0.8 V ± 0.04 V	0.9 V ± 0.045 V	1.2 V ± 0.1 V	1.5 V ± 0.1 V	1.8 V ± 0.15 V	2.5 V ± 0.2 V	3.3 V ± 0.3 V		
		TYP	TYP	TYP	TYP	TYP	TYP	TYP	TYP		
$t_{pd}$	Propagation delay	From input A to output B	27	14	8	4	3	3	2	2	ns
		From input B to output A	26	13	8	5	4	3	2	2	
$t_{dis}$	Disable time	From input $\overline{OE}$ to output A	11	11	11	11	11	11	11	11	ns
		From input $\overline{OE}$ to output B	88	62	48	16	13	13	11	11	
$t_{en}$	Enable time	From input $\overline{OE}$ to output A	6	6	6	6	6	6	6	6	ns
		From input $\overline{OE}$ to output B	89	46	26	12	8	7	5	5	

## 6.13 Switching Characteristics, $V_{CCA} = 3.3\text{ V}$

See [图 7-1](#) and [图 7-2](#) for test circuit and loading conditions. See [图 7-3](#) and [图 7-4](#) for measurement waveforms.

PARAMETER	TEST CONDITIONS	B-PORT SUPPLY VOLTAGE ( $V_{CCB}$ )									UNIT
		0.7 V ± 0.05 V	0.8 V ± 0.04 V	0.9 V ± 0.045 V	1.2 V ± 0.1 V	1.5 V ± 0.1 V	1.8 V ± 0.15 V	2.5 V ± 0.2 V	3.3 V ± 0.3 V		
		TYP	TYP	TYP	TYP	TYP	TYP	TYP	TYP		
$t_{pd}$	Propagation delay	From input A to output B	27	13	8	4	3	2	2	2	ns
		From input B to output A	31	14	9	5	3	3	2	2	
$t_{dis}$	Disable time	From input $\overline{OE}$ to output A	11	11	11	11	11	11	11	11	ns
		From input $\overline{OE}$ to output B	87	61	48	16	13	12	11	11	
$t_{en}$	Enable time	From input $\overline{OE}$ to output A	5	5	5	5	5	5	5	5	ns
		From input $\overline{OE}$ to output B	89	45	26	11	8	6	5	4	

## 6.14 Operating Characteristics

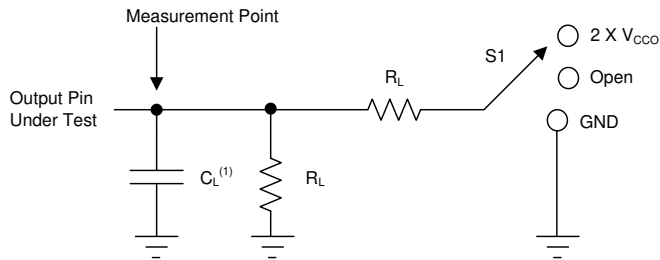
$T_A = 25^\circ\text{C}$ ,  $C_L = 0$ ,  $R_L = \text{Open}$ ,  $f = 1\text{ MHz}$ ,  $t_r = t_f = 1\text{ ns}$

PARAMETER	TEST CONDITIONS	SUPPLY VOLTAGE ( $V_{CCA} = V_{CCB}$ )									UNIT
		0.7 V	0.8 V	0.9 V	1.2 V	1.5 V	1.8 V	2.5 V	3.3 V		
		TYP	TYP	TYP	TYP	TYP	TYP	TYP	TYP		
$C_{pdA}$	$V_{CCA}$ Power dissipation capacitance per transceiver										
	A to B: Ouputs Enabled	1.2	1.8	1.8	1.7	1.7	1.7	2	2.5	pF	
	A to B: Ouputs Disabled	1.1	1.8	1.8	1.7	1.7	1.7	2	2.1	pF	
	B to A: Ouputs Enabled	9.3	11.8	11.8	12	12.2	13	16.4	18.1	pF	
$C_{pdB}$	$V_{CCB}$ Power dissipation capacitance per transceiver										
	A to B: Ouputs Enabled	9.3	11.7	11.8	11.9	12.2	12.9	16.3	18	pF	
	A to B: Ouputs Disabled	2.6	11.7	11.8	11.9	12.2	12.9	16.3	3.9	pF	
	B to A: Ouputs Enabled	1.2	1.8	1.8	1.7	1.7	1.7	2	2.5	pF	
	B to A: Ouputs Disabled	1.1	1.8	1.8	1.7	1.7	1.7	2	2.1	pF	

## 7 Parameter Measurement Information

Unless otherwise noted, all input pulses are supplied by generators having the following characteristics:

- $f = 1 \text{ MHz}$
- $Z_0 = 50 \ \Omega$
- $dv / dt \leq 1 \text{ ns/V}$



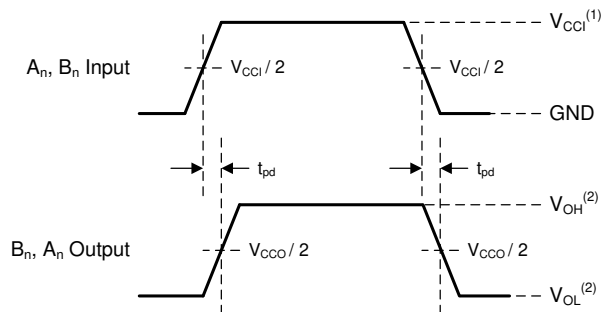
A.  $C_L$  includes probe and jig capacitance.

图 7-1. Load Circuit

Parameter	$V_{CCO}$	$R_L$	$C_L$	S1	$V_{TP}$
$t_{pd}$	1.1 V - 3.6 V	2 k $\Omega$	15 pF	Open	N/A
	0.65 V - 0.95 V	20 k $\Omega$	15 pF	Open	N/A
$t_{en}^{(1)}, t_{dis}^{(1)}$	3 V - 3.6 V	2 k $\Omega$	15 pF	2 X $V_{CCO}$	0.3 V
	1.65 V - 2.7 V	2 k $\Omega$	15 pF	2 X $V_{CCO}$	0.15 V
	1.1 V - 1.6 V	2 k $\Omega$	15 pF	2 X $V_{CCO}$	0.1 V
	0.65 V - 0.95 V	20 k $\Omega$	15 pF	2 X $V_{CCO}$	0.1 V
$t_{en}^{(2)}, t_{dis}^{(2)}$	3 V - 3.6 V	2 k $\Omega$	15 pF	GND	0.3 V
	1.65 V - 2.7 V	2 k $\Omega$	15 pF	GND	0.15 V
	1.1 V - 1.6 V	2 k $\Omega$	15 pF	GND	0.1 V
	0.65 V - 0.95 V	20 k $\Omega$	15 pF	GND	0.1 V

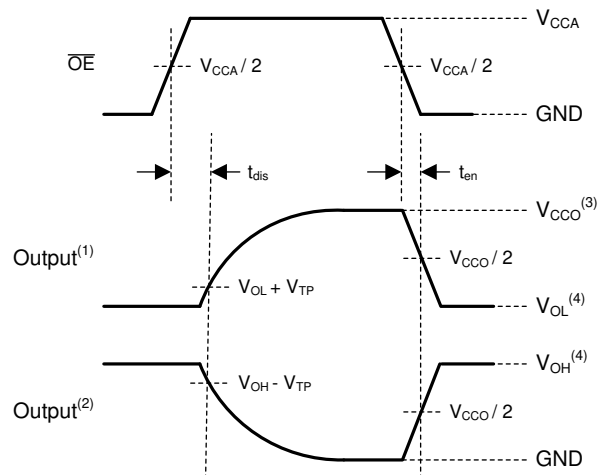
- A. Output waveform on the conditions that input is driven to a valid Logic Low.
- B. Output waveform on the condition that input is driven to a valid Logic High.

图 7-2. Load Circuit Conditions



- A.  $V_{CCI}$  is the supply pin associated with the input port.
- B.  $V_{OH}$  and  $V_{OL}$  are typical output voltage levels with specified  $R_L$ ,  $C_L$ , and  $S_1$ .

图 7-3. Propagation Delay



- A. Output waveform on the condition that input is driven to a valid Logic Low.
- B. Output waveform on the condition that input is driven to a valid Logic High.
- C.  $V_{CCO}$  is the supply pin associated with the output port.
- D.  $V_{OH}$  and  $V_{OL}$  are typical output voltage levels with specified  $R_L$ ,  $C_L$ , and  $S_1$ .

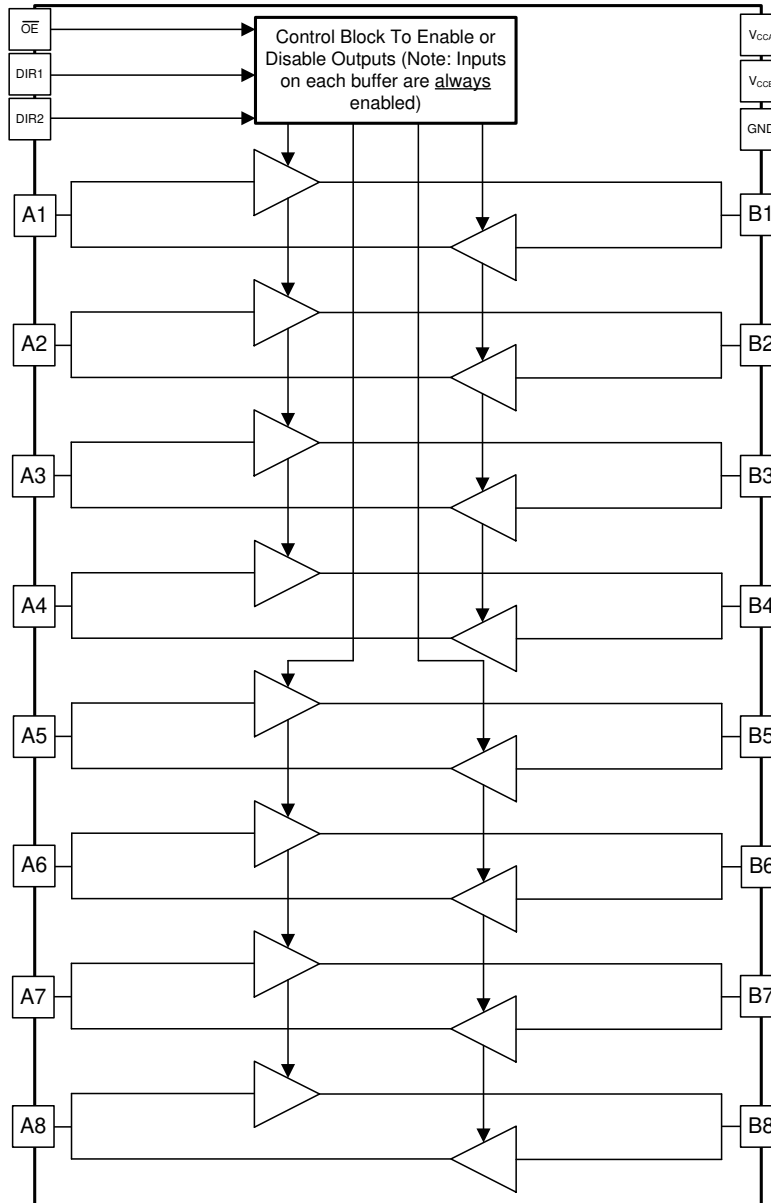
图 7-4. Enable Time And Disable Time

## 8 Detailed Description

### 8.1 Overview

The SN54SLC8T245-SEP device is an 8-bit, dual-supply non-inverting transceiver with bidirectional voltage level translation. The I/O pins labeled with A and the control pins (DIR1, DIR2, and  $\overline{OE}$ ) are supported by  $V_{CCA}$ , and the I/O pins labeled with B are supported by  $V_{CCB}$ . The A port and the B port are able to accept I/O voltages ranging from 0.65 V to 3.6 V.

### 8.2 Functional Block Diagram



## 8.3 Feature Description

### 8.3.1 Up-Translation and Down-Translation From 0.65 V to 3.6 V

Both supply pins are configured from 0.65 V to 3.6 V, which makes the device suitable for translating between any of the low voltage nodes (0.7 V, 0.8 V, 0.9 V, 1.2 V, 1.8 V, 2.5 V, and 3.3 V).

### 8.3.2 Multiple Direction Control Pins

Two control pins are used to configure the 8 data I/Os. I/O channels 1 through 4 are grouped together and I/O channels 5 through 8 are banked together. The benefit of this is to permit simultaneous up-translation and down-translation within one device. This eliminates the need for multiple devices, where each device can only provide up-translation or down-translation sequentially. Simultaneous up and down translation is supported when both  $V_{CCA}$  and  $V_{CCB}$  are at least 1.40 V.

### 8.3.3 $I_{off}$ Supports Partial-Power-Down Mode Operation

This feature is to limit the leakage current of an I/O pin being driven to a voltage as large as 3.6 V while having its corresponding power supply rail powered down. This is represented by the  $I_{off}$  parameter in the [Electrical Characteristics](#) table.

## 8.4 Device Functional Modes

All control inputs are referenced to  $V_{CCA}$  and must be driven to a valid Logic High or Logic Low (that is, not floating) to assure proper device operation and to prevent excessive power consumption. 表 8-1 summarizes the possible modes of device operation based on the configuration of the control inputs.

表 8-1. Function Table

CONTROL INPUTS <sup>(1)</sup>			SIGNAL DIRECTION	
OE	DIR1	DIR2	Bits 1:4	Bits 5:8
H	X	X	Disabled (Hi-Z)	
L	L	L	B to A	
L	L	H	B to A	A to B
L	H	L	A to B	
L	H	H	A to B	B to A

(1) Input circuits of the data I/Os are always active and must be driven to a valid logic level.

## 9 Application and Implementation

### 备注

Information in the following applications sections is not part of the TI component specification, and TI does not warrant its accuracy or completeness. TI's customers are responsible for determining suitability of components for their purposes, as well as validating and testing their design implementation to confirm system functionality.

### 9.1 Application Information

The SN54SLC8T245-SEP device can be used in level-translation applications for interfacing devices or systems operating at different voltage nodes. 图 9-1 depicts an application in which the SN54SLC8T245-SEP device is up-translating a 0.7 V input to a 3.3 V output to interface between a system controller and a peripheral device.

### 9.2 Typical Application

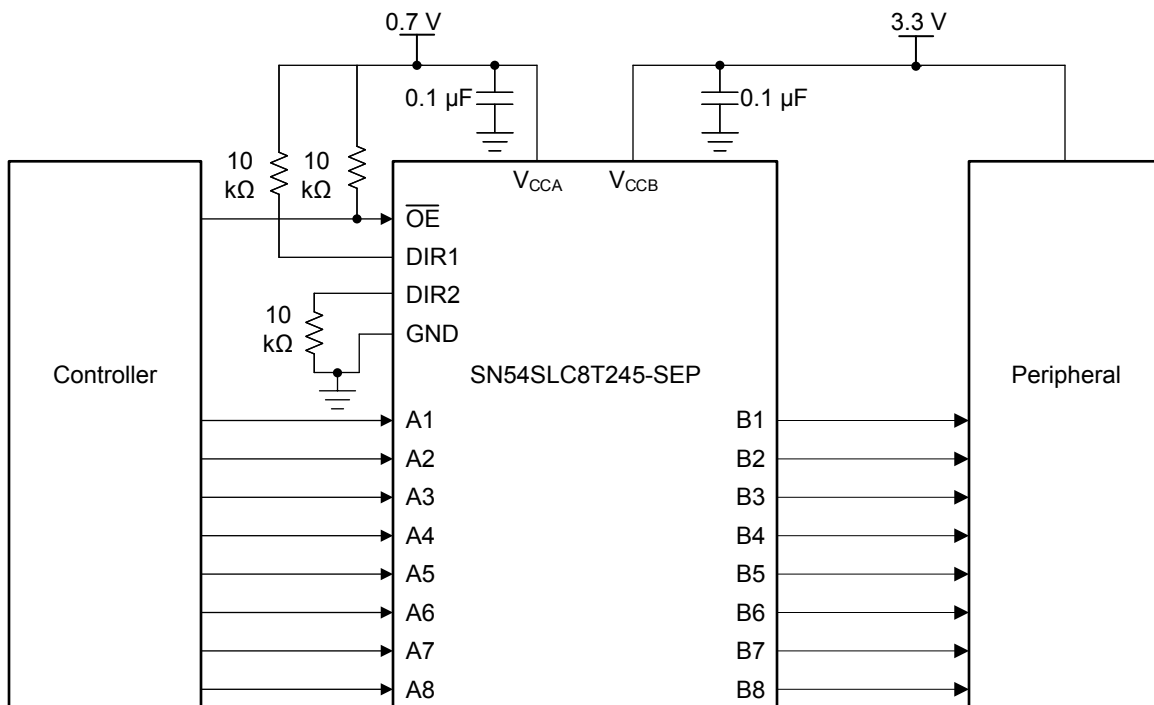


图 9-1. Typical Application Schematic

### 9.2.1 Design Requirements

For this design example, use the parameters listed in [表 9-1](#).

**表 9-1. Design Parameters**

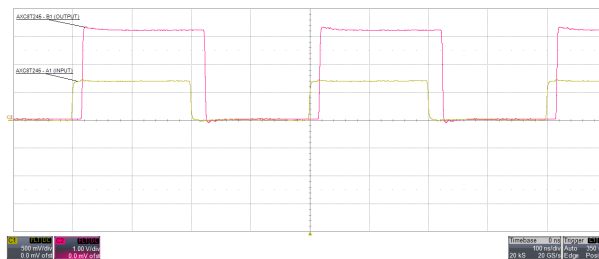
DESIGN PARAMETERS	EXAMPLE VALUE
Input voltage range	0.65 V to 3.6 V
Output voltage range	0.65 V to 3.6 V

### 9.2.2 Detailed Design Procedure

To begin the design process, determine the following:

- Input voltage range
  - Use the supply voltage of the device that is driving the SN54SLC8T245-SEP device to determine the input voltage range. For a valid logic high, the value must exceed the  $V_{IH}$  of the input port. For a valid logic low, the value must be less than the  $V_{IL}$  of the input port.
- Output voltage range
  - Use the supply voltage of the device that the SN54SLC8T245-SEP device is driving to determine the output voltage range.

### 9.2.3 Application Curve



**图 9-2. Translation Up (0.7 V to 3.3 V) at 2.5 MHz**

## 10 Power Supply Recommendations

Always apply a ground reference to the GND pins first. There are no additional requirements for power supply sequencing.

This device was designed with various power supply sequencing methods in mind to help prevent unintended triggering of downstream devices. For more information regarding the power up glitch performance of level translators, see the [Power Sequencing for AXC Family of Devices](#) application report.

## 11 Layout

### 11.1 Layout Guidelines

To assure reliability of the device, follow common printed-circuit board layout guidelines:

- Use bypass capacitors on power supplies.
- Use short trace lengths to avoid excessive loading.
- Place pads on the signal paths for loading capacitors or pullup resistors to help adjust rise and fall times of signals depending on the system requirements.

### 11.2 Layout Example

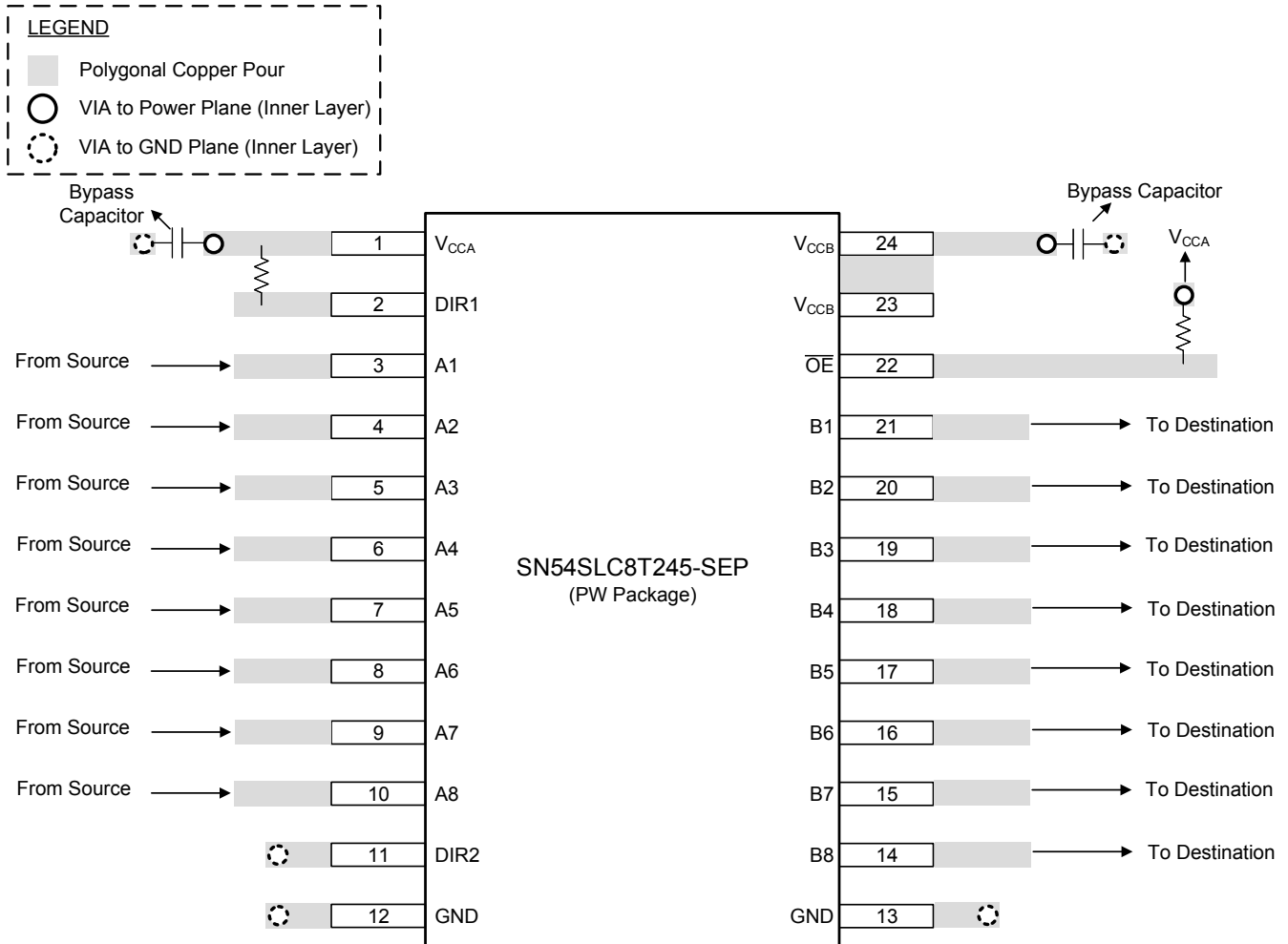


图 11-1. SN54SLC8T245-SEP Device Layout Example

## 12 Device and Documentation Support

### 12.1 Documentation Support

#### 12.1.1 Related Documentation

For related documentation, see the following:

- Texas Instruments, [Implications of Slow or Floating CMOS Inputs application report](#)

### 12.2 Receiving Notification of Documentation Updates

To receive notification of documentation updates, navigate to the device product folder on [ti.com](#). Click on *Subscribe to updates* to register and receive a weekly digest of any product information that has changed. For change details, review the revision history included in any revised document.

### 12.3 Support Resources

TI E2E™ [support forums](#) are an engineer's go-to source for fast, verified answers and design help — straight from the experts. Search existing answers or ask your own question to get the quick design help you need.

Linked content is provided "AS IS" by the respective contributors. They do not constitute TI specifications and do not necessarily reflect TI's views; see TI's [Terms of Use](#).

### 12.4 Trademarks

TI E2E™ is a trademark of Texas Instruments.

所有商标均为其各自所有者的财产。

### 12.5 Electrostatic Discharge Caution



This integrated circuit can be damaged by ESD. Texas Instruments recommends that all integrated circuits be handled with appropriate precautions. Failure to observe proper handling and installation procedures can cause damage.

ESD damage can range from subtle performance degradation to complete device failure. Precision integrated circuits may be more susceptible to damage because very small parametric changes could cause the device not to meet its published specifications.

## 13 Mechanical, Packaging, and Orderable Information

The following pages include mechanical, packaging, and orderable information. This information is the most current data available for the designated devices. This data is subject to change without notice and revision of this document. For browser-based versions of this data sheet, refer to the left-hand navigation.

**PACKAGING INFORMATION**

Orderable Device	Status (1)	Package Type	Package Drawing	Pins	Package Qty	Eco Plan (2)	Lead finish/ Ball material (6)	MSL Peak Temp (3)	Op Temp (°C)	Device Marking (4/5)	Samples
SN54SLC8T245PWTSEP	ACTIVE	TSSOP	PW	24	250	RoHS & Green	NIPDAU	Level-1-260C-UNLIM	-55 to 125	SLC8T245E	<a href="#">Samples</a>
V62/22604-01XE	ACTIVE	TSSOP	PW	24	250	RoHS & Green	NIPDAU	Level-1-260C-UNLIM		SLC8T245E	<a href="#">Samples</a>

(1) The marketing status values are defined as follows:

**ACTIVE:** Product device recommended for new designs.

**LIFEBUY:** TI has announced that the device will be discontinued, and a lifetime-buy period is in effect.

**NRND:** Not recommended for new designs. Device is in production to support existing customers, but TI does not recommend using this part in a new design.

**PREVIEW:** Device has been announced but is not in production. Samples may or may not be available.

**OBSELETE:** TI has discontinued the production of the device.

(2) **RoHS:** TI defines "RoHS" to mean semiconductor products that are compliant with the current EU RoHS requirements for all 10 RoHS substances, including the requirement that RoHS substance do not exceed 0.1% by weight in homogeneous materials. Where designed to be soldered at high temperatures, "RoHS" products are suitable for use in specified lead-free processes. TI may reference these types of products as "Pb-Free".

**RoHS Exempt:** TI defines "RoHS Exempt" to mean products that contain lead but are compliant with EU RoHS pursuant to a specific EU RoHS exemption.

**Green:** TI defines "Green" to mean the content of Chlorine (Cl) and Bromine (Br) based flame retardants meet JS709B low halogen requirements of <=1000ppm threshold. Antimony trioxide based flame retardants must also meet the <=1000ppm threshold requirement.

(3) MSL, Peak Temp. - The Moisture Sensitivity Level rating according to the JEDEC industry standard classifications, and peak solder temperature.

(4) There may be additional marking, which relates to the logo, the lot trace code information, or the environmental category on the device.

(5) Multiple Device Markings will be inside parentheses. Only one Device Marking contained in parentheses and separated by a "~" will appear on a device. If a line is indented then it is a continuation of the previous line and the two combined represent the entire Device Marking for that device.

(6) Lead finish/Ball material - Orderable Devices may have multiple material finish options. Finish options are separated by a vertical ruled line. Lead finish/Ball material values may wrap to two lines if the finish value exceeds the maximum column width.

**Important Information and Disclaimer:**The information provided on this page represents TI's knowledge and belief as of the date that it is provided. TI bases its knowledge and belief on information provided by third parties, and makes no representation or warranty as to the accuracy of such information. Efforts are underway to better integrate information from third parties. TI has taken and continues to take reasonable steps to provide representative and accurate information but may not have conducted destructive testing or chemical analysis on incoming materials and chemicals. TI and TI suppliers consider certain information to be proprietary, and thus CAS numbers and other limited information may not be available for release.

In no event shall TI's liability arising out of such information exceed the total purchase price of the TI part(s) at issue in this document sold by TI to Customer on an annual basis.



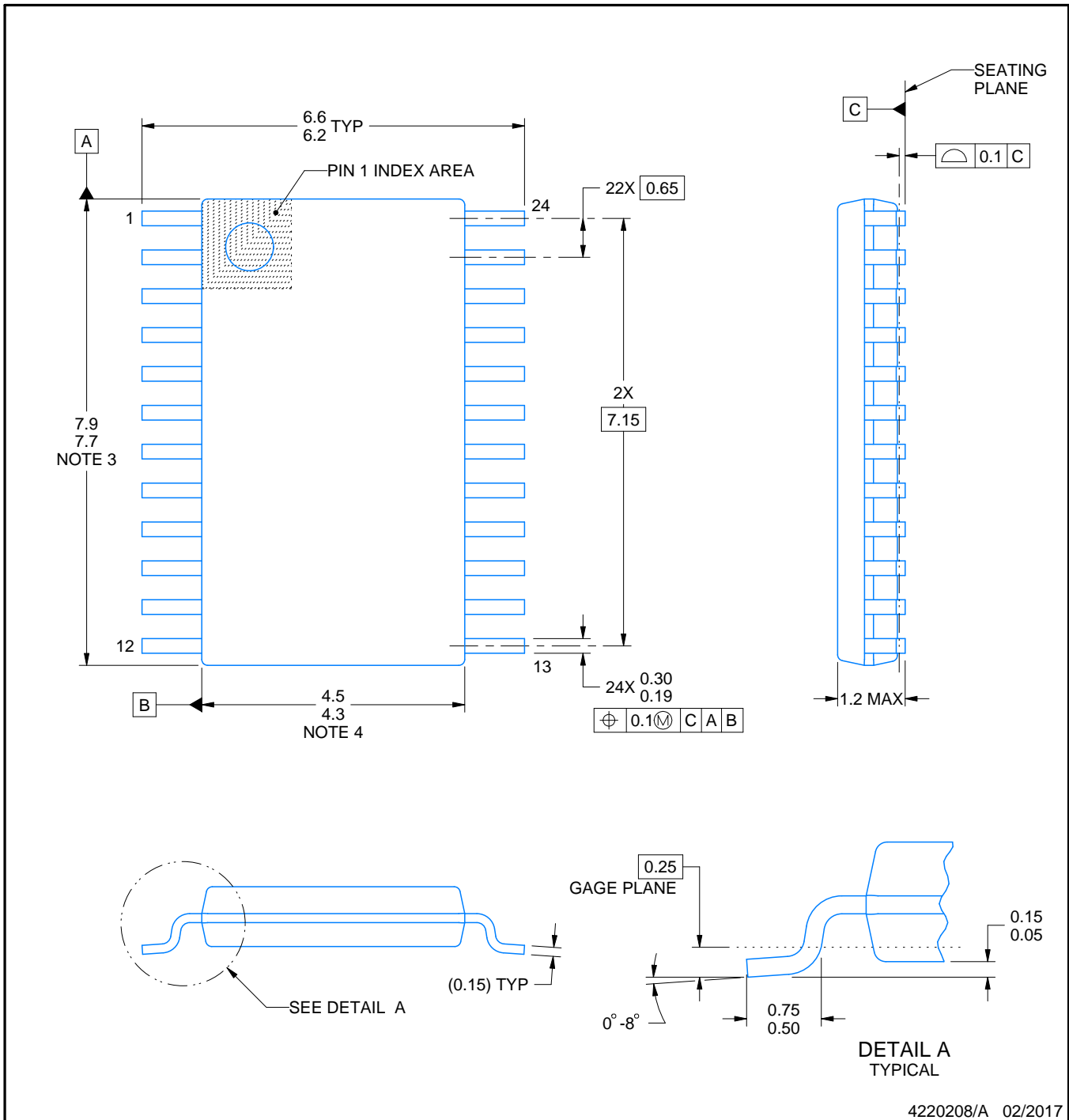
# PW0024A



# PACKAGE OUTLINE

## TSSOP - 1.2 mm max height

SMALL OUTLINE PACKAGE



4220208/A 02/2017

### NOTES:

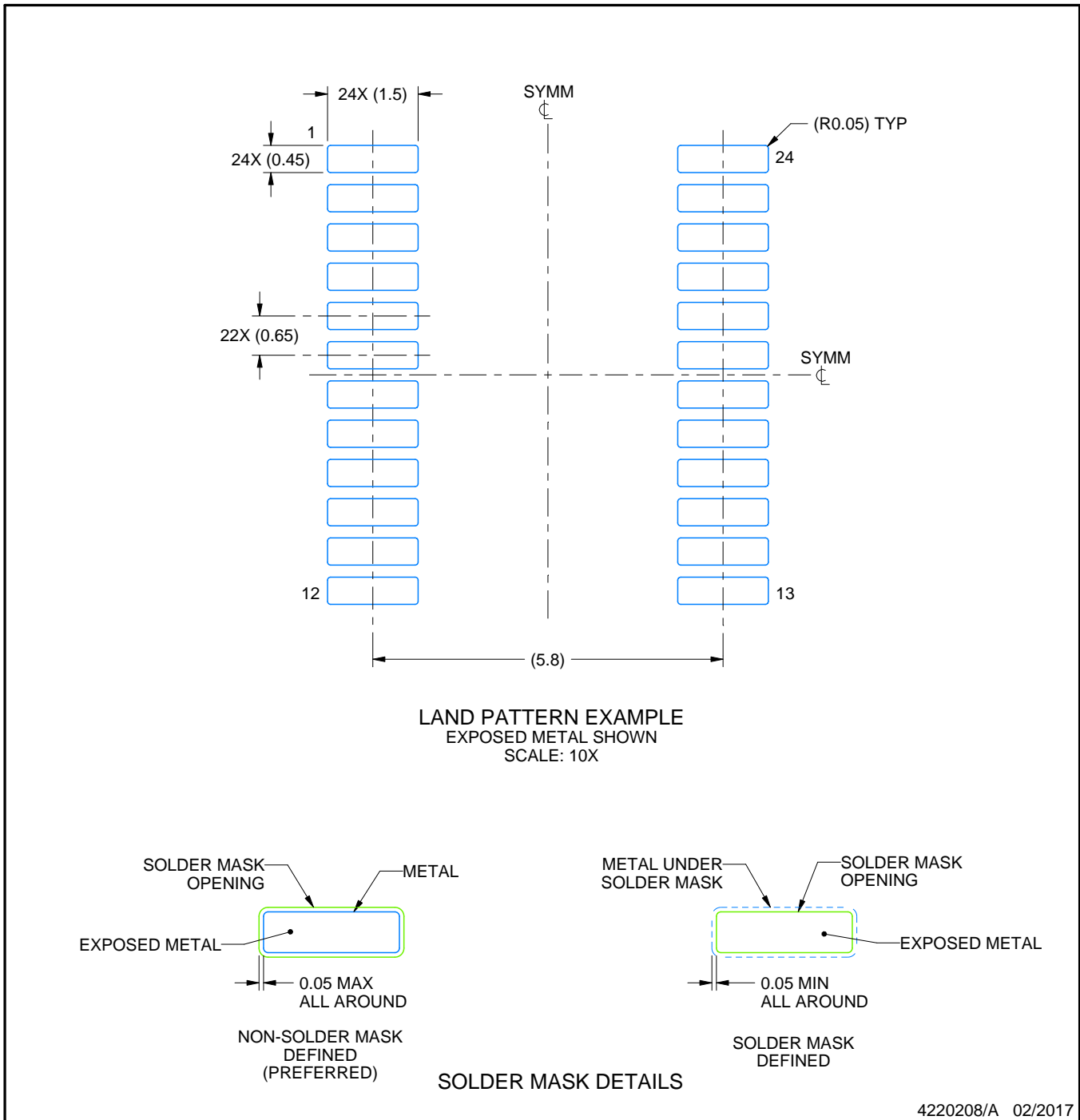
1. All linear dimensions are in millimeters. Any dimensions in parenthesis are for reference only. Dimensioning and tolerancing per ASME Y14.5M.
2. This drawing is subject to change without notice.
3. This dimension does not include mold flash, protrusions, or gate burrs. Mold flash, protrusions, or gate burrs shall not exceed 0.15 mm per side.
4. This dimension does not include interlead flash. Interlead flash shall not exceed 0.25 mm per side.
5. Reference JEDEC registration MO-153.

# EXAMPLE BOARD LAYOUT

PW0024A

TSSOP - 1.2 mm max height

SMALL OUTLINE PACKAGE



NOTES: (continued)

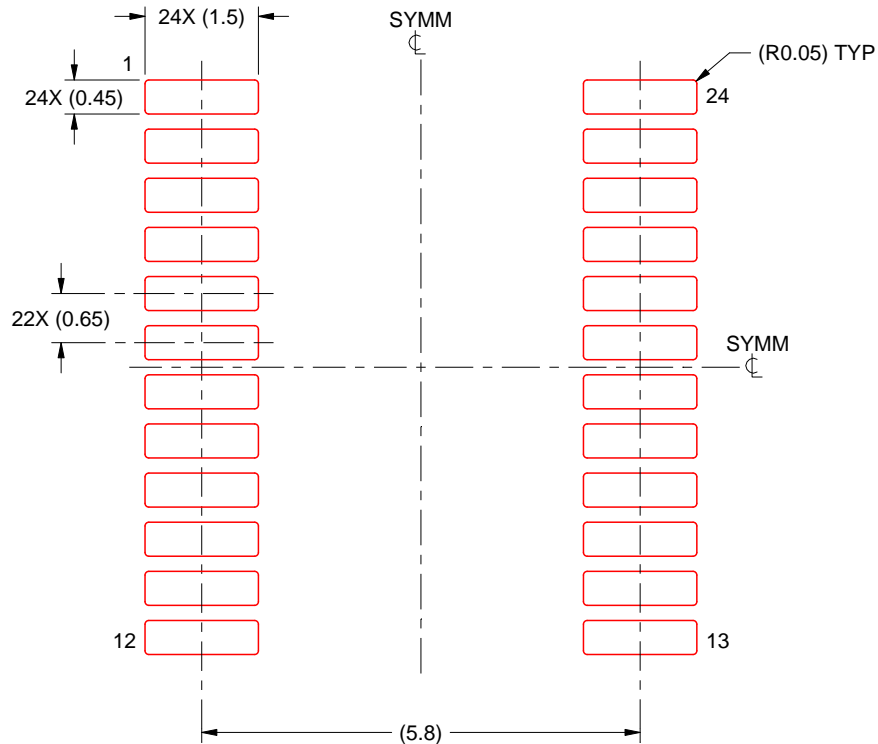
6. Publication IPC-7351 may have alternate designs.
7. Solder mask tolerances between and around signal pads can vary based on board fabrication site.

# EXAMPLE STENCIL DESIGN

PW0024A

TSSOP - 1.2 mm max height

SMALL OUTLINE PACKAGE



SOLDER PASTE EXAMPLE  
BASED ON 0.125 mm THICK STENCIL  
SCALE: 10X

4220208/A 02/2017

NOTES: (continued)

8. Laser cutting apertures with trapezoidal walls and rounded corners may offer better paste release. IPC-7525 may have alternate design recommendations.
9. Board assembly site may have different recommendations for stencil design.

## 重要声明和免责声明

TI“按原样”提供技术和可靠性数据（包括数据表）、设计资源（包括参考设计）、应用或其他设计建议、网络工具、安全信息和其他资源，不保证没有瑕疵且不做任何明示或暗示的担保，包括但不限于对适销性、某特定用途方面的适用性或不侵犯任何第三方知识产权的暗示担保。

这些资源可供使用 TI 产品进行设计的熟练开发人员使用。您将自行承担以下全部责任：(1) 针对您的应用选择合适的 TI 产品，(2) 设计、验证并测试您的应用，(3) 确保您的应用满足相应标准以及任何其他功能安全、信息安全、监管或其他要求。

这些资源如有变更，恕不另行通知。TI 授权您仅可将这些资源用于研发本资源所述的 TI 产品的应用。严禁对这些资源进行其他复制或展示。您无权使用任何其他 TI 知识产权或任何第三方知识产权。您应全额赔偿因在这些资源的使用中对 TI 及其代表造成的任何索赔、损害、成本、损失和债务，TI 对此概不负责。

TI 提供的产品受 [TI 的销售条款](#) 或 [ti.com](#) 上其他适用条款/TI 产品随附的其他适用条款的约束。TI 提供这些资源并不会扩展或以其他方式更改 TI 针对 TI 产品发布的适用的担保或担保免责声明。

TI 反对并拒绝您可能提出的任何其他或不同的条款。

邮寄地址：Texas Instruments, Post Office Box 655303, Dallas, Texas 75265

Copyright © 2023，德州仪器 (TI) 公司