

## TLC696x1 16 通道、局部调光背光 LED 驱动器

### 1 特性

- 工作电压  $V_{CC}$  范围：3V 至 5.5V
- 16 个高精度恒定电流阱：
  - 最大输出电流/电压：
    - 30mA/20V：TLC69601
    - 60mA/20V：TLC69611
    - 30mA/50V：TLC69651
    - 60mA/50V：TLC69661
  - 器件间误差： $\pm 2\%$  (典型值)
  - 通道间误差： $\pm 2\%$  (典型值)
- 灵活的调光控制：
  - 全局 8 位最大电流 (MC) 设置
  - 亮度分辨率：高达 15 位
  - PWM/混合控制模式
- 高速菊花链接口：
  - I/O 电压兼容：1.8 V/3.3 V
  - 数据传输速率：高达 20MHz
- 高系统效率：
  - 自适应余量电压控制 (AHVC)
  - 超低器件功耗：
    - 待机模式： $I_{CC} \leq 200 \mu A$
    - 正常模式： $I_{CC} \leq 3.5mA$
- EMI 增强：
  - 可编程接口驱动能力
  - 集成四相相移方案
- 显示质量改进：
  - 超低亮度更新延迟
  - 可编程插黑
  - 无闪烁的可变刷新率 (VRR)
- 诊断：
  - 每个区域的 LED 开路/短路检测
  - 器件热关断检测
  - 报告界面选项：
    - UART 和中断引脚 (INT)
    - 两线制输出：CLK\_O 和 SOUT

### 2 应用

- LCD 局部调光背光：
  - 电视
  - 监视器
  - 笔记本电脑
  - 平板电脑

### 3 说明

是一款 16 通道恒定电流阱驱动器。每个器件都集成了 16 个具有 SRAM (用于存储亮度) 的恒定电流阱。该器件在菊花链拓扑中通过两线制串行接口相互连接，支持多达 1024 个器件，可用于 16,000 个局部调光区域。

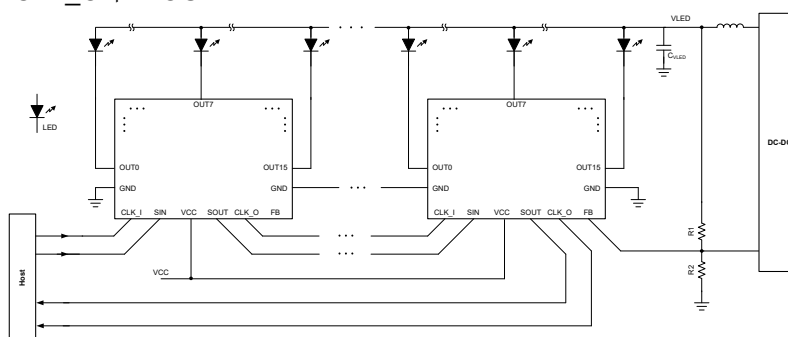
为了优化系统效率，该器件配备了自适应余量电压控制方案，以直接控制直流/直流。为了简化系统布局，只需将串行链中最后一个器件的 FB 引脚连接到直流/直流。该器件还集成了超低亮度更新延迟、插黑和 VRR 特性，以提高显示质量。

TLC696x1 有三个错误标志：用于诊断的 LED 开路检测 (LOD)、LED 短路检测 (LSD) 和热关断检测 (TSD)。该器件实现了两个回读选项 (包括 UART/INT 和 SOUT/CLK\_O)，可通过寄存器进行编程。

#### 器件信息

器件型号	封装 <sup>(1)</sup>	封装尺寸 (标称值)
TLC696x1	DSBGA (24)	1.58 mm × 2.43 mm
	WQFN (24)	4mm x 4mm

(1) 如需了解所有可用封装，请参阅数据表末尾的可订购产品附录。



简化原理图



## Table of Contents

<b>1 特性</b> .....	<b>1</b>	5.2 支持资源.....	<b>3</b>
<b>2 应用</b> .....	<b>1</b>	5.3 Trademarks.....	<b>3</b>
<b>3 说明</b> .....	<b>1</b>	5.4 静电放电警告.....	<b>3</b>
<b>4 Revision History</b> .....	<b>2</b>	5.5 术语表.....	<b>3</b>
<b>5 Device and Documentation Support</b> .....	<b>3</b>	<b>6 Mechanical, Packaging, and Orderable Information</b> ...	<b>4</b>
5.1 接收文档更新通知.....	<b>3</b>		

## 4 Revision History

注：以前版本的页码可能与当前版本的页码不同

DATE	REVISION	NOTES
April 2023	*	Initial Release

## 5 Device and Documentation Support

TI offers an extensive line of development tools. Tools and software to evaluate the performance of the device, generate code, and develop solutions are listed below.

### 5.1 接收文档更新通知

要接收文档更新通知，请导航至 [ti.com](https://www.ti.com) 上的器件产品文件夹。点击 [订阅更新](#) 进行注册，即可每周接收产品信息更改摘要。有关更改的详细信息，请查看任何已修订文档中包含的修订历史记录。

### 5.2 支持资源

[TI E2E™ 支持论坛](#) 是工程师的重要参考资料，可直接从专家获得快速、经过验证的解答和设计帮助。搜索现有解答或提出自己的问题可获得所需的快速设计帮助。

链接的内容由各个贡献者“按原样”提供。这些内容并不构成 TI 技术规范，并且不一定反映 TI 的观点；请参阅 TI 的 [《使用条款》](#)。

### 5.3 Trademarks

TI E2E™ is a trademark of Texas Instruments.

所有商标均为其各自所有者的财产。

### 5.4 静电放电警告



静电放电 (ESD) 会损坏这个集成电路。德州仪器 (TI) 建议通过适当的预防措施处理所有集成电路。如果不遵守正确的处理和安装程序，可能会损坏集成电路。

ESD 的损坏小至导致微小的性能降级，大至整个器件故障。精密的集成电路可能更容易受到损坏，这是因为非常细微的参数更改都可能会导致器件与其发布的规格不相符。

### 5.5 术语表

[TI 术语表](#) 本术语表列出并解释了术语、首字母缩略词和定义。

## 6 Mechanical, Packaging, and Orderable Information

The following pages include mechanical, packaging, and orderable information. This information is the most current data available for the designated devices. This data is subject to change without notice and revision of this document. For browser-based versions of this data sheet, refer to the left-hand navigation.

**PACKAGING INFORMATION**

Orderable Device	Status (1)	Package Type	Package Drawing	Pins	Package Qty	Eco Plan (2)	Lead finish/ Ball material (6)	MSL Peak Temp (3)	Op Temp (°C)	Device Marking (4/5)	Samples
TLC69601RTWR	ACTIVE	WQFN	RTW	24	3000	RoHS & Green	NIPDAU	Level-1-260C-UNLIM	-40 to 85	69601	<a href="#">Samples</a>
TLC69601YBHR	ACTIVE	DSBGA	YBH	24	3000	RoHS & Green	SNAGCU	Level-1-260C-UNLIM	-40 to 85	TLC69601	<a href="#">Samples</a>
TLC69611RTWR	ACTIVE	WQFN	RTW	24	3000	RoHS & Green	NIPDAU	Level-1-260C-UNLIM	-40 to 85	69611	<a href="#">Samples</a>
TLC69651RTWR	ACTIVE	WQFN	RTW	24	3000	RoHS & Green	NIPDAU	Level-1-260C-UNLIM	-40 to 85	69651	<a href="#">Samples</a>
TLC69661RTWR	ACTIVE	WQFN	RTW	24	3000	RoHS & Green	NIPDAU	Level-1-260C-UNLIM	-40 to 85	69661	<a href="#">Samples</a>

(1) The marketing status values are defined as follows:

**ACTIVE:** Product device recommended for new designs.

**LIFEBUY:** TI has announced that the device will be discontinued, and a lifetime-buy period is in effect.

**NRND:** Not recommended for new designs. Device is in production to support existing customers, but TI does not recommend using this part in a new design.

**PREVIEW:** Device has been announced but is not in production. Samples may or may not be available.

**OBSELETE:** TI has discontinued the production of the device.

(2) **RoHS:** TI defines "RoHS" to mean semiconductor products that are compliant with the current EU RoHS requirements for all 10 RoHS substances, including the requirement that RoHS substance do not exceed 0.1% by weight in homogeneous materials. Where designed to be soldered at high temperatures, "RoHS" products are suitable for use in specified lead-free processes. TI may reference these types of products as "Pb-Free".

**RoHS Exempt:** TI defines "RoHS Exempt" to mean products that contain lead but are compliant with EU RoHS pursuant to a specific EU RoHS exemption.

**Green:** TI defines "Green" to mean the content of Chlorine (Cl) and Bromine (Br) based flame retardants meet JS709B low halogen requirements of <=1000ppm threshold. Antimony trioxide based flame retardants must also meet the <=1000ppm threshold requirement.

(3) MSL, Peak Temp. - The Moisture Sensitivity Level rating according to the JEDEC industry standard classifications, and peak solder temperature.

(4) There may be additional marking, which relates to the logo, the lot trace code information, or the environmental category on the device.

(5) Multiple Device Markings will be inside parentheses. Only one Device Marking contained in parentheses and separated by a "~" will appear on a device. If a line is indented then it is a continuation of the previous line and the two combined represent the entire Device Marking for that device.

(6) Lead finish/Ball material - Orderable Devices may have multiple material finish options. Finish options are separated by a vertical ruled line. Lead finish/Ball material values may wrap to two lines if the finish value exceeds the maximum column width.

**Important Information and Disclaimer:** The information provided on this page represents TI's knowledge and belief as of the date that it is provided. TI bases its knowledge and belief on information provided by third parties, and makes no representation or warranty as to the accuracy of such information. Efforts are underway to better integrate information from third parties. TI has taken and continues to take reasonable steps to provide representative and accurate information but may not have conducted destructive testing or chemical analysis on incoming materials and chemicals. TI and TI suppliers consider certain information to be proprietary, and thus CAS numbers and other limited information may not be available for release.

In no event shall TI's liability arising out of such information exceed the total purchase price of the TI part(s) at issue in this document sold by TI to Customer on an annual basis.

## GENERIC PACKAGE VIEW

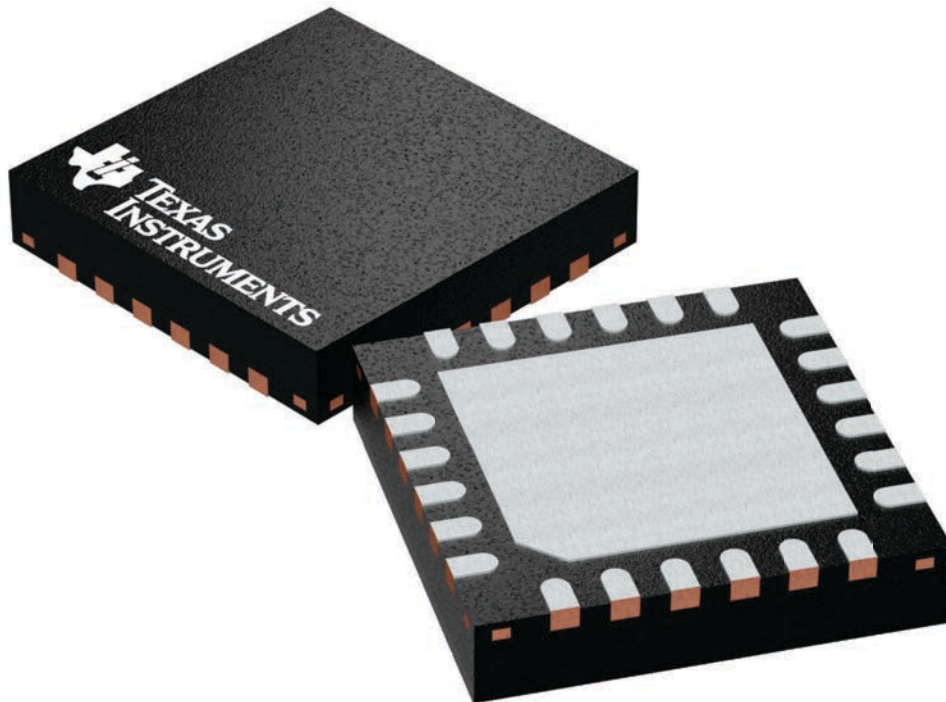
**RTW 24**

**WQFN - 0.8 mm max height**

4 x 4, 0.5 mm pitch

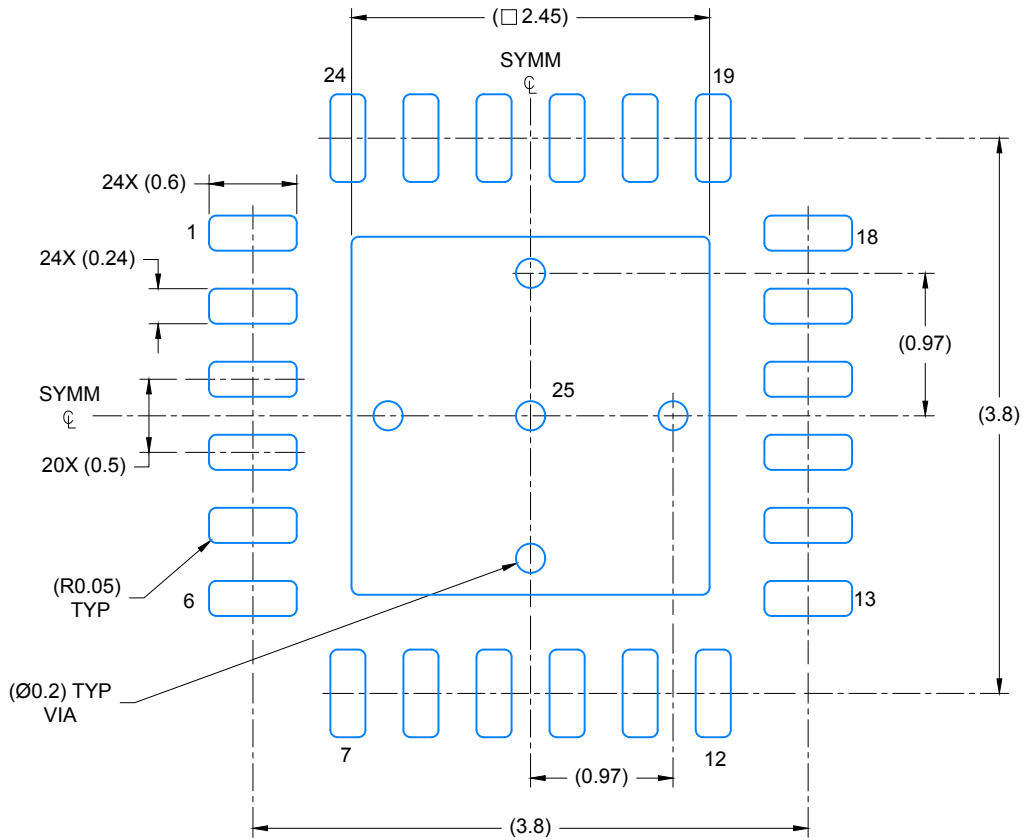
PLASTIC QUAD FLATPACK - NO LEAD

This image is a representation of the package family, actual package may vary.  
Refer to the product data sheet for package details.

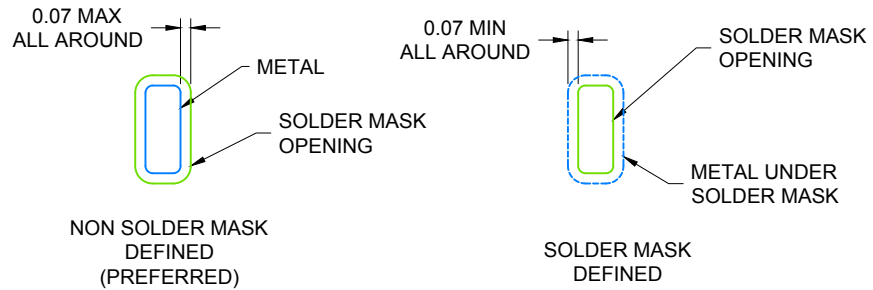


4224801/A





LAND PATTERN EXAMPLE  
SCALE: 20X

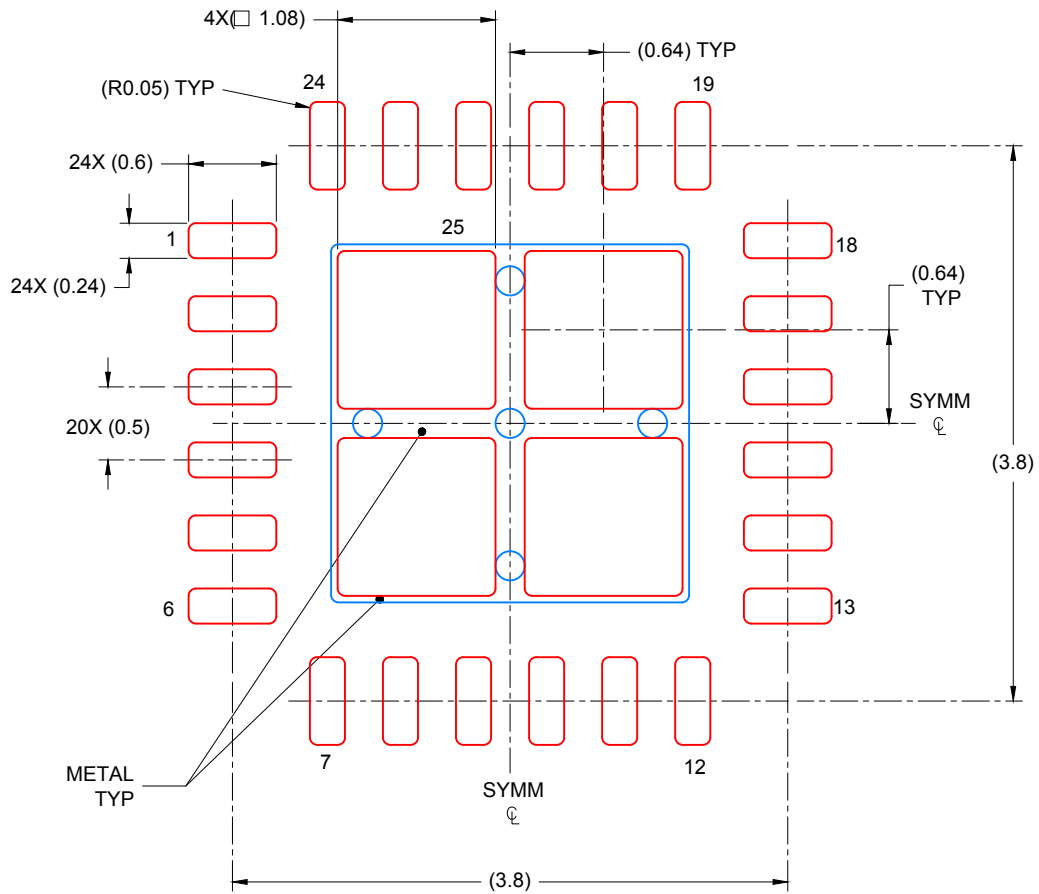


SOLDER MASK DETAILS

4219135/B 11/2016

NOTES: (continued)

- For more information, see Texas Instruments literature number SLUA271 ([www.ti.com/lit/sluea271](http://www.ti.com/lit/sluea271)).



SOLDER PASTE EXAMPLE  
 BASED ON 0.125 mm THICK STENCIL

EXPOSED PAD 25:  
 78% PRINTED COVERAGE BY AREA UNDER PACKAGE  
 SCALE: 20X

4219135/B 11/2016

NOTES: (continued)

4. Laser cutting apertures with trapezoidal walls and rounded corners may offer better paste release. IPC-7525 may have alternate design recommendations.

## 重要声明和免责声明

TI“按原样”提供技术和可靠性数据（包括数据表）、设计资源（包括参考设计）、应用或其他设计建议、网络工具、安全信息和其他资源，不保证没有瑕疵且不做任何明示或暗示的担保，包括但不限于对适销性、某特定用途方面的适用性或不侵犯任何第三方知识产权的暗示担保。

这些资源可供使用 TI 产品进行设计的熟练开发人员使用。您将自行承担以下全部责任：(1) 针对您的应用选择合适的 TI 产品，(2) 设计、验证并测试您的应用，(3) 确保您的应用满足相应标准以及任何其他功能安全、信息安全、监管或其他要求。

这些资源如有变更，恕不另行通知。TI 授权您仅可将这些资源用于研发本资源所述的 TI 产品的应用。严禁对这些资源进行其他复制或展示。您无权使用任何其他 TI 知识产权或任何第三方知识产权。您应全额赔偿因在这些资源的使用中对 TI 及其代表造成的任何索赔、损害、成本、损失和债务，TI 对此概不负责。

TI 提供的产品受 [TI 的销售条款](#) 或 [ti.com](#) 上其他适用条款/TI 产品随附的其他适用条款的约束。TI 提供这些资源并不会扩展或以其他方式更改 TI 针对 TI 产品发布的适用的担保或担保免责声明。

TI 反对并拒绝您可能提出的任何其他或不同的条款。

邮寄地址：Texas Instruments, Post Office Box 655303, Dallas, Texas 75265

Copyright © 2023，德州仪器 (TI) 公司