

TCA39416 具有上升时间加速器的超低电压 I3C 转换器

1 特性

- 适用于 I3C、I²C、SMBus 和 SPI 应用的 2 位双电源双向转换器
- 在无方向引脚的情况下提供双向电压转换
- 高阻抗输出 Ax 和 Bx 引脚 (当 OE = 0V 或 V_{CC} = 0V 时)
- Ax 和 Bx 引脚上配有内部 10kΩ 上拉电阻器
- A 端口和 B 端口上的电压均为 0.72V 至 1.98V ; V_{CCA} ≤ V_{CCB}
- 与 MIPI I3C 兼容、支持高达 12.5MHz 的速度
- V_{CC} 隔离特性: 如果任何一个 V_{CC} 输入接地 (GND), 则 A 端口和 B 端口均处于高阻抗状态
- 无需电源定序: V_{CCA} 或 V_{CCB} 均可优先斜升
- 低至 2.5μA 的 I_{off} (当 V_{CCA} 或 V_{CCB} = 0V 时)
- OE 输入可直接连接至 V_{CCA}, 也可通过 GPIO 进行控制
- 闩锁性能超过 100mA, 符合 JESD 78 II 类规范
- ESD 保护性能超过 JESD 22 规范要求
 - 4000V 人体放电模型 (A114-B)
 - 1500V 充电器件模型 (C101)

2 应用

- 服务器
- 可穿戴设备
- 个人电子产品

3 说明

TCA39416 是一款具有输出使能 (OE) 输入以及上升沿和下降沿加速器的 2 位双向 MIPI I3C v1.1.1、I²C、SMBus 和 SPI 电压电平转换器。该器件在 A 侧和 B 侧的工作电压范围为 0.72V 至 1.98V, V_{CCA} 必须低于 V_{CCB}, 才能正常运行。有了此限制, 该器件能够在典型的 1V、1.2V 和 1.8V 电源轨之间进行任何高低逻辑信号电平切换。

OE 输入引脚的基准为 V_{CCA}, 可以直接连接至 V_{CCA}, 但也可以承受 1.98V 的电压。用户还可以对 OE 引脚进行控制, 将其设置为低电平, 使所有 Ax (A1、A2) 和 Bx (B1、B2) 引脚均处于高阻抗状态, 从而显著减少静态电流消耗。

TCA39416 与 12.5MHz I3C 速度兼容, 并且能够通过两个器件支持高速 SPI 应用。它还可在正常 I²C 和 SMBus 配置下为传统的 I2C 总线/SMBus 应用实现双向电压电平转换。

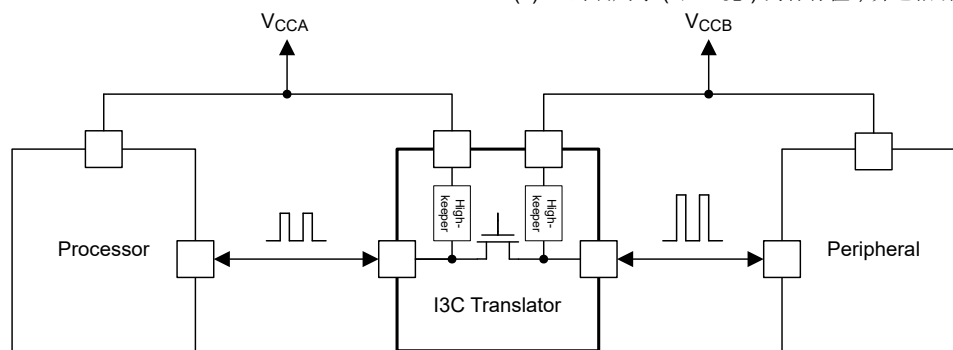
TCA39416 在 Ax 和 Bx 上使用内部 10kΩ 上拉电阻器充当高电平保持器, 并在总线为高电平时根据各自的 V_{CC} 电压启用。

封装信息

器件型号	封装 ⁽¹⁾	封装尺寸 ⁽²⁾
TCA39416	X2SON (8)	1mm x 1.35mm
	SOT-23-T (8)	2.9mm x 2.8mm

(1) 如需了解所有可用封装, 请参阅数据表末尾的可订购产品附录。

(2) 封装尺寸 (长 × 宽) 为标称值, 并包括引脚 (如适用)。



简化版应用



Table of Contents

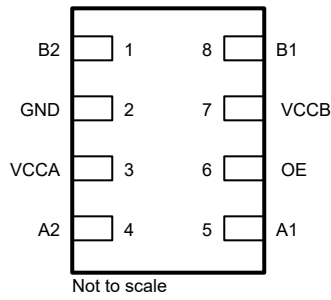
1 特性	1	8.2 Functional Block Diagram.....	12
2 应用	1	8.3 Feature Description.....	12
3 说明	1	8.4 Device Functional Modes.....	14
4 Revision History	2	9 Application and Implementation	15
5 Pin Configuration and Functions	3	9.1 Application Information.....	15
6 Specifications	4	9.2 Typical Application.....	15
6.1 Absolute Maximum Ratings.....	4	9.3 Power Supply Recommendations.....	16
6.2 ESD Ratings.....	4	9.4 Layout.....	17
6.3 Recommended Operating Conditions.....	5	10 Device and Documentation Support	18
6.4 Thermal Information.....	5	10.1 Documentation Support.....	18
6.5 Electrical Characteristics.....	6	10.2 接收文档更新通知.....	18
6.6 Timing Requirements.....	7	10.3 支持资源.....	18
6.7 Switching Characteristics.....	8	10.4 Trademarks.....	18
6.8 Typical Characteristics.....	9	10.5 静电放电警告.....	18
7 Parameter Measurement Information	10	10.6 术语表.....	18
7.1 Voltage Waveforms.....	11	11 Mechanical, Packaging, and Orderable Information	18
8 Detailed Description	12		
8.1 Overview.....	12		

4 Revision History

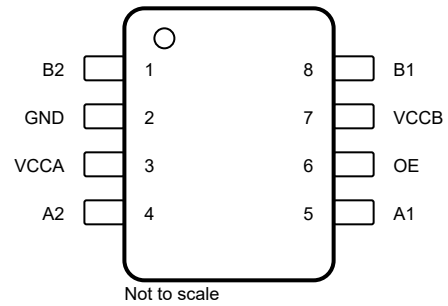
注：以前版本的页码可能与当前版本的页码不同

Changes from Revision * (December 2022) to Revision A (July 2023)	Page
• 删除了封装信息表中 X2SON 的产品预发布说明.....	1
• Added thermal information for DTW.....	5
• Deleted sentence "When V_{CCA} is same as V_{CCB} ,..." from the <i>Power Supply Recommendations</i>	16

5 Pin Configuration and Functions



**图 5-1. 8-PIN DTW
(Top View)**



**图 5-2. 8-PIN DDF
(Top View)**

表 5-1. Pin Functions

NAME	PIN		TYPE	DESCRIPTION
	NO.	DTW, DDF		
B2	1		I/O	Input/output B. Referenced to V_{CCB} .
B1	8		I/O	Input/output B. Referenced to V_{CCB} .
GND	2		GND	Ground.
VCCA	3		Power	A-port supply voltage. $0.72\text{ V} \leq V_{CCA} \leq 1.98\text{ V}$.
A1	5		I/O	Input/output A. Referenced to V_{CCA} .
A2	4		I/O	Input/output A. Referenced to V_{CCA} .
OE	6		I	Output enable (active High). Pull OE low to place all outputs in 3-state mode. Referenced to V_{CCA} .
VCCB	7		Power	B-port supply voltage. $0.72\text{ V} \leq V_{CCB} \leq 1.98\text{ V}$.

6 Specifications

6.1 Absolute Maximum Ratings

over recommended operating free-air temperature range (unless otherwise noted)⁽¹⁾

			MIN	MAX	UNIT
V _{CCA}	Supply voltage range		- 0.5	2.5	V
V _{CCB}	Supply voltage range		- 0.5	2.5	V
V _I	Input voltage range ⁽²⁾	A port	- 0.5	2.5	V
		B port	- 0.5	2.5	
V _O	Voltage range applied to any output in the high-impedance or power-off state ⁽²⁾	A port	- 0.5	2.5	V
		B port	- 0.5	2.5	
V _O	Voltage range applied to any output in the high or low state ^{(2) (3)}	A port	- 0.5	2.5	V
		B port	- 0.5	2.5	
I _{IK}	Input clamp current	V _I < 0		- 50	mA
I _{OK}	Output clamp current	V _O < 0		- 50	mA
I _O	Continuous output current			±50	mA
	Continuous current through V _{CCA} , V _{CCB} , or GND			±100	mA
T _{stg}	Storage temperature		- 65	150	°C
P _{tot}	Total power dissipation			100	mW

- (1) Operation outside the Absolute Maximum Ratings may cause permanent device damage. Absolute Maximum Ratings do not imply functional operation of the device at these or any other conditions beyond those listed under Recommended Operating Conditions. If used outside the Recommended Operating Conditions but within the Absolute Maximum Ratings, the device may not be fully functional, and this may affect device reliability, functionality, performance, and shorten the device lifetime.
- (2) The input and output negative-voltage ratings may be exceeded if the input and output current ratings are observed.
- (3) The value of V_{CCA} and V_{CCB} are provided in the recommended operating conditions table.

6.2 ESD Ratings

			VALUE	UNIT
V _(ESD)	Electrostatic discharge	Human-body model (HBM), per ANSI/ESDA/JEDEC JS-001 ⁽¹⁾	±4000	V
		Charged-device model (CDM), per JEDEC specification JESD22-C101 ⁽²⁾	±1500	V

- (1) JEDEC document JEP155 states that 500-V HBM allows safe manufacturing with a standard ESD control process.
- (2) JEDEC document JEP157 states that 250-V CDM allows safe manufacturing with a standard ESD control process.

6.3 Recommended Operating Conditions

over recommended operating free-air temperature range (unless otherwise noted)

		V_{CCA}	V_{CCB}	MIN	MAX	UNIT	
V_{CCA}	Supply voltage			0.72	1.98	V	
V_{CCB}	Supply voltage			0.72	1.98	V	
V_I	Input voltage	A-port I/Os, B-port I/Os, OE	0 V to 1.98 V	0 V to 1.98 V	0	1.98	V
V_{IH}	High-level input voltage	OE input	0.72 V to 1.98 V	0.72 V to 1.98 V	$V_{CCA} \times 0.65$	1.98	V
V_{IL}	Low-level input voltage	OE input	0.72 V to 1.98 V	0.72 V to 1.98 V	0	$V_{CCA} \times 0.35$	V
$\Delta t / \Delta V$	Input transition rise and fall rate		0.72 V to 1.98 V	0.72 V to 1.98 V		5	ns/V
T_A	Operating free-air temperature				- 40	125	°C

6.4 Thermal Information

THERMAL METRIC ⁽¹⁾		TCA39416	TCA39416	UNIT
		DDF (SOT-23)	DTW (X2SON)	
		8 PINS	8 PINS	
$R_{\theta JA}$	Junction-to-ambient thermal resistance	220.8	261.6	°C/W
$R_{\theta JC(top)}$	Junction-to-case (top) thermal resistance	132.4	128.6	°C/W
$R_{\theta JB}$	Junction-to-board thermal resistance	138.3	146.8	°C/W
ψ_{JT}	Junction-to-top characterization parameter	24.2	8.2	°C/W
ψ_{JB}	Junction-to-board characterization parameter	137.2	146.1	°C/W

- (1) For more information about traditional and new thermal metrics, see the [Semiconductor and IC Package Thermal Metrics](#) application report.

6.5 Electrical Characteristics

over recommended operating free-air temperature range (unless otherwise noted)^{1 2 3}

PARAMETER		TEST CONDITIONS	V _{CCA}	V _{CCB}	MIN	TYP	MAX	UNIT
V _{UVLO_RISE}	UVLO Rising Threshold	V _{UVLO} for V _{CCA} and V _{CCB} are independent	0 V to 1.98 V	0 V to 1.98 V	0.3	0.55	0.65	V
V _{UVLO_FALL}	UVLO Falling Threshold	V _{UVLO} for V _{CCA} and V _{CCB} are independent	0 V to 1.98 V	0 V to 1.98 V	0.25	0.5	0.6	V
V _{RTA} ⁴	RTA Activation Threshold		0.72 V to 1.98 V	0.72 V to 1.98 V	V _{CCI} × 0.30	V _{CCI} × 0.45		V
V _{FTA} ⁴	FTA Activation Threshold		0.72 V to 1.98 V	0.72 V to 1.98 V		V _{CCI} × 0.40	V _{CCI} × 0.70	V
R _{PU}		V _I = V _{CC} - 0.15 V	0.72 V to 1.98 V	0.72 V to 1.98 V	7.5	10	15	kΩ
I _I	OE	V _I = V _{CCA} or GND	0.72 V to 1.98 V	0.72 V to 1.98 V		±0.1	±1	μA
I _{OZ}	A or B port	OE less than V _{IL}	0.72 V to 1.98 V	0.72 V to 1.98 V		0	±2.5	μA
I _{off}	A port	V _I = 1.98 V, V _O = 0 V (T _A ≤ 85°C)	0 V	0 V to 1.98 V		±0.1	±0.5	μA
	B port	V _I = 1.98 V, V _O = 0 V (T _A ≤ 85°C)	0 V to 1.98 V	0 V		±0.1	±0.5	
	A port	V _I = 1.98 V, V _O = 0 V (T _A ≤ 125°C)	0 V	0 V to 1.98 V		±0.1	±2.5	
	B port	V _I = 1.98 V, V _O = 0 V (T _A ≤ 125°C)	0 V to 1.98 V	0 V		±0.1	±2.5	
I _{CC_OFF}	V _{CCA}	V _I = V _O = 0 V to 1.98 V, I _O = 0, OE = 0 V	0.72 V to 1.98 V	0.72 V to 1.98 V		2.5	20	μA
	V _{CCB}	V _I = V _O = 0 V to 1.98 V, I _O = 0, OE = 0 V				2.5	20	
I _{CCA}		V _I = V _O = 0 V or V _{CCI} , I _O = 0, OE = V _{CCA}	0.72 V	0.72 V to 1.98 V		1.5	40	μA
			1.1 V	1.1 V to 1.98 V		2	25	
			1.32 V	1.32 V to 1.98 V		3	25	
			1.98 V	1.98 V		4	28	
I _{CCB}		V _I = V _O = 0 V or V _{CCI} , I _O = 0, OE = V _{CCA}	0.72 V	0.72 V to 1.98 V		1	24	μA
			1.1 V	1.1 V to 1.98 V		1.5	26	
			1.32 V	1.32 V to 1.98 V		2	26	
			1.98 V	1.98 V		2.5	28	
I _{CCA} + I _{CCB}		V _I = V _O = 0 V or V _{CCI} , I _O = 0, OE = V _{CCA}	0.72 V	0.72 V to 1.98 V		1	46	μA
			1.1 V	1.1 V to 1.98 V		2	48	
			1.32 V	1.32 V to 1.98 V		4	48	
			1.98 V	1.98 V		6	54	
R _{on}		V _I = 0.1 V, I _O = 2 mA	1.8 V	1.8 V		8	20	Ω
			0.8 V, 1.8 V	1.8 V, 0.8 V		10	28	
			1.2 V, 1.8 V	1.8 V, 1.2 V		8	18	
C _I	OE		1.98 V	1.98 V		2	3	pF
C _{io}	A or B port		0 V, 1 V, 1.98 V	0 V, 1 V, 1.98 V		4	8	pF

- (1) V_{CCI} is the V_{CC} associated with the input port.
- (2) V_{CCO} is the V_{CC} associated with the output port.
- (3) V_{CCA} must be less than or equal to V_{CCB}, and V_{CCA} must not exceed 1.98 V.
- (4) RTA is "rise time accelerator" and FTA is "fall time accelerator".

6.6 Timing Requirements

over operating free-air temperature range (unless otherwise noted). Typical specifications are at $T_A = 25\text{ }^\circ\text{C}$ unless otherwise noted.

PARAMETER		TEST CONDITIONS	MIN	TYP	MAX	UNIT
t_{RTA}	Time from V_{RTA} to RTA disabling	Ax, Bx = Hi-Z EN = V_{CC}		80	210	ns
t_W	Pulse width	data inputs	35			ns

6.7 Switching Characteristics

over recommended operating free-air temperature range (unless otherwise noted)

PARAMETER	FROM (INPUT)	TO (OUTPUT)	TEST CONDITIONS	MIN	TYP	MAX	UNIT
t_{PHL}	A	B	$V_{CCA} = 0.72\text{ V}$		8	20	ns
			$V_{CCA} = 0.8\text{ V}$		7	18	
			$V_{CCA} = 1.0\text{ V}$		4	13	
			$V_{CCA} = 1.2\text{ V}$		2	9	
			$V_{CCA} = 1.8\text{ V}$		1	5	
t_{PLH}	A	B	$V_{CCA} = 0.72\text{ V}$		8	30	ns
			$V_{CCA} = 0.8\text{ V}$		6	16	
			$V_{CCA} = 1.0\text{ V}$		3	10	
			$V_{CCA} = 1.2\text{ V}$		2	8	
			$V_{CCA} = 1.8\text{ V}$		0.5	4	
t_{PHL}	B	A	$V_{CCB} = 0.72\text{ V}$		9	18	ns
			$V_{CCB} = 0.8\text{ V}$		8	15	
			$V_{CCB} = 1.0\text{ V}$		8	16	
			$V_{CCB} = 1.2\text{ V}$		2	17	
			$V_{CCB} = 1.8\text{ V}$		2	18	
t_{PLH}	B	A	$V_{CCB} = 0.72\text{ V}$		9	35	ns
			$V_{CCB} = 0.8\text{ V}$		2	18	
			$V_{CCB} = 1.0\text{ V}$		1	16	
			$V_{CCB} = 1.2\text{ V}$		0.5	15	
			$V_{CCB} = 1.8\text{ V}$		0.5	14	
$t_{SK(O)-RISE}$	Rising Channel-to-channel skew (Propagation)					3	ns
$t_{SK(O)-FALL}$	Falling Channel-to-channel skew (Propagation)					3	ns
t_{en}	OE	A or B			40	124	ns
t_{dis}	OE	A or B			30	68	ns
t_{rA}	B-port	A-port	$V_{CCA} = 0.72\text{ V}$		18	42	ns
			$V_{CCA} = 0.8\text{ V}$		5	22	
			$V_{CCA} = 1.0\text{ V}$		4	15	
			$V_{CCA} = 1.2\text{ V}$		2	12	
			$V_{CCA} = 1.8\text{ V}$		1.5	9	
t_{rB}	A-port	B-port	$V_{CCB} = 0.72\text{ V}$		6	34	ns
			$V_{CCB} = 0.8\text{ V}$		4	21	
			$V_{CCB} = 1.0\text{ V}$		3	15	
			$V_{CCB} = 1.2\text{ V}$		2	13	
			$V_{CCB} = 1.8\text{ V}$		1.5	8	
t_{fA}	B-port	A-port	$V_{CCA} = 0.72\text{ V}$		4	12	ns
			$V_{CCA} = 0.8\text{ V}$		4	11	
			$V_{CCA} = 1.0\text{ V}$		3	11	
			$V_{CCA} = 1.2\text{ V}$		3	11	
			$V_{CCA} = 1.8\text{ V}$		4	12	
t_{fB}	A-port	B-port	$V_{CCB} = 0.72\text{ V}$		4	9	ns
			$V_{CCB} = 0.8\text{ V}$		4	9	
			$V_{CCB} = 1.0\text{ V}$		3	10	
			$V_{CCB} = 1.2\text{ V}$		3	11	
			$V_{CCB} = 1.8\text{ V}$		2	11	
f_{data}	Data rate			0.06		26	Mbps

6.8 Typical Characteristics

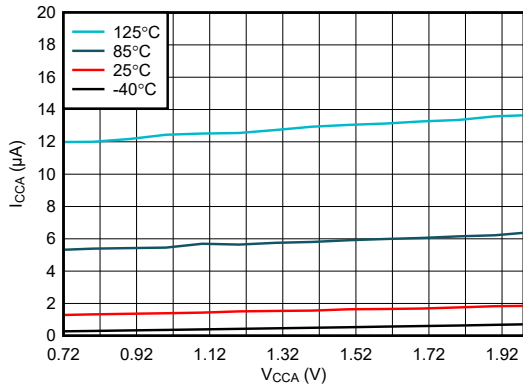


图 6-1. I_{CCA} (μA) vs V_{CCA} (V)

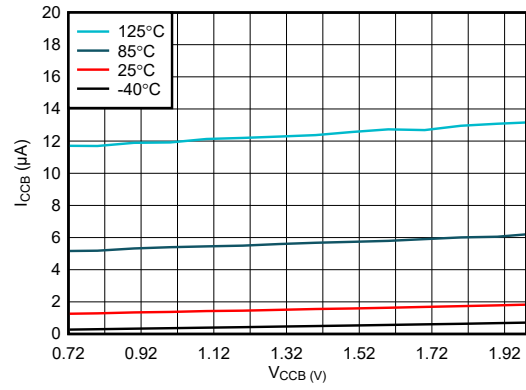


图 6-2. I_{CCB} (μA) vs V_{CCB} (V)

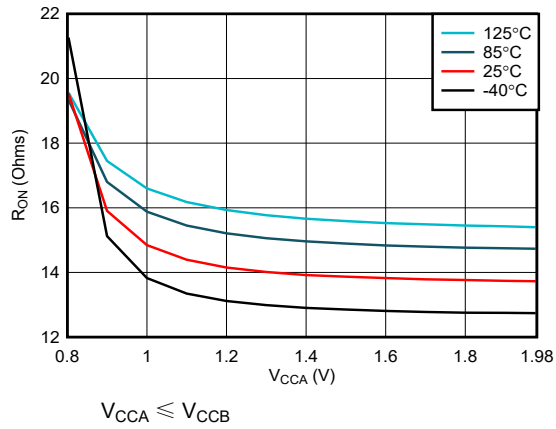


图 6-3. R_{ON} (Ω) vs $\text{Min}(V_{CCA}, V_{CCB})$ (V)

7 Parameter Measurement Information

Following load circuit is used to measure pulse duration, propagation delay, output rise-time and fall-time measurement.

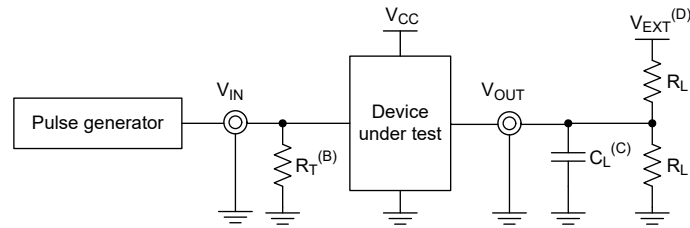


图 7-1. Load Circuit

- A. Load resistance $R_L = 1\text{ M}\Omega$ for measuring data rate, pulse width, propagation delay and output rise and fall measurements. $R_L = 50\text{ k}\Omega$ for measuring enable and disable times.
- B. R_T termination resistance should be equal to Z_{OUT} of pulse generators.
- C. C_L Load capacitance includes probe and jig capacitance. $C_L = 15\text{ pF}$ when on the B-side.
- D. V_{EXT} External voltage for measuring switching times.
- E. All input pulses are supplied by generators having the following characteristics: $PRR \leq 26\text{ MHz}$, $Z_O = 50\ \Omega$, slew rate $\geq 1\text{ V/ns}$.
- F. V_{CCI} is the V_{CC} associated with the input port.
- G. V_{CCO} is the V_{CC} associated with the output port.

7.1 Voltage Waveforms

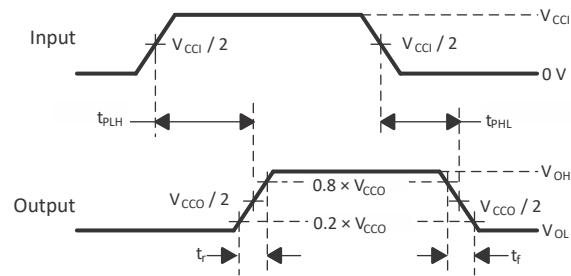
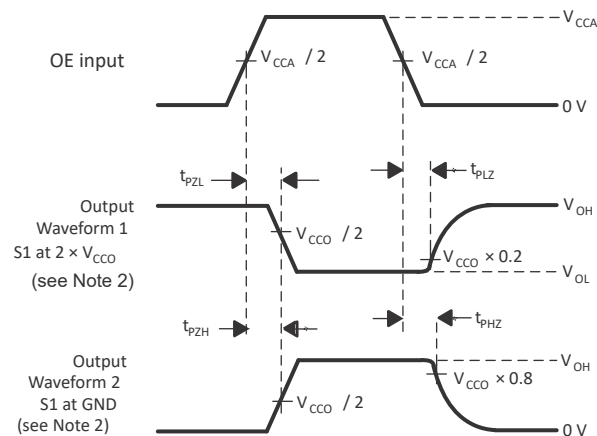


图 7-2. Propagation Delay Times



1. C_L includes probe and jig capacitance.
2. Waveform 1 in 图 7-3 is for an output with internal such that the output is high, except when OE is high (see 图 7-1). Waveform 2 in 图 7-3 is for an output with conditions such that the output is low, except when OE is high.
3. All input pulses are supplied by generators having the following characteristics: $PRR \leq 26 \text{ MHz}$, $Z_O = 50 \Omega$, $dv/dt \geq 1 \text{ V/ns}$.
4. The outputs are measured one at a time, with one transition per measurement.
5. t_{PLZ} and t_{PHZ} are the same as t_{dis} .
6. t_{PZL} and t_{PZH} are the same as t_{en} .
7. t_{PLH} and t_{PHL} are the same as t_{pd} .
8. V_{CCI} is the V_{CC} associated with the input port.
9. V_{CCO} is the V_{CC} associated with the output port.

图 7-3. Enable and Disable Times

8 Detailed Description

8.1 Overview

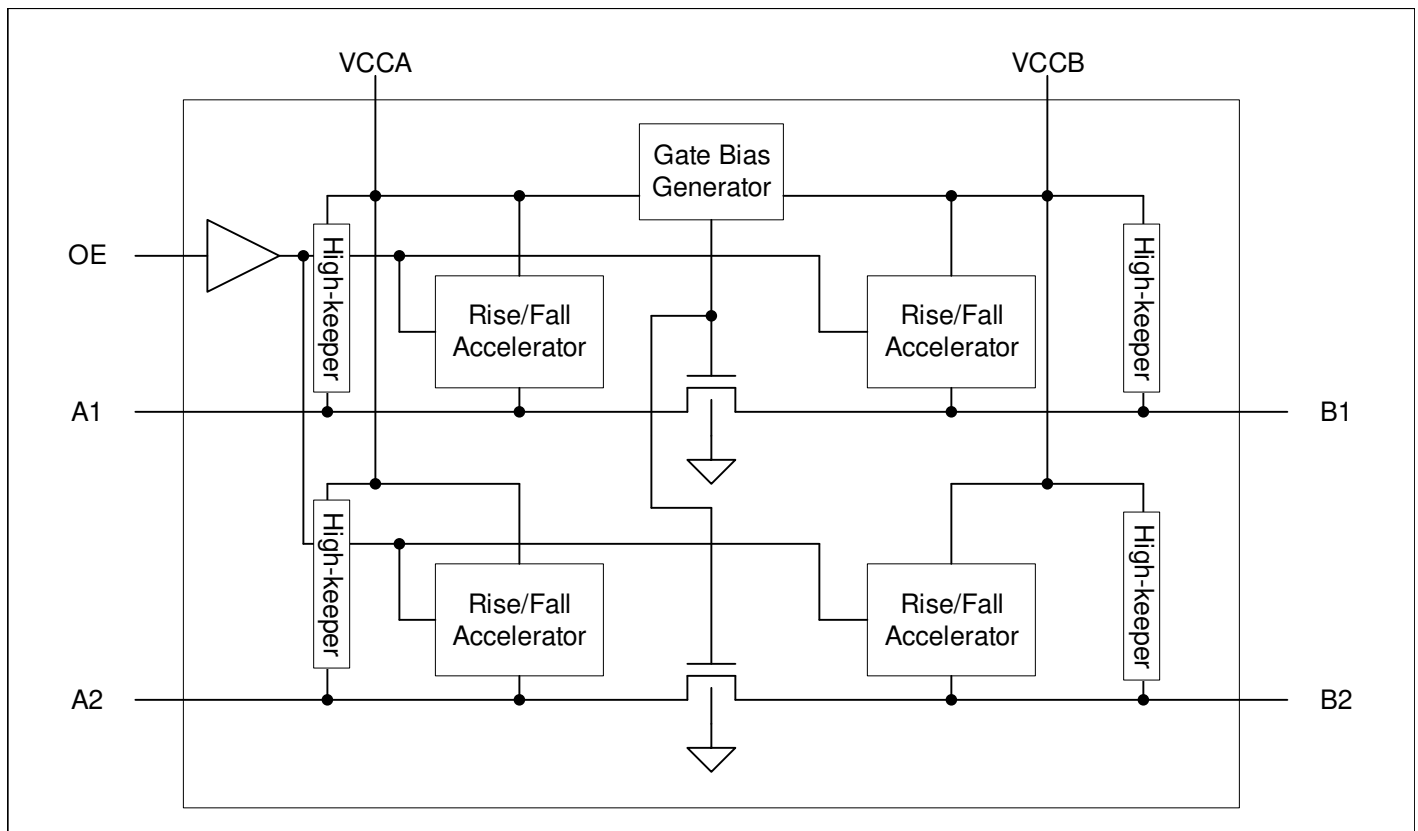
The TCA39416 device is a directionless voltage-level translator specifically designed for translating logic voltage levels. The device is [MIPI I3C v1.1.1](#) compatible supporting data rates up to 12.5 Mbps in I3C Single Data Rate (SDR) mode and 25 Mbps in I3C High Data Rate (HDR-DDR) mode. Like SDR Mode, HDR-DDR Mode uses SCL as a clock; however unlike SDR, data is sampled on both edges of clock SCL effectively doubling the data rate achieving 25 Mbps.

The A and B ports are able to accept I/O voltages ranging from 0.72 V to 1.98 V. V_{CCA} must be $\leq V_{CCB}$ to ensure proper operation. The device is a pass-gate architecture with edge-rate accelerators (one-shots) to improve the overall data rate and supports both high speed push-pull and low speed open-drain operation.

MIPI I3C specification requires dynamic pull-up control to switch between “strong pull-up” and “weak pull-up” to optimize open-drain and push-pull timing requirements. In TCA39416, the internal 10-k Ω pull-up resistors on Ax and Bx pins are enabled based on respective VCC voltage and OE input and act as High-Keeper when the bus is high.

When OE is low, the TCA39416 is disabled, the one shots and internal pull ups are also disabled.

8.2 Functional Block Diagram



8.3 Feature Description

8.3.1 Architecture

The TCA39416 architecture (see [Figure 8-1](#)) is an auto-direction-sensing based translator that does not require a direction-control signal to control the direction of data flow from A to B or from B to A.

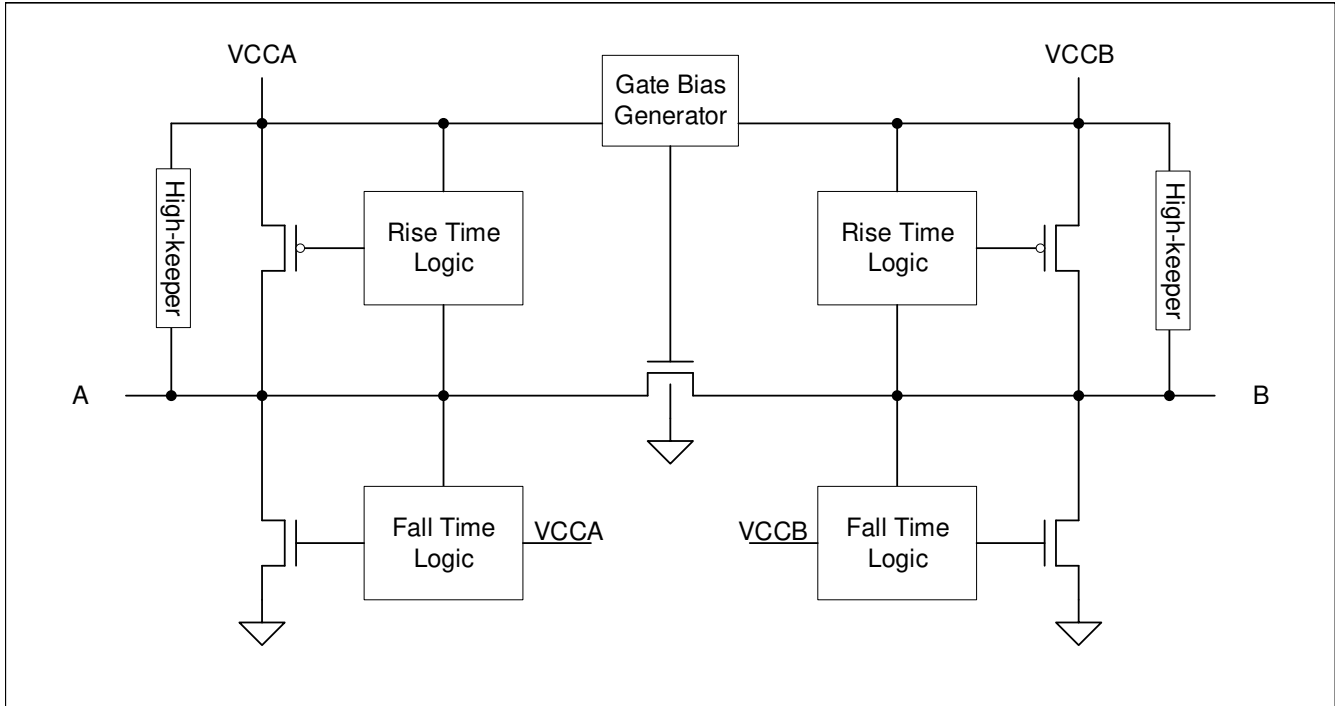


图 8-1. Architecture of a TCA39416 Cell

These two bidirectional channels support both directions of data flow without a direction-control signal. By properly biasing the gate of the pass-FET, the FET can turn on (low $R_{DS(on)}$), when either side input voltage drops to ~ 1 voltage threshold below the lowest of the two supplies.

The TCA39416 is part of the TI "Switch" type voltage translator family and employs key circuits to enable this voltage translation:

1. An N-channel pass-gate transistor topology that ties the A-port to the B-port.
2. Output rise time accelerator circuitry to detect and accelerate rising edges on the A or B ports
3. Output fall time accelerator circuitry to detect and accelerate falling edges on the A or B ports

For bidirectional voltage translation, pull up resistors are included on the device for dc current sourcing capability. The V_{GATE} gate bias of the N-channel pass transistor is set to the lower supply voltage and can be represented with V_{CCA} .

The rise and fall time accelerator (RTA and FTA, respectively) circuitry speeds up the output slew rate by monitoring the input edge for transitions, helping maintain the data rate through the device. During a low-to-high signal rising edge, the rise time accelerator (RTA) circuit turns on to increase the current drive capability of the driver. This edge-rate acceleration provides high ac drive by bypassing the internal $10\text{-k}\Omega$ pull up resistors during the low-to-high transition to speed up the signal. The output resistance of the driver is decreased to approximately $150\ \Omega$ during this acceleration phase. During a high-to-low signal falling edge, the fall time accelerator (FTA) turns on to increase the current drive capability of the driver, similar to the rise time accelerator. This helps reduce the fall time for large capacitive loads. For light capacitive loads, the fall time accelerator will not enable.

8.3.2 Enable and Disable

The TCA39416 has an OE input that is used to disable the device by setting OE low, which prevents any signals from propagating across the device. This pin is referenced to the V_{CCA} supply. The rise and fall time accelerators and the internal pull-up resistors are also disabled. The disable time (t_{dis}) indicates the delay between the time when OE goes low and when the outputs are disabled (Hi-Z). The enable time (t_{en}) indicates the amount of time the user must allow for the one-shot circuitry to become operational after OE is taken high.

8.3.3 Pull up resistors on I/O Lines

I3C Controllers manage an active (such as, dynamic) pull-up resistance on SDA, which they can enable and disable as the bus transitions between open drain and push-pull mode. The continuous DC current sourcing or sinking capability is determined by the external system-level open-drain or push-pull drivers that are interfaced to the TCA39416 I/O pins.

In TCA39416, each A-port I/O has an internal 10-k Ω pull up resistor to V_{CCA} , and each B-port I/O has an internal 10-k Ω pull up resistor to V_{CCB} . The internal pull ups of the TCA39416 are controlled by their respective supplies. The resistors have back-biasing protection, so that if a supply is off, the current cannot flow through the resistors back into the supply. When both A and B side supply is above V_{UVLO_RISE} and OE is high, the pull up resistors are enabled when the bus is high.

8.3.4 Input Driver Requirements

The continuous dc-current "sinking" capability is determined by the external system-level open-drain (or push-pull) drivers that are interfaced to the TCA39416 I/O pins. Since the high bandwidth of these bidirectional I/O circuits is used to facilitate this fast change from an input to an output and an output to an input, they have a modest dc-current "sourcing" capability of hundreds of micro-Amps, as determined by the internal 10-k Ω pullup resistors.

The fall time (t_{fA} , t_{fB}) of a signal depends on the edge-rate and output impedance of the external device driving TCA39416 data I/Os, as well as the capacitive loading on the data lines.

Similarly, the t_{PHL} and max data rates also depend on the output impedance of the external driver. The values for t_{fA} , t_{fB} , t_{PHL} , and maximum data rates in the data sheet assume that the output impedance of the external driver is below V_{OL} on both sides.

8.4 Device Functional Modes

The TCA39416 device has two functional modes, enabled and disabled. To disable the device, set the OE input low, which disables the rise time and fall time accelerators, and prevents signals from propagating across the channels. The internal pull up resistors are also affected by the OE input and are disabled when OE input is low. Setting the OE input high enables the device. The internal pull-up resistors act as High-Keeper and are enabled based on respective VCC voltage when bus is high. 表 8-1 provides functional description for TCA39416.

表 8-1. Functional table

Supply voltage ⁽⁴⁾		Input ⁽¹⁾	I/O
V_{CCA}	V_{CCB}	OE ⁽²⁾	
0.72 V to 1.98 V	0.72 V to 1.98 V	L	disconnected
0.72 V to 1.98 V	0.72 V to 1.98 V	H	A1 = B1; A2 = B2
GND ⁽³⁾	GND ⁽³⁾	X	disconnected

- (1) H = HIGH voltage level; L = LOW voltage level; X = don't care
- (2) OE is referenced to V_{CCA} . Pull OE low to place all outputs in 3-state mode.
- (3) When either V_{CCA} or V_{CCB} is at GND level, the device goes into power-down mode.
- (4) $V_{CCA} \leq V_{CCB}$.

9 Application and Implementation

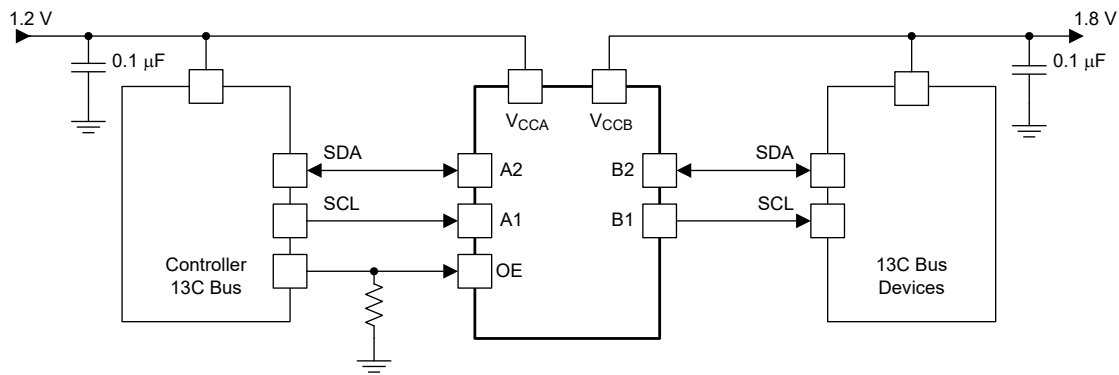
备注

Information in the following applications sections is not part of the TI component specification, and TI does not warrant its accuracy or completeness. TI's customers are responsible for determining suitability of components for their purposes, as well as validating and testing their design implementation to confirm system functionality.

9.1 Application Information

The TCA39416 can be used to bridge the digital-switching compatibility gap between two voltage nodes to successfully interface logic threshold levels found in electronic systems. It should be used in a point-to-point topology for interfacing devices or systems operating at different interface voltages with one another. The primary target application use is for interfacing with I3C push-pull drivers or open-drain drivers on the data I/Os such as I²C or SMBus, where the data is bidirectional and no control signal is available.

9.2 Typical Application



OE is referenced to V_{CCA}

图 9-1. Typical Application

9.2.1 Design Requirements

For this design example, use the parameters listed in 表 9-1.

表 9-1. Design Parameters

DESIGN PARAMETER	EXAMPLE VALUE
Input voltage range	0.72 V to 1.98 V
Output voltage range	0.72 V to 1.98 V

9.2.2 Detailed Design Procedure

To begin the design process, determine the following:

- Input voltage range
 - Use the supply voltage of the device that is driving the TCA39416 device to determine the input voltage range. For a valid logic high, the value must exceed the V_{IH} of the input port. For a valid logic low, the value must be less than the V_{IL} of the input port.
- Output voltage range
 - Use the supply voltage of the device that the TCA39416 device is driving to determine the output voltage range
 - The TCA39416 device has 10-k Ω internal pull up resistors that act as high-keepers when the I/O lines are high.

9.2.3 Application Curve

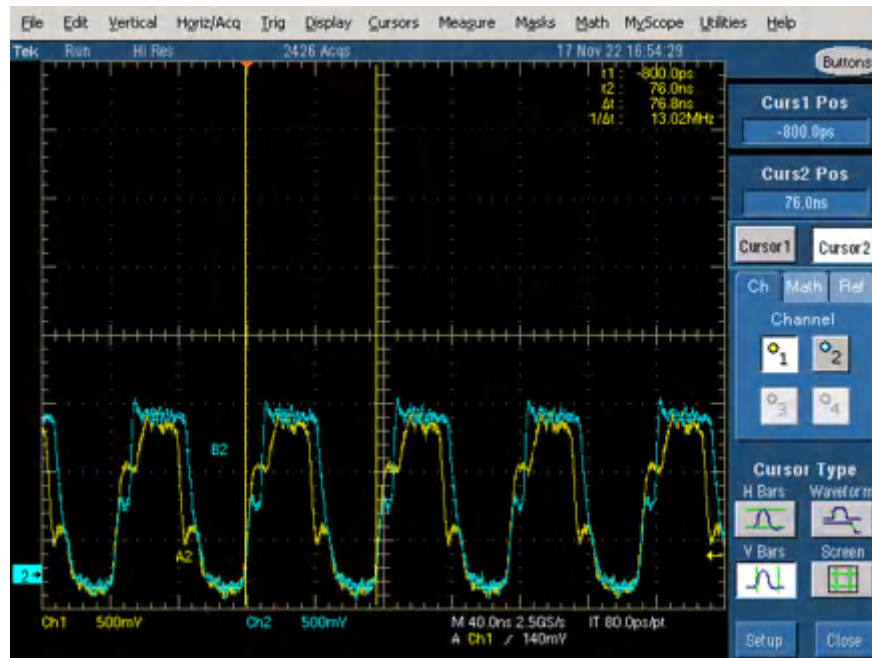


图 9-2. Level-Translation of a 12.5-MHz Signal

9.3 Power Supply Recommendations

The TCA39416 has no supply restrictions outside of the 0.72 V to 1.98 V range. V_{CCA} must be $\leq V_{CCB}$ for proper operation.

The sequencing of each power supply does not damage the device during the power up operation, so either power supply can be ramped up first. The output-enable (OE) input circuit is designed so that when the (OE) input is low, the outputs are disabled. No signals may propagate the rise time and fall time accelerators, and the internal pull up resistors are disabled. To make sure the signals do not pass through during power up or power down, the OE input pin must be tied to GND through a pull down resistor. The OE input pin should not be enabled until V_{CCA} and V_{CCB} are fully ramped and stable. If OE is tied to V_{CCA} , this is OK, but might result in a glitch on the bus during power up depending on the capacitive load and ramp rates. The minimum value of the pull down resistor to ground is determined by the current-sourcing capability of the driver.

9.4 Layout

9.4.1 Layout Guidelines

For reliability of the device, the following common printed-circuit board layout guidelines are recommended:

1. Bypass capacitors should be used on power supplies and should be placed as close as possible to the V_{CCA} , V_{CCB} pin, and G_{ND} pin.
2. Short trace lengths should be used to avoid excessive loading.
3. Keep Ax and Bx lengths close to prevent skewing the signals.
4. PCB signal trace-lengths must be kept short enough so that the round-trip delay of any reflection is less than the one-shot duration, approximately <30 ns. Making sure that any reflection encounters low impedance at the source driver.

9.4.2 Layout Example

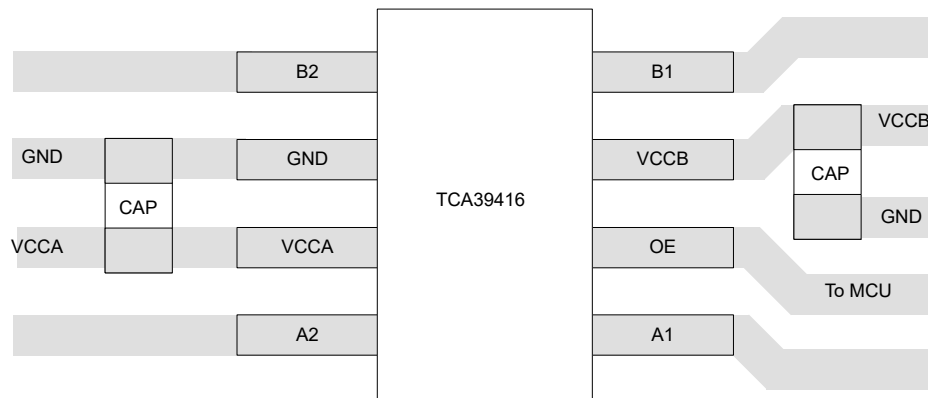


图 9-3. Layout Example (DDF)

10 Device and Documentation Support

10.1 Documentation Support

For related documentation see the following:

- Texas Instruments, [I3C - Next Generation Serial Communication Interface](#)

10.2 接收文档更新通知

要接收文档更新通知，请导航至 [ti.com](https://www.ti.com) 上的器件产品文件夹。点击 [订阅更新](#) 进行注册，即可每周接收产品信息更改摘要。有关更改的详细信息，请查看任何已修订文档中包含的修订历史记录。

10.3 支持资源

TI E2E™ 支持论坛是工程师的重要参考资料，可直接从专家获得快速、经过验证的解答和设计帮助。搜索现有解答或提出自己的问题可获得所需的快速设计帮助。

链接的内容由各个贡献者“按原样”提供。这些内容并不构成 TI 技术规范，并且不一定反映 TI 的观点；请参阅 TI 的《使用条款》。

10.4 Trademarks

TI E2E™ is a trademark of Texas Instruments.

所有商标均为其各自所有者的财产。

10.5 静电放电警告



静电放电 (ESD) 会损坏这个集成电路。德州仪器 (TI) 建议通过适当的预防措施处理所有集成电路。如果不遵守正确的处理和安装程序，可能会损坏集成电路。

ESD 的损坏小至导致微小的性能降级，大至整个器件故障。精密的集成电路可能更容易受到损坏，这是因为非常细微的参数更改都可能会导致器件与其发布的规格不相符。

10.6 术语表

[TI 术语表](#) 本术语表列出并解释了术语、首字母缩略词和定义。

11 Mechanical, Packaging, and Orderable Information

The following pages include mechanical, packaging, and orderable information. This information is the most current data available for the designated devices. This data is subject to change without notice and revision of this document. For browser-based versions of this data sheet, refer to the left-hand navigation.

PACKAGING INFORMATION

Orderable Device	Status (1)	Package Type	Package Drawing	Pins	Package Qty	Eco Plan (2)	Lead finish/ Ball material (6)	MSL Peak Temp (3)	Op Temp (°C)	Device Marking (4/5)	Samples
PTCA39416DTWR	ACTIVE	X2SON	DTW	8	5000	TBD	Call TI	Call TI	-40 to 125		Samples
TCA39416DDFR	ACTIVE	SOT-23-THIN	DDF	8	3000	RoHS & Green	NIPDAU	Level-1-260C-UNLIM	-40 to 125	2VIF	Samples

(1) The marketing status values are defined as follows:

ACTIVE: Product device recommended for new designs.

LIFEBUY: TI has announced that the device will be discontinued, and a lifetime-buy period is in effect.

NRND: Not recommended for new designs. Device is in production to support existing customers, but TI does not recommend using this part in a new design.

PREVIEW: Device has been announced but is not in production. Samples may or may not be available.

OBSOLETE: TI has discontinued the production of the device.

(2) **RoHS:** TI defines "RoHS" to mean semiconductor products that are compliant with the current EU RoHS requirements for all 10 RoHS substances, including the requirement that RoHS substance do not exceed 0.1% by weight in homogeneous materials. Where designed to be soldered at high temperatures, "RoHS" products are suitable for use in specified lead-free processes. TI may reference these types of products as "Pb-Free".

RoHS Exempt: TI defines "RoHS Exempt" to mean products that contain lead but are compliant with EU RoHS pursuant to a specific EU RoHS exemption.

Green: TI defines "Green" to mean the content of Chlorine (Cl) and Bromine (Br) based flame retardants meet JS709B low halogen requirements of <=1000ppm threshold. Antimony trioxide based flame retardants must also meet the <=1000ppm threshold requirement.

(3) MSL, Peak Temp. - The Moisture Sensitivity Level rating according to the JEDEC industry standard classifications, and peak solder temperature.

(4) There may be additional marking, which relates to the logo, the lot trace code information, or the environmental category on the device.

(5) Multiple Device Markings will be inside parentheses. Only one Device Marking contained in parentheses and separated by a "~" will appear on a device. If a line is indented then it is a continuation of the previous line and the two combined represent the entire Device Marking for that device.

(6) Lead finish/Ball material - Orderable Devices may have multiple material finish options. Finish options are separated by a vertical ruled line. Lead finish/Ball material values may wrap to two lines if the finish value exceeds the maximum column width.

Important Information and Disclaimer:The information provided on this page represents TI's knowledge and belief as of the date that it is provided. TI bases its knowledge and belief on information provided by third parties, and makes no representation or warranty as to the accuracy of such information. Efforts are underway to better integrate information from third parties. TI has taken and continues to take reasonable steps to provide representative and accurate information but may not have conducted destructive testing or chemical analysis on incoming materials and chemicals. TI and TI suppliers consider certain information to be proprietary, and thus CAS numbers and other limited information may not be available for release.

In no event shall TI's liability arising out of such information exceed the total purchase price of the TI part(s) at issue in this document sold by TI to Customer on an annual basis.

TAPE AND REEL INFORMATION

QUADRANT ASSIGNMENTS FOR PIN 1 ORIENTATION IN TAPE


*All dimensions are nominal

Device	Package Type	Package Drawing	Pins	SPQ	Reel Diameter (mm)	Reel Width W1 (mm)	A0 (mm)	B0 (mm)	K0 (mm)	P1 (mm)	W (mm)	Pin1 Quadrant
TCA39416DDFR	SOT-23-THIN	DDF	8	3000	180.0	8.4	3.2	3.2	1.4	4.0	8.0	Q3

TAPE AND REEL BOX DIMENSIONS


*All dimensions are nominal

Device	Package Type	Package Drawing	Pins	SPQ	Length (mm)	Width (mm)	Height (mm)
TCA39416DDFR	SOT-23-THIN	DDF	8	3000	210.0	185.0	35.0

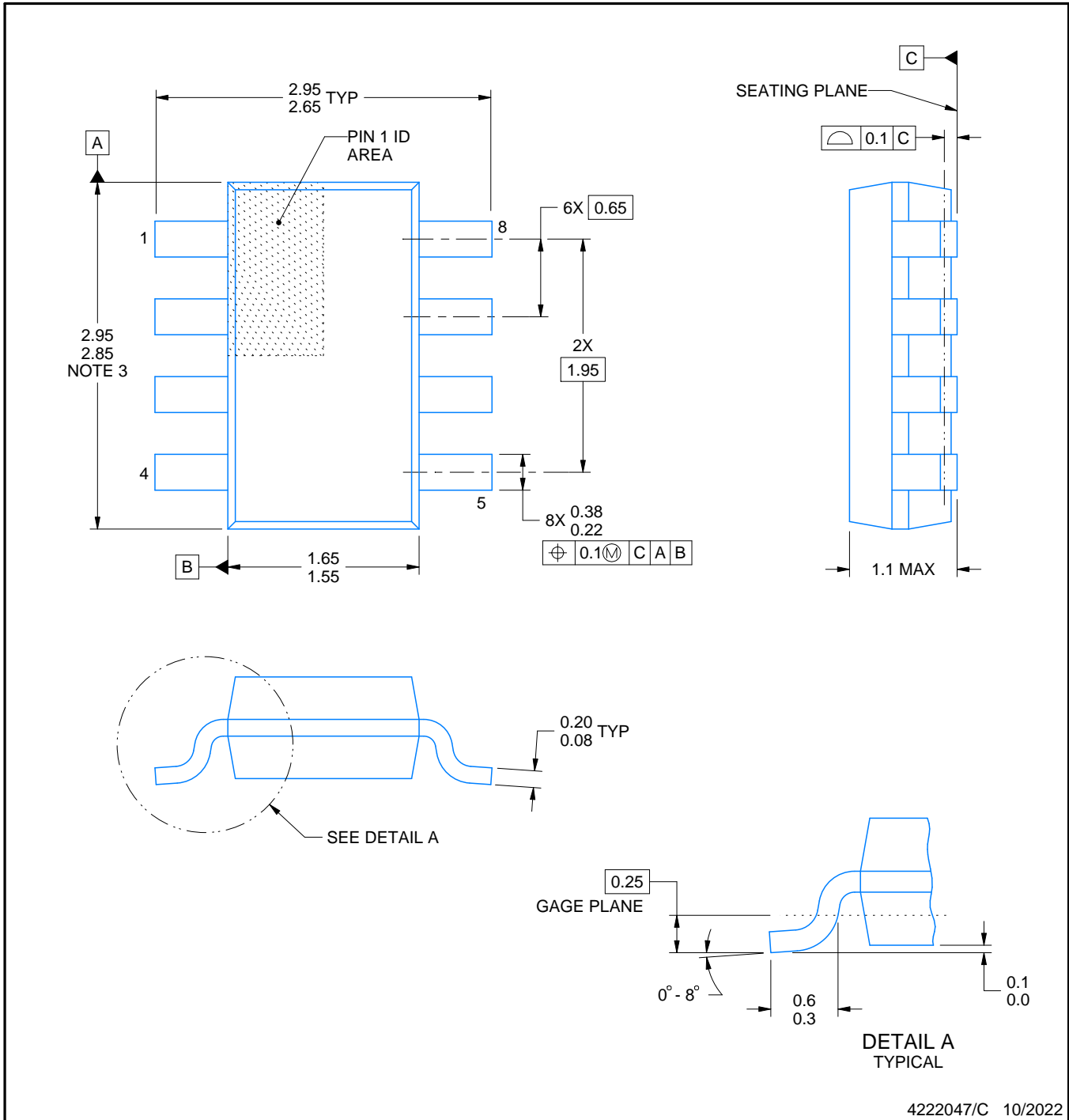
DDF0008A



PACKAGE OUTLINE

SOT-23 - 1.1 mm max height

PLASTIC SMALL OUTLINE



4222047/C 10/2022

NOTES:

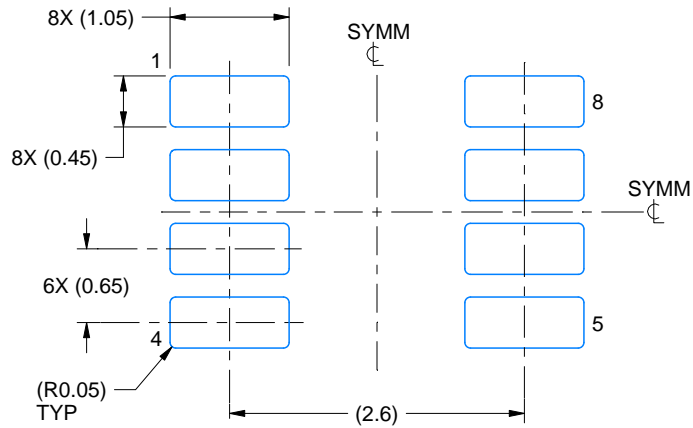
1. All linear dimensions are in millimeters. Any dimensions in parenthesis are for reference only. Dimensioning and tolerancing per ASME Y14.5M.
2. This drawing is subject to change without notice.
3. This dimension does not include mold flash, protrusions, or gate burrs. Mold flash, protrusions, or gate burrs shall not exceed 0.15 mm per side.

EXAMPLE BOARD LAYOUT

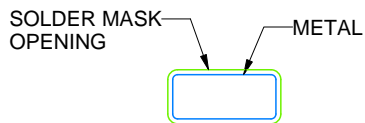
DDF0008A

SOT-23 - 1.1 mm max height

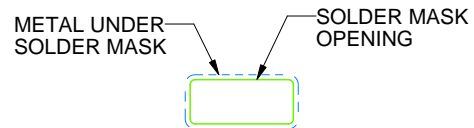
PLASTIC SMALL OUTLINE



LAND PATTERN EXAMPLE
SCALE:15X



NON SOLDER MASK
DEFINED



SOLDER MASK
DEFINED

SOLDER MASK DETAILS

4222047/C 10/2022

NOTES: (continued)

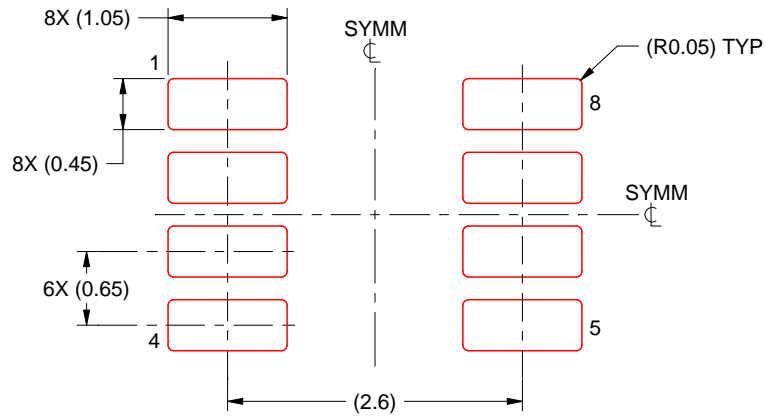
4. Publication IPC-7351 may have alternate designs.
5. Solder mask tolerances between and around signal pads can vary based on board fabrication site.

EXAMPLE STENCIL DESIGN

DDF0008A

SOT-23 - 1.1 mm max height

PLASTIC SMALL OUTLINE



SOLDER PASTE EXAMPLE
BASED ON 0.125 mm THICK STENCIL
SCALE:15X

4222047/C 10/2022

NOTES: (continued)

6. Laser cutting apertures with trapezoidal walls and rounded corners may offer better paste release. IPC-7525 may have alternate design recommendations.
7. Board assembly site may have different recommendations for stencil design.

重要声明和免责声明

TI“按原样”提供技术和可靠性数据（包括数据表）、设计资源（包括参考设计）、应用或其他设计建议、网络工具、安全信息和其他资源，不保证没有瑕疵且不做任何明示或暗示的担保，包括但不限于对适销性、某特定用途方面的适用性或不侵犯任何第三方知识产权的暗示担保。

这些资源可供使用 TI 产品进行设计的熟练开发人员使用。您将自行承担以下全部责任：(1) 针对您的应用选择合适的 TI 产品，(2) 设计、验证并测试您的应用，(3) 确保您的应用满足相应标准以及任何其他功能安全、信息安全、监管或其他要求。

这些资源如有变更，恕不另行通知。TI 授权您仅可将这些资源用于研发本资源所述的 TI 产品的应用。严禁对这些资源进行其他复制或展示。您无权使用任何其他 TI 知识产权或任何第三方知识产权。您应全额赔偿因在这些资源的使用中对 TI 及其代表造成的任何索赔、损害、成本、损失和债务，TI 对此概不负责。

TI 提供的产品受 [TI 的销售条款](#) 或 [ti.com](#) 上其他适用条款/TI 产品随附的其他适用条款的约束。TI 提供这些资源并不会扩展或以其他方式更改 TI 针对 TI 产品发布的适用的担保或担保免责声明。

TI 反对并拒绝您可能提出的任何其他或不同的条款。

邮寄地址：Texas Instruments, Post Office Box 655303, Dallas, Texas 75265

Copyright © 2023，德州仪器 (TI) 公司